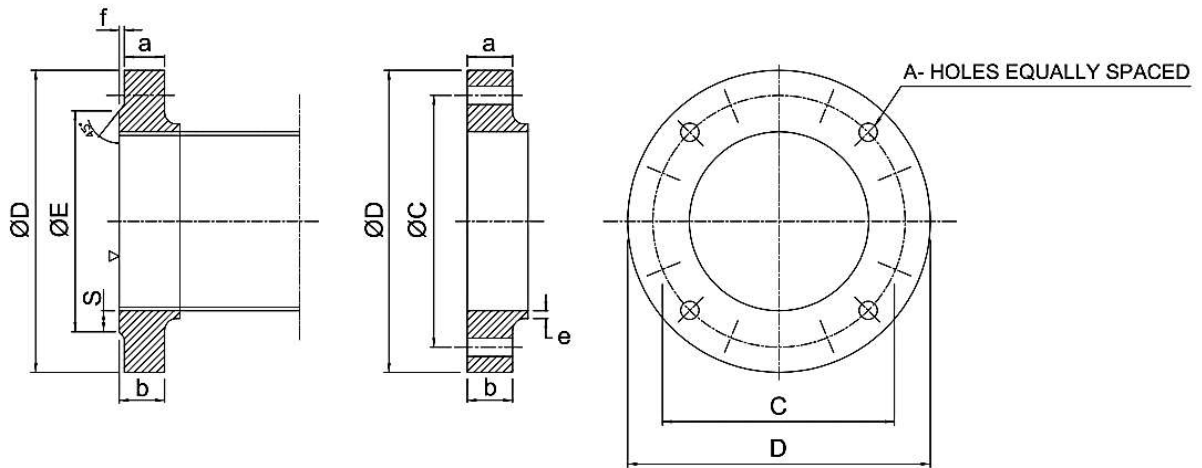


Table 5 Dimensions of Screwed Flanges of Pipes and Standard Flange Drilling of Flanged Pipes

(Clause 13.4)



All dimensions in millimetres

SI No.	Nominal Diameter	Dimension								Holes		
		DN mm	c	D	E	b	a	r	f	s	Number	Diameter
(1)	(2)	(3)	(4)	(5)	(6)	(7)	(8)	(9)	(10)	(11)	(12)	(13)
i)	80	160	200	132	21.0	42	6	3	17	4	19	16
ii)	100	180	220	156	22.0	44	6	3	18	8	19	16
iii)	125	210	250	184	22.5	45	6	3	19	8	19	16
iv)	150	240	285	211	23.0	46	6	3	20	8	23	20
v)	200	295	340	266	24.5	49	6	3	22	8	23	20
vi)	250	350	395	319	26.0	52	6	3	24	12	23	20
vii)	300	400	445	370	27.5	55	8	4	26	12	23	20
viii)	350	460	505	429	29.0	58	8	4	28	16	23	20
ix)	400	515	565	480	30.0	61	8	4	30	16	28	24
x)	450	565	615	527	31.5	64	8	4	32	20	28	24
xi)	500	620	670	582	33.0	67	8	4	34	20	28	24
xii)	600	725	780	682	36.0	70	8	5	38	20	31	27
xiii)	700	840	895	794	38.5	73	9	5	40	24	31	27
xiv)	750	900	960	857	40.0	76	9	5	40	24	31	27
xv)	800	950	1 015	901	41.5	79	9	5	42	24	34	30
xvi)	900	1 050	1 115	1 001	44.0	82	9	5	44	28	34	30
xvii)	1 000	1 160	1 230	1 112	47.0	85	9	5	46	28	37	33