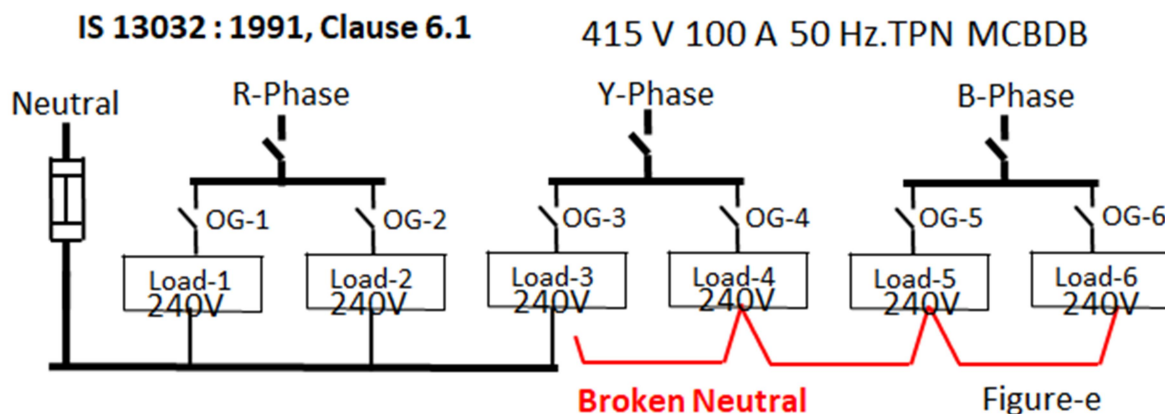


VI. IS 13032 : 1991 clause 6.1 Preferred Rated Voltages

“The preferred Rated Voltages are 240 V and 415 V.”



1. The preferred Rated Voltages are 240 V and 415 V and an accidental feeding of a 240 volt device with 415 voltage is legal as per Clause 6.1 (refer Figure-e). This will make a 240 volt rated device working with 415 volts in series with other switched load in such a way that one load with overcurrent and the other load with over voltage until a possible fire hazard in that premise.
2. The accidental feeding of 240 volt rated device with 415 volts suddenly increase fault level KVA rating from 240 volts to 415 volts and increase heat rise in that load towards the unlikely event of electrical fire hazard (refer to Figure-e).

IS 13032 : 1991

Recommended Changes

(To be deleted shown with line and to be added shown bolded)

6.1 Preferred rated voltage

The preferred rated voltages ~~are~~ **is 240 V for all out going and 240 V and or 415 V for incoming.**

IS 13032 : 1991 Clause 6.1 (after correction)

6.1 Preferred rated voltage

The preferred rated voltage is 240 V for all out going and 240 V or 415 V for incoming.