

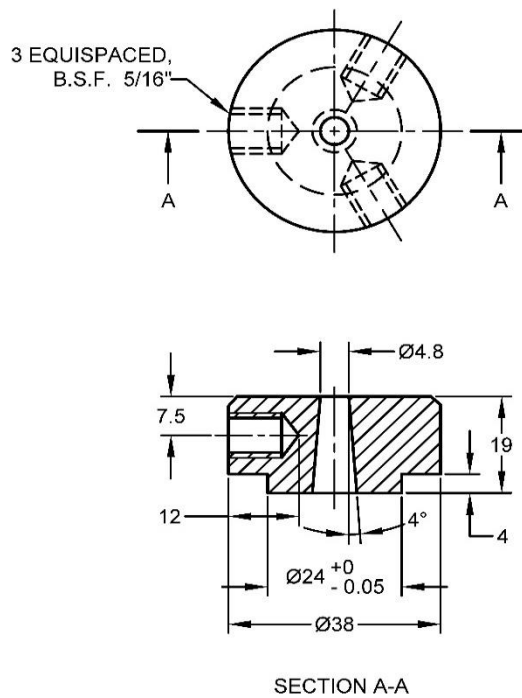
**BUREAU OF INDIAN STANDARDS**  
**DRAFT FOR COMMENTS ONLY**

*(Not to be reproduced without permission of BIS or used as Standard)*

**Draft AMENDMENT NO. 1**  
**TO**  
**IS 5912 : 1997**  
**SPECIFICATION FOR ANEMOMETER, CUP COUNTER**  
*(First Revision)*

*(Page 5, clause 6.1.2)* — Substitute the following for the existing clause:

**‘6.1.2** The three cups shall be fixed firmly to the central spider in a perfect vertical plane in such a way that they are well balanced with each other without showing any bias to any particular position (*see Fig.2*). The mounting of the cups shall be firm enough to withstand even a wind speed of 200 km/h or more’.



All dimensions in millimetres.

FIG. 2 SPIDER