

BUREAU OF INDIAN STANDARDS

DRAFT FOR COMMENTS ONLY

(Not to be reproduced without permission of BIS or used as an Indian Standard)

भारतीय मानक मसौदा

**न्यूरोसर्जिकल उपकरण - संदंश, धमनी, सपाट पर सीधे और
घुमावदार, ह्यूग कैरन पैटर्न - आकार और लंबाई-चौड़ाई**

(IS 8175 का दूसरा पुनरीक्षण)

Draft Indian Standard

**Neurosurgical Instruments - Forceps, Artery, Straight and Curved
on Flat, Hugh Cairn's Pattern - Shape and Dimensions**

(Second Revision of IS 8175)

[ICS 11.040.30]

Neurosurgery Instruments Implants and
Accessories Sectional Committee, MHD 7

Last date for comments: 12 **July, 2024**

FOREWORD

(Formal clause will be added later)

This standard was originally published in 1976. The Second revision of this standard has been brought out to align it with recent developments and to bring the standard in line with the latest style and format of Indian Standards.

It has been revised to cover the requirements in respect of shape and dimensions only, as the specification part of these types of instruments is covered in IS 3642 (Part 1): 1990 'Surgical instruments - Specification: Part 1 Non-cutting, articulated instruments (second revision)'. This standard is, therefore, intended to be used only in respect of shape and dimensions, which are referred to in 4.1 of IS 3642 (Part 1): 1990.

For the purpose of deciding whether a particular requirement of this standard is complied with the final value, observed or calculated, expressing the result of a test or analysis shall be rounded off in accordance with IS 2: 2022 'Rules for rounding off numerical values (second revision)'. The number of significant places retained in the rounded off value should be same as that of the specified value in this standard.

*Indian Standard***NEUROSURGICAL INSTRUMENTS -FORCEPS, ARTERY, STRAIGHT AND CURVED
ON FLAT, HUGH CAIRN'S PATTERN - SHAPE AND DIMENSIONS****1 SCOPE**

This standard prescribes shape and dimensions for straight and curved on flat, Hugh Cairn's pattern, artery forceps used in neurosurgery.

2 REFERENCES

The standards given below contain provisions, which, through reference in this text, constitute provisions of this standard. At the time of publication, the editions indicated were valid. All standards are subject to revision, and parties to agreements based on this standard are encouraged to investigate the possibility of applying the most recent editions of these standards.

| <i>IS No.</i> | <i>Title</i> |
|-------------------------|---|
| IS 3642 (Part 1) : 1990 | Surgical instruments - Specification: Part 1 non - Cutting, articulated instruments (Second Revision) |

3 SHAPE AND DIMENSIONS

3.1 The shape and dimensions for the straight and curved on flat forceps shall be as shown in Fig. 1 and 2, respectively.

3.2 Tolerances

Tolerances on dimensions shall be as specified in **4.2** of IS 3642(Part 1).

3.3 Mass

The mass of the instrument shall be 25 ± 3 g.

3.4 Tip

The forceps shall have either plain or toothed tip. The toothed tip shall be of 1 in 2 teeth type and shall conform to the requirements given in **Section 5** of IS 3642(Part 1).

3.5 Serrations

The serrations shall be transverse and shall match crest to trough. They shall be clear, of uniform depth throughout, and true and square with the jaws of the instrument.

3.6 Ratchet

The ratchet teeth shall conform to the requirements given in **Section 4** of IS 3642(Part 1) combination of 1 in 2 for straight and 3 in 3 or 1 in 2 for curved on flat type forceps.

3.6.1 The ratchet teeth shall be so designed that the load at which the first ratchet just Engages shall be between 2.0 to 2.5 kgf.

3.7 Joint

The joint shall be box type in accordance with **13.2.2** of IS 3642(Part 1)

3.8 Finger Loops

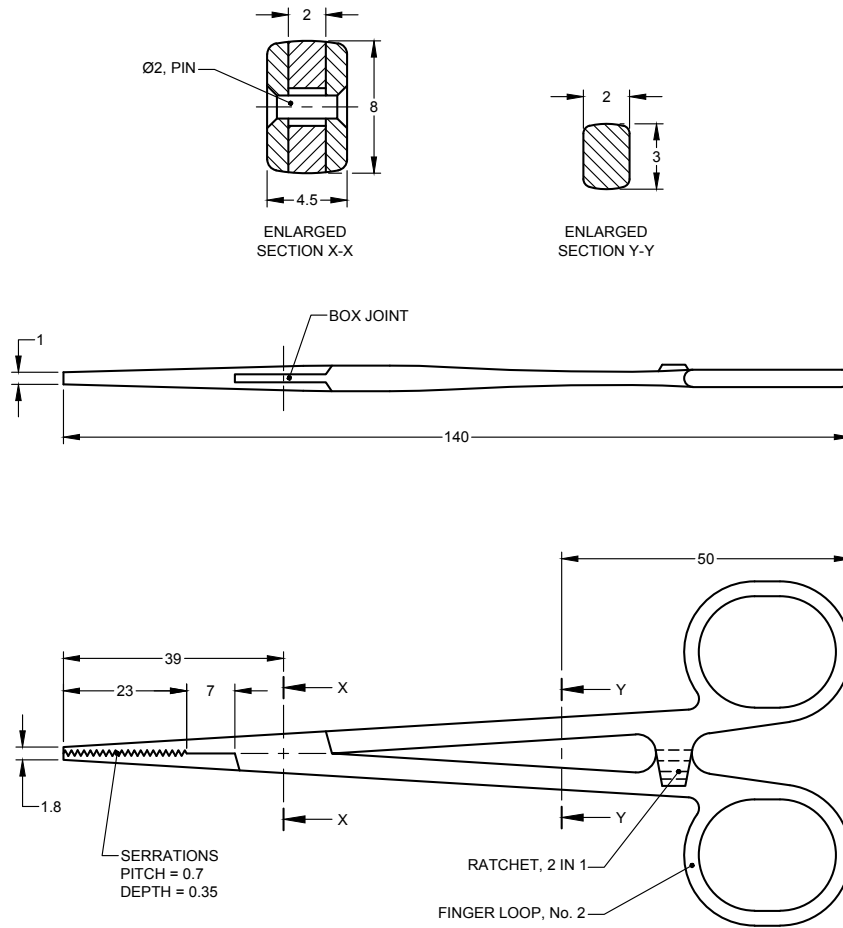
The finger loops shall conform to Size No. 2 of Section 6 of IS 3642(Part 1).

4 BIS Certification Marking

The product(s) conforming to the requirements of this standard may be certified as per the conformity assessment schemes under the provisions of the Bureau of Indian Standards Act, 2016 and the Rules and Regulations framed thereunder, and the product(s) may be marked with the Standard Mark.

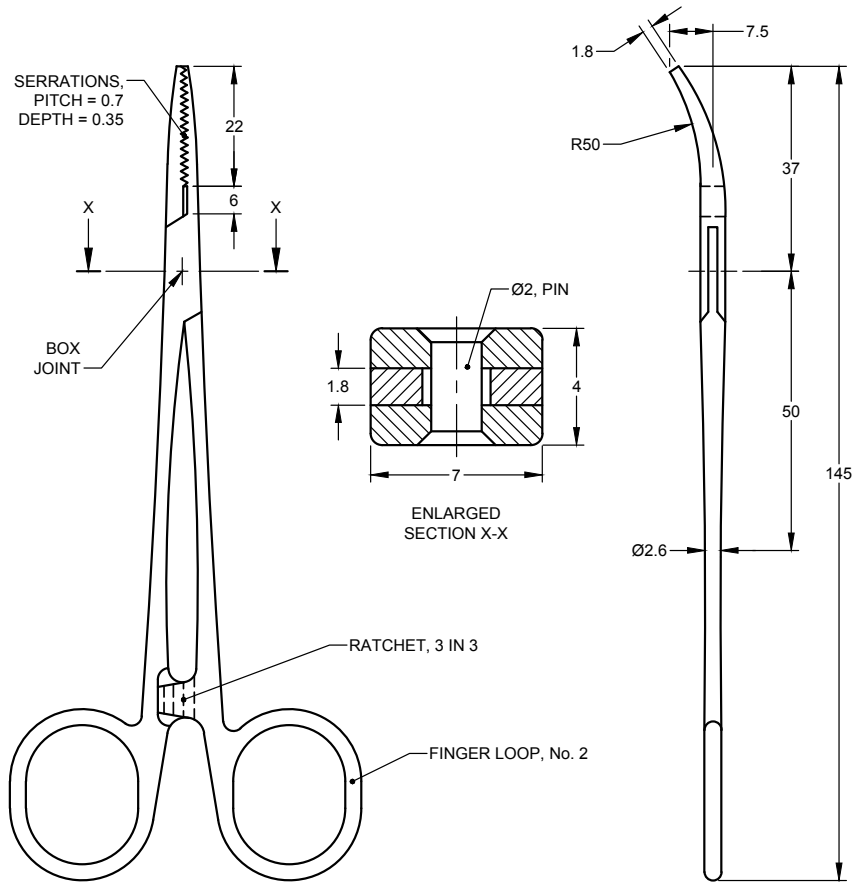
5 Packaging

Each product shall be wrapped in a moisture-proof paper or polyethylene bag and packed in a suitable cardboard carton. The packing may also be done as agreed between the purchaser and the supplier. On the package of the product batch Number, Lot Number, and Serial Number shall be mentioned.



All dimensions in millimetres.

FIG. 1 FORCEPS, ARTERY, STRAIGHT, HUGH CAIRN'S PATTERN



All dimensions in millimetres.

FIG. 2 FORCEPS, ARTERY, CURVED ON FLAT, HUGH CAIRN'S PATTERN