

BUREAU OF INDIAN STANDARDS
DRAFT FOR COMMENTS ONLY

(Not to be reproduced without the permission of BIS or used as an Indian Standard)

भारतीय मानक मसौदा
फसल सुरक्षा उपस्कर — वायु चलित फुहारा — नोजल स्विवेल नटो के आयाम
(आईएस 15921 पहला पुनरीक्षण)

Draft Indian Standard

EQUIPMENT FOR CROP PROTECTION —
AIR-ASSISTED SPRAYERS — DIMENSIONS OF
NOZZLE SWIVEL NUTS
(First Revision of IS 15921)

ICS 65.060.40

Agricultural Machinery and Equipment Sectional
Committee, FAD 11

Last date for Comments: **14 April 2024**

FOREWORD

Formal clause will be added later

Swivel nuts of nozzles are important component of air-assisted sprayers. The nozzle output is very often determined, when testing air-assisted sprayers. It is necessary to fit measurement devices to the swivel nuts to collect the liquid. Therefore, standardization of outer dimensions of the nuts, may help to reduce the number of fitting pieces used and thus enabling the simplification of the testing procedure.

The standard was first published in 2011 as an identical adoption of ISO 14710 : 1996 'Equipment for crop protection — Air-assisted sprayers — Dimensions of nozzle swivel nuts'. However, the ISO standard has now been withdrawn. Considering the relevance of the standard in Indian context, the standard is being revised by converting it into an Indigenous Standard.

For the purpose of deciding whether a particular requirement of this standard is complied with, the final value, observed or calculated, expressing the result of a test or analysis shall be rounded off in accordance with IS 2 : 2022 'Rules for rounding off numerical values (*second revision*)'. The number of significant places retained in the rounded off value should be the same as that of the specified value in this standard.

Draft Indian Standard

**EQUIPMENT FOR CROP PROTECTION —
AIR-ASSISTED SPRAYERS — DIMENSIONS OF
NOZZLE SWIVEL NUTS**
(first revision of IS 15921)

1. SCOPE

This Indian Standard specifies the outer dimensions of the swivel nuts of nozzles for air-assisted sprayers.

The defined dimensions simplify the fitting of measurement devices to the swivel nuts (for example, for the determination of the nozzle output).

2. DIMENSIONS

The swivel nuts **shall** be conical with outer dimensions that correspond to Fig. 1 and Table 1.

Table 1 Dimensions of Nuts
(All Dimensions in millimetres)

d ± 0.1	l min.
25	15
30	15
35	15
40	15

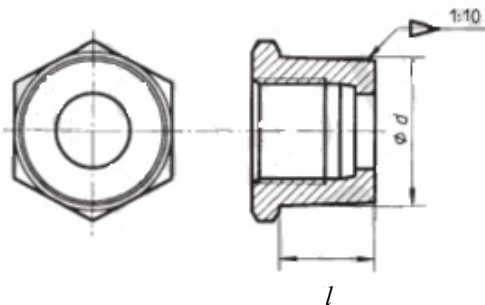


FIG. 1 TYPICAL DIAGRAM OF A SWIVEL NUT