



# भारतीय मानक ब्यूरो BUREAU OF INDIAN STANDARDS

MANAK BHAVAN, 9 BAHADUR SHAH ZAFAR MARG, NEW DELHI 110002

## व्यापक परिचालन मसौदा

हमारा संदर्भ: सीईडी 35/टी-63

02/05/2024

तकनीकी समिति : फर्नीचर विषय समिति, सीईडी 35

### प्राप्तकर्ता :

- क) सिविल इंजीनियरी विभाग परिषद्, सीईडीसी के सभी सदस्य
- ख) फर्नीचर, सीईडी 35 के सभी सदस्य
- ग) रूचि रखने वाले अन्य निकाय

प्रिय महोदय/महोदया,

निम्नलिखित मानक का मसौदा संलग्न है:

प्रलेख संख्या	शीर्षक
सीईडी 35 (25523) WC	सामान्य कार्यों के लिए कुर्सियाँ और स्टूल — विशिष्टि (IS 17632 : 2022 का पहला संशोधन) (ICS 97.140)

कृपया इस मानक के संशोधन के मसौदे का अवलोकन करें और अपनी सम्मतियों यह बताते हुए भेजे कि यदि यह मानक के पहले संशोधन के रूप में प्रकाशित हो तो इस पर अमल करने में आपके व्यवसाय अथवा कारोबार में क्या कठिनाइयाँ आ सकती हैं।

सम्मतियों भेजने की अंतिम तिथि : **01 जुलाई 2024**

सम्मति यदि कोई हो तो कृपया अधोहस्ताक्षरी को उपरिलिखित पते पर संलग्न फॉर्मेट में भेजें या [ced35@bis.gov.in](mailto:ced35@bis.gov.in) पर ईमेल कर दें।

यदि कोई सम्मति प्राप्त नहीं होती है अथवा सम्मति में केवल भाषा सम्बन्धी त्रुटि हुई तो उपरोक्त प्रलेख को यथावत अंतिम रूप दिया जाएगा। यदि सम्मित तकनीकी प्रकृति की हुई विषय समिति के अध्यक्ष के परामर्श से अथवा उनकी इच्छा पर आगे की कार्यवाही के लिए विषय समिति को भेजे जाने के बाद प्रलेख को अंतिम रूप दे दिया जाएगा।

यह प्रलेख भारतीय मानक ब्यूरो की वेबसाइट [www.bis.gov.in](http://www.bis.gov.in) पर भी उपलब्ध हैं।

धन्यवाद।

भवदीय,

(द्वैपायन भद्रा)  
प्रमुख (सिविल इंजीनियरी)

संलग्नक : उपरिलिखित



# भारतीय मानक ब्यूरो BUREAU OF INDIAN STANDARDS

MANAK BHAVAN, 9 BAHADUR SHAH ZAFAR MARG, NEW DELHI 110002

## DRAFT IN WIDE CIRCULATION

Our Ref: CED 35/T- 63

02/05/2024

TECHNICAL COMMITTEE: FURNITURE SECTIONAL COMMITTEE, CED 35

### ADDRESSED TO:

- All Members of Civil Engineering Division Council, CEDC
- All Members of Furniture Sectional Committee, CED 35
- All others Interests

Dear Sir/Madam,

Please find enclosed the following document:

Doc No.	Title
CED 35(25523) WC	<b>GENERAL PURPOSE CHAIRS AND STOOLS — SPECIFICATION</b> (First Amendment of IS 17632: 2022) (ICS 97.140)

Kindly examine the draft amendment to the Indian standard and forward your views stating any difficulties, which you are likely to experience in your business or profession, if this is finally adopted as amendment to the Indian standard.

Last Date for comments: **01 July 2024**

Comments if any, may please be made in the enclosed format and mailed to the undersigned at the above address or preferably through e-mail to [ced35@bis.gov.in](mailto:ced35@bis.gov.in).

In case no comments received or comments received are of editorial nature, you will kindly permit us to presume your approval for the above document as finalized. However, in case of comments of technical in nature are received then it may be finalized either in consultation with the Chairperson, Sectional Committee or referred to the Sectional Committee for further necessary action if so desired by the Chairperson, Sectional Committee.

The document is also hosted on BIS website [www.bis.gov.in](http://www.bis.gov.in).

Thanking you,

Yours faithfully,

(Dwaipayan Bhadra)  
Head (Civil Engineering)

Encl: as above

**DRAFT FOR COMMENTS ONLY**

*(Not to be reproduced without the permission of BIS or used as an amendment to Standard)*

---

Furniture  
Sectional Committee, CED 35

Last Date of Comments:  
01 July 2024

---

**DRAFT AMENDMENT NO. 1  
TO  
IS 17632 : 2022 GENERAL PURPOSE CHAIRS AND STOOLS – SPECIFICATION**

*(Page 1, clause 5, Note)* – Substitute the following with the existing note:

‘NOTE — Any other dimensions and design specifications of chairs may be used as agreed between the manufacturer and the purchaser or as declared by the manufacturer as per design requirements as per the design requirements.’

*(Page 2, clause 6, title)* – Substitute the following with the existing:

**‘RAW MATERIALS REQUIREMENTS’**

*(Page 2, clause 6.1)* – Delete the existing clause.

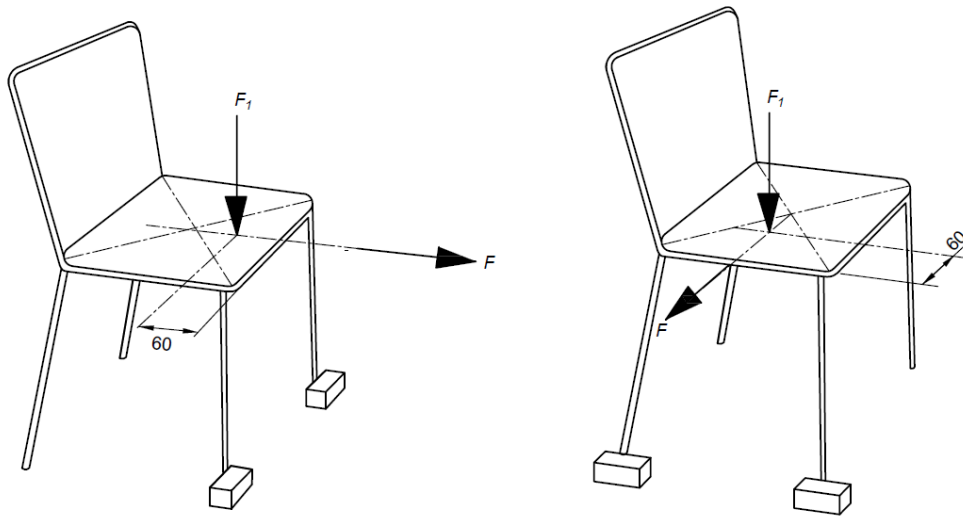
*(Page 2, clause 6.2, first paragraph, first sentence)* – Substitute the following with the existing:

‘For fabric and/or leather (synthetic and natural) surfaces, the raw materials shall be tested for the following tests (as applicable) and shall conform the minimum performance requirements specified in IS 17637.’

*(Page 2, clause 6.2, last paragraph)* – Substitute the following with the existing:

‘The above mentioned tests shall be carried-out on raw materials (as applicable) used in manufacturing of the chair and stool not on assembled chair and stool.’

(Page 3, figure 1) – Substitute the following with the figure:



All dimensions in millimetres

FIG. 1 FORWARDS OVERBALANCING AND SIDEWAYS OVERBALANCING FOR CHAIRS WITHOUT ARMS

(Page 16, clause 9.1) – Insert the following at the end:

‘e) Type of chair or stool that is Type 1 or Type 2.’

(Page 17, clause A-1, second paragraph, line 1) – Substitute the following with the existing:

‘All the safety tests shall be carried out on samples from same lot.’

(Page 17, clause A-4, first sentence) – Substitute the following with the existing:

‘All applicable tests as mentioned in 7 shall be carried out on the samples from same lot and in the sequence as the clauses are numbered in each stability tests, strength tests and durability tests separately.’

(CED 35)