

All dimensions in millimetres.

FIG. 1 DIAGRAM SHOWING STANDARD TORSION SPECIMEN

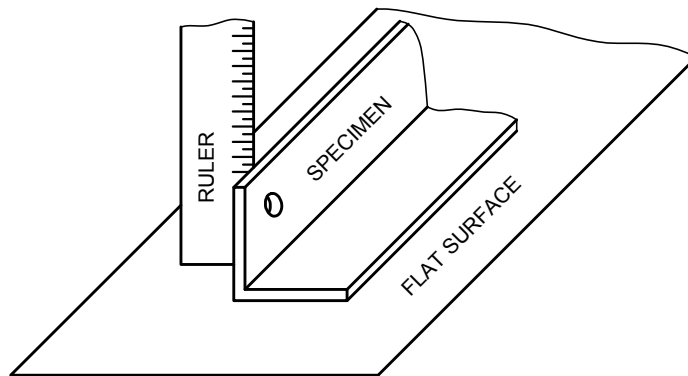


FIG. 2 SKETCH SHOWING METHOD OF MEASURING WIDTH OF FORMED SPECIMEN