



भारतीय मानक

IS 7032 (Part 1 to 9) : 2024

Indian Standard

वस्त्रादि — बिना कटे भारतीय जूट, मेस्टा
और बिमली रेशों के भौतिक विशेषताएँ—
परीक्षण पद्धतियाँ

(दूसरा पुनरीक्षण)

Textiles — Physical Characteristics
of Uncut Indian Jute, *Mesta* and
Bimli Fibres — Methods of Test
(Second Revision)

ICS 59.060.10

© BIS 2024



भारतीय मानक ब्यूरो

BUREAU OF INDIAN STANDARDS

मानक भवन, 9 बहादुर शाह ज़फर मार्ग, नई दिल्ली - 110002

MANAK BHAVAN, 9 BAHADUR SHAH ZAFAR MARG

NEW DELHI - 110002

www.bis.gov.in www.standardsbis.in

November 2024

Price Group 11

FOREWORD

This Indian Standard (Part 1 to 9) (Second Revision) was adopted by the Bureau of Indian Standards, after the draft finalized by the Physical Methods of Test Sectional Committee had been approved by the Textiles Division Council.

This standard was first published between 1973 and 1976, and subsequently revised in 1986. Initially, this standard consisted of nine parts (Part 1 to 9) which covered methods of test for various characteristics of jute fibres. In the first revision, the method for determination of brightness (colour) (Part 9) was withdrawn.

The following standards have been published for grading of different type of jute, *Mesta* and *Bimli* fibers.

- a) IS 271 'Grading of white, *tossa* and *daisee* uncut Indian Jute (*fifth revision*)';
- b) IS 9846 'Grading of uncut Indian *Mesta*'; and
- c) IS 11596 'Specification for grading of uncut Indian *Bimli*'.

These standards have brought out into consideration the characteristics such as strength, lustre, colour, density, fineness, root content and defects, etc, for grading of fibres. Previously, these grading standards prescribe the 'hand and eye method' for grading and allot scores for different characteristics. However, this revision of the standard prescribes the digital grading instruments for jute such as digital automatic bundle strength tester, digital fineness meter and digital colour meter developed by ICAR - National Institute of Natural Fiber Engineering and Technology, Kolkata.

In this revision of the standard, following major modifications have been made:

- a) Test method of various digital jute grading instruments such as digital automatic bundle strength tester, digital fineness meter and digital colour meter for grading of jute fibre has been incorporated;
- b) Test method for measurement of colour has been included;
- c) All amendments have been incorporated;
- d) Test report formats have been modified; and
- e) References to standards have been updated.

This revision of the standard contains the below-mentioned parts:

Part 1	General
Part 2	Reed length
Part 3	Root content
Part 4	Defects
Part 5	Foreign matter
Part 6	Bulk density
Part 7	Bundle strength
Part 8	Fineness
Part 9	Colour

This standard is aimed at obtaining instrumental measures for characteristics of jute, *Mesta* and *Bimli* fibres for the purpose of grading. To achieve this aim only those methods, which are simple and could be adopted by the graders with the minimum of effort and where scoring could be possible, have been selected after a survey of the work done by research institutions, the published literature and also keeping in view the type of instruments available with the industry.

(Continued on third cover)

Indian Standard

TEXTILES — PHYSICAL CHARACTERISTICS OF UNCUT INDIAN JUTE, *MESTA* AND *BIMLI* FIBRES — METHODS OF TEST

PART 1 GENERAL

1 SCOPE

This standard (Part 1) prescribes the definitions of terms, sampling procedure and atmospheric conditions for testing of uncut Indian jute (white and *tossa*), *Mesta* and *Bimli* fibres.

2 REFERENCES

The standards given below contain provisions which, through reference in this text, constitute provisions of this standard. At the time of publication, the editions indicated were valid. All standards are subject to revision, and parties to agreements based on this standard are encouraged to investigate the possibility of applying the most recent edition of these standards:

<i>IS No.</i>	<i>Title</i>
IS 196 : 2024	Atmospheric conditions for testing (<i>first revision</i>)
IS 271 : 2020	Textiles — Grading of <i>White</i> , <i>Tossa</i> and <i>Daisee</i> uncut Indian jute (<i>fifth revision</i>)
IS 6359 : 2023	Method for conditioning of textiles (<i>first revision</i>)
IS 9846 : 1981	Grading of uncut Indian <i>Mesta</i>
IS 11596 : 1986	Specification for grading of uncut Indian <i>Bimli</i>

3 TERMINOLOGY

For the purpose of this standard, the following definitions shall apply.

3.1 Defects

- a) Major — Entangled croppy end fibre, centre root, dazed and overrated fibres, mossy fibre, runners, knots, entangled sticks and hunka; and
- b) Minor — Croppy fibre, weak croppy fibre, gummy fibre, loose sticks, specks, leaf and loose leaf.

3.1.1 Centre Root (*BUK CHHAL*) — The hard barkly region in the middle part of the reed which requires additional softening treatment.

3.1.2 Croppy Fibre — Fibre with top ends rough and hard (but not barkly) caused by careless retting.

3.1.2.1 Entangled croppy end fibre — Fibre with an unusually entangled croppy end.

3.1.2.2 Weak croppy fibre — Fibre which has become unusually weak over a length of about 30 cm at the top end.

3.1.3 Dazed Fibre — Fibre which is weak in strength and dull in appearance, due to usually being stored in moist condition.

3.1.4 Gummy Fibre — Fibres held together by undissolved pectinous matter.

3.1.5 Hunka — The very hard barkly fibre running continuously from the lower end to almost the tip of the reed.

3.1.6 Knots — Stiff barkly spots in the body of the reed which break the continuity of the fibres when opened.

3.1.7 Leaf and Loose Leaf — It is the dark grey leafy or paper like substance (remnant of the skin of the plant) appearing on the strand. Loose leaves are those that lie loosely on the fibre and are easily removable.

3.1.8 Mossy Fibre — A type of vegetation which sometimes gets attached to the plant. Its portions may remain on the fibre even after retting and washing. It can be separated by hand.

3.1.9 Over-Retted Fibre — Fibre which has lost its strength and brightness on decomposition due to prolonged retting.

3.1.10 Runners — Hard barkly fibre running from the lower end to the middle region, more or less continuously.

IS 7032 (Part 1 to 9) : 2024

3.1.11 Specks — Soft barkly spots in the body where fibres can be separated with some effort without breaking their continuity, though they may remain as weak spots.

3.1.12 Sticker, Entangled Sticks and Loose Sticks — Sticks are remnants of woody part of jute, *Mesta* and *Bimli* plant over which fibre sheath is formed. Entangled sticks are broken sticks which are linked with fibre mass and are not easily removable. Loose sticks are broken sticks easily removable by shaking.

3.2 Fibres

3.2.1 Bimli — It is a substitute for jute obtained from the bark of *Hibiscus sabdarifa*. It is generally inferior and coarser than jute. Chemically the fibre is different from jute in its low lignin content.

3.2.2 Jute — A multicellular fibre obtained from the bast of various species of *Corchorus*, of which the round pod jute (*Corchorus capularis* or white jute) and the long pod jute (*Corchorus clitorius* or **TOSS** jute) are the most important. The fibre strands are long usually varying from 1.5 m to 3.5 m.

3.2.3 Mesta — It is a substitute for jute obtained from the bark of *Hibiscus cannabinus*. It is generally inferior and coarser than jute. Chemically the fibre is different from jute in its low lignin content.

3.3 General Terms

3.3.1 Colour — The property of a fibre which distinguishes its appearance as creamy, white, grey, etc.

3.3.2 Density — It is the mass per unit volume of the fibre including its airspaces. The higher density is a characteristic of better quality fibre. In the hand and eye method for grading of raw jute, heaviness or body of the fibre is assessed. This is more or less equivalent to the bulk density of the fibre.

3.3.3 Fineness — A measure of diameter (width) or mass per unit length, or both of the fibre filament.

NOTE — Finer the fibre, better is its quality.

3.3.4 Foreign Matter — These are dust and mud, moss and stick which are mostly lost during processing and are thus subject to claims.

3.3.5 Lustre — The display of different intensities of light reflected both specularly and diffusely from different parts of a surface exposed to the same incident light. Due to this reflection of light the surface of textiles (fibre, yarn or fabric) looks glossy or shining.

NOTE — In case of jute fibres, higher lustre is generally a characteristic of a better quality fibre.

3.3.6 Natural Dust — The dust which might get associated with the fibre during the process of its production.

3.3.7 Parcel — A consignment containing certain number of bales, bundles or drums.

3.3.8 Reed — The fibre system from the individual jute, *Mesta* and *Bimli* plants.

3.3.8.1 Reed length — The length of the reed from bottom to top (excluding the underground root portion in case of *Bimli*).

3.3.8.2 Effective reed length — The length of the reed after the root and hard barkly croppy ends have been removed.

3.3.9 Root — The hard barkly region at the lower end of the reed which requires additional softening treatment, normally called, 'cuttings'. This includes the underground root portion in case of *Bimli*.

3.3.10 Strength — The ability of the fibres to resist strain or rupture induced by external force.

The strength aspect of the fibres is classified depending upon their tenacity.

NOTES

1 Tenacity is the breaking load of a material under test divided by the linear density of the unstrained material, expressed as grams per tex.

2 Linear density is the mass per unit length; the quotient obtained by dividing the mass of fibre or yarn by its length. When the mass is expressed in grams and the length in kilometres, the resulting value, the quotient, is expressed as tex.

4 CONDITIONING AND TESTING OF TEST SPECIMENS

The test shall be carried out in prevailing atmospheric conditions. However, in case of dispute, the conditioning and testing shall be carried out at standard atmospheric conditions of (65 ± 2) percent relative humidity and (27 ± 2) °C temperature (see IS 196 and IS 6359).

5 SAMPLING

5.1 Lot — The quantity of raw jute, *Mesta* and *Bimli* of one type and quality delivered to one buyer against one dispatch note shall constitute a lot.

5.2 The samples for testing shall be drawn in accordance with [Table 1](#).

Table 1 Sampling of Jute, *Mesta* and *Bimli**(Clause 5.2)*

SI No.	No. of Bales in the Lot	No. of Bales to be Drawn and Opened	No. of <i>MORAHs</i> to be Drawn	No. of Strands to be Drawn
(1)	(2)	(3)	(4)	(5)
i)	Up to 10	1	5	30
ii)	11 to 20	2	10	30
iii)	21 to 100	3	15	30
iv)	101 to 150	4	20	40
v)	151 to 200	5	25	50
vi)	Above 200	—	—	50 (<i>see Note</i>)

NOTE — The number of bales and *MORAHs* shall be so drawn as to get 50 strands.

Indian Standard

TEXTILES — PHYSICAL CHARACTERISTICS OF UNCUT
INDIAN JUTE, *MESTA* AND *BIMLI* FIBRES — METHODS OF
TEST

PART 2 REED LENGTH

1 SCOPE

This standard (Part 2) prescribes a method for the determination of reed length of jute, *Mesta* and *Bimli* fibre strands.

2 EQUIPMENTS

The following set of equipment are required:

- a) A smooth platform or floor;
- b) Measuring tape with a sensitivity of 1 mm;
and

3 PROCEDURE

3.1 Reed Length

Lay the fibre strand on a smooth horizontal platform or floor. Remove any kinks or bends with minimum tension without unduly stretching the fibre strand. Measure the length of the strand from one end to the other with the help of a tape correct to 0.5 cm (L).

3.2 Effective Reed Length

Measure the length of the root (L_1) and croppy end portion (L_2) correct to 0.5 cm. Determine the effective reed length by the following formula:

$$\text{Effective reed length} = L - (L_1 + L_2)$$

3.3 Repeat the test with the remaining test specimens and determine the average of all the values.

4 REPORT

The report shall include the following information:

- a) Type of fibre tested;
- b) Average reed length;
- c) Average effective reed length; and
- d) Size of the sample (strands).

Indian Standard

**TEXTILES — PHYSICAL CHARACTERISTICS OF UNCUT
INDIAN JUTE, *MESTA* AND *BIMLI* FIBRES — METHODS OF
TEST**

PART 3 ROOT CONTENT

1 SCOPE

This standard (Part 3) prescribes a method for the determination of root content of jute, *Mesta* and *Bimli* fibre strands.

2 EQUIPMENTS

The following set of equipment is required:

- a) Measuring Scale — a scale capable of measuring the length with a sensitivity of 1 mm.

3 PROCEDURE**3.1 Reed Length (L)**

Lay the fibre strand on a smooth horizontal platform or floor. Remove any kinks or bends with minimum tension without unduly stretching the fibre strand. Measure the length of the strand/reed from one end to the other with the help of tape or scale correct to 0.5 cm. (minimum 5 readings).

3.2 Root Length

Measure the length of the bottom root (L_1) portion of each individual strand/reed correct to 0.5 cm.

3.3 Repeat the test with the remaining test specimens.

4 CALCULATION

4.1 Calculate the root content of the individual test specimens as follows:

$$\text{Root content} = \frac{L_1}{L} \times 100$$

4.2 Calculate the average of minimum 5 readings obtained in [4.1](#).

5 REPORT

The report shall include the following information:

- a) Type of fibre tested;
- b) Average root content, percent; and
- c) Size of the sample (strands).

Indian Standard

TEXTILES — PHYSICAL CHARACTERISTICS OF UNCUT
INDIAN JUTE, *MESTA* AND *BIMLI* FIBRES — METHODS OF
TEST

PART 4 DEFECTS

1 SCOPE

This standard (Part 4) prescribes a method for the determination of defects (centre root, crop-end, runners and hunka) in the jute, *Mesta* and *Bimli* fibre strands.

2 EQUIPMENTS

The following set of equipment are required:

- a) Weighing balance with a sensitivity of 1 mg; and
- b) A pair of scissors.

3 PROCEDURE

3.1 Take a test specimen consisting of full-length reeds and determine its mass to an accuracy of 1 g (W).

3.2 Cut the centre-root and crop-end portions and keep them separately. Determine the mass of the centre-root (W_1) and crop-end (W_2) to an accuracy of 1 g.

3.3 Separate out the runners from the cut fibres, if any, and determine its mass to an accuracy of 1 g (W_3).

3.4 Remove the hunka from the cut fibres and determine its mass correct to 1 g (W_4).

3.5 Repeat the test with the remaining test specimens (minimum 10 test specimen).

4 CALCULATION

4.1 Calculate the percentage of centre-root, crop-end, runner and hunka of the individual test specimens as follows:

$$\text{a) Centre-root, } P_1 = \frac{W_1}{W} \times 100$$

$$\text{b) Crop-end, } P_2 = \frac{W_2}{W} \times 100$$

$$\text{c) Runner, } P_3 = \frac{W_3}{W} \times 100$$

$$\text{d) Hunka, } P_4 = \frac{W_4}{W} \times 100$$

4.2 Determine the percentage of total defects by adding P_1 , P_2 , P_3 , and P_4 .

4.3 Determine the average of all the values.

5 REPORT

The report shall include the following information:

- a) Type of fibre tested;
- b) Average percentage of;
 - 1) centre-root;
 - 2) crop-end;
 - 3) runner; and
 - 4) hunka.
- c) Average total defects; and
- d) Size of the sample (strands).

Indian Standard

**TEXTILES — PHYSICAL CHARACTERISTICS OF UNCUT
INDIAN JUTE, *MESTA* AND *BIMLI* FIBRES — METHODS OF
TEST**

PART 5 FOREIGN MATTER

1 SCOPE

This standard (Part 5) prescribes a method for the determination of foreign matter (dust, mud, moss and stick) of the jute, *Mesta* and *Bimli* fibre strands.

2 EQUIPMENT**2.1 Weighing Balance**

Capable of weighing the specimen with a sensitivity of 1 mg.

3 PROCEDURE

3.1 Take a test specimen and weigh it to an accuracy of 1 g (W_1). Beat the fibre strand against a hard surface and shake to remove dust, mud and other foreign matter. Continue beating until the mass becomes reasonably constant. Separate out by hand the moss and sticks, if any, from the strand. Then determine the final mass of the strand to an accuracy of 1 g (W_2).

3.2 Repeat the test with the remaining test specimens (minimum 10 test specimen).

4 CALCULATION

4.1 Calculate the percentage of foreign matter of the individual test specimen as follows:

$$\text{Foreign matter, percent} = \frac{W_1 - W_2}{W_1} \times 100$$

4.2 Calculate the average of all the values.

5 REPORT

The report shall include the following information:

- a) Type of fibre tested;
- b) Average amount of foreign matter, percent; and
- c) Size of the sample (strands).

Indian Standard

TEXTILES — PHYSICAL CHARACTERISTICS OF UNCUT INDIAN JUTE, *MESTA* AND *BIMLI* FIBRES — METHODS OF TEST

PART 6 BULK DENSITY

1 SCOPE

This standard (Part 6) prescribes a method for the determination of bulk density of jute, *Mesta* and *Bimli* fibres.

2 PREPARATION OF TEST SPECIMEN

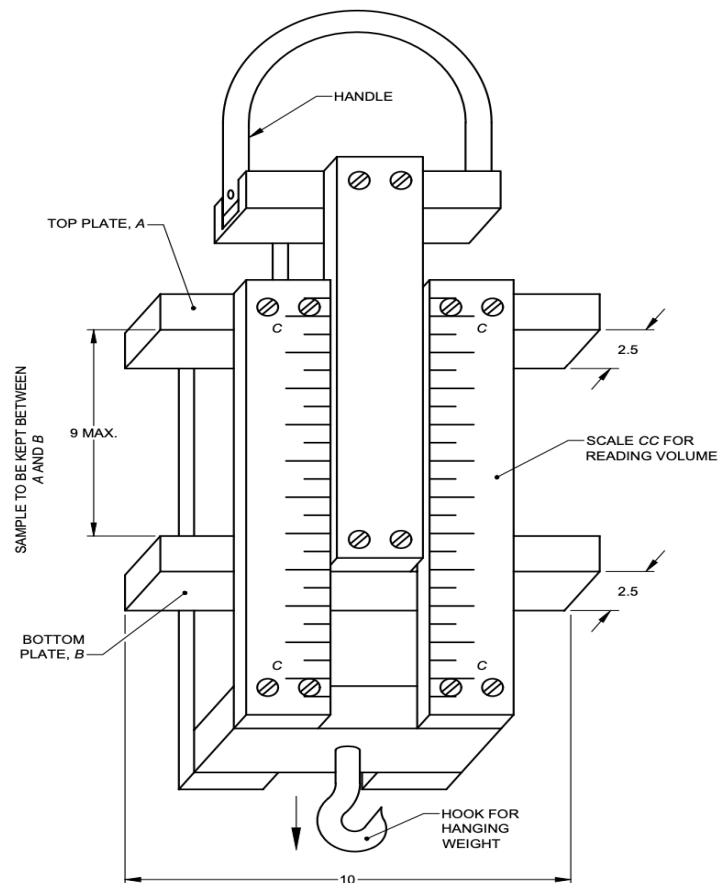
Take clean portions of 100 mm length at random from the middle region of the reeds (like leaving aside rooty bottom, cropy-end and defects). Adjust the specimen 'size' so that the mass of each specimen is 40 g. Prepare at least 3 such specimen.

3 APPARATUS

3.1 Metallic Plates

The plates of 100 mm × 25 mm dimension with suitable arrangements for bringing them close by applying pressure in the form of dead weight. An outline sketch of an apparatus suitable for this purpose is given in [Fig. 1](#).

3.2 Weighing Balance — capable for weighing the samples with a sensitivity of 1 mg



All dimensions in centimetres.

FIG. 1 BULK DENSITY MEASURING GADGET

4 PROCEDURE

4.1 Take a sample as laid down in and place it in between the two metallic plates keeping the gadget flat on the table. Suspend the instrument from the handle. Apply a load of 10 kg and note down the volume of the fibres from the scale of the instrument.

NOTE — The samples may be tested in the prevailing atmospheric conditions. However, in case of dispute, the sample shall be conditioned and tested in standard atmospheric conditions as specified in 4 of IS 7032 (Part 1).

4.2 Similarly, test the other two test specimens.

5 CALCULATION

Calculate the bulk density by the following formula:

$$D = \frac{M}{V}$$

where

D = bulk density;

M = mass, in g, of fibres compressed; and

V = volume, in ml, of fibres under compression.

6 REPORT

The report shall include the following information:

- a) Type of fibre tested;
- b) Number of test specimens tested; and
- c) Bulk density.

Indian Standard

TEXTILES — PHYSICAL CHARACTERISTICS OF UNCUT INDIAN JUTE, *MESTA* AND *BIMLI* FIBRES — METHODS OF TEST

PART 7 BUNDLE STRENGTH

1 SCOPE

This standard (Part 7) prescribes a method for testing bundle strength of jute, *Mesta* and *Bimli* fibres by tensile testing machines, working at constant rate of loading (CRL), constant rate of elongation (CRE) and constant rate of traverse (CRT).

2 PRINCIPLE

A bundle of fibres of 1.5 ktex to 3.0 ktex or recommended by the instruction manual of the instrument is gripped between two suitable clamps and their breaking load is determined on tensile testing machines. Then, tenacity is calculated by dividing the breaking load by the mass per unit length of the fibres held between the clamps.

3 PREPARATION OF TEST SPECIMEN

3.1 Take a clean portion of 200 mm in length at random from the middle region of the reeds (leaving aside the rooty bottom, croppy end and defects). Cut out sufficient length (bundle length) from each portion to cover fully both clamps. The mass of each portion should be approximately 300 mg to 600 mg; heavier ones shall be thinned out from the side and to the lighter ones another reed or a portion of a reed shall be added. Make this adjustment simply by feel. Take 5 portions constituting 5 test specimens (bundles).

3.2 Similarly prepare at least 1 more sets of 5 specimens as specified in [3.1](#).

4 TERMINOLOGY

4.1 Breaking Load — Maximum force recorded when a test specimen ruptures.

4.2 Fibre Bundle — A test specimen consisting of a thin layer of parallel fibres having length specified by the instrument manual.

4.3 Gauge Length — Distance between the inner faces of the pair of jaw at the start of the test.

4.4 Tenacity — Breaking load of the fibre sample

under test divided by the linear density of the unstrained fibre. It is usually expressed in terms gm/tex.

5 APPARATUS

5.1 Testing Machine

Tensile strength testing machine with a capacity of 100 kgf or a little more working on one of the following principles:

- a) Constant rate of traverse (CRT);
- b) Constant rate of load (CRL); or
- c) Constant rate of extension (CRE).

5.1.1 In case of constant rate of traverse (CRT) and constant rate of extension (CRE) machines, the specimens shall break within (20 ± 3) s. In case of constant rate of loading machine, the rate of loading shall be kept constant at 3 kg per second with a tolerance of ± 10 percent. The load range of the machine shall be such that the observed values would be between 10 percent to 90 percent of the full-scale load. The permissible error in the machine at any point in this range shall not exceed ± 1 percent of the maximum load. The machines shall be provided with the following arrangements:

- a) Two clamps with the following provisions to grip the specimens:
 - 1) Each clamp shall be such that at least 10 mm of fibre length is gripped. There should be no slippage of fibres during the test. To prevent slippage, the inside of the clamps should preferably be lined with leather or rubber padding.
 - 2) The clamps shall be capable of being adjusted to 5 cm test length.
- b) A scale or dial for recording the load in kilograms.

NOTE — A suitable instrument developed by ICAR - National Institute of Natural Fibre Engineering and Technology, Kolkata is described in [Annex A](#).

6 PROCEDURE

6.1 Mounting the Test Specimen

Place the two clamps 50 mm apart. Put the fibre bundle in one of the clamps and tighten it. Straighten the fibres, putting a small tension and tighten it in the other clamp. If the clamps are detachable, these can be taken out of the machine, placed on a platform, separated 50 mm apart and the fibre bundle fixed as above. The clamps can then be inserted into the clamp holders on the machine. The fibre bundle should be parallel to the axis of the machine.

6.2 With the help of preliminary specimen, set the machine so that the specimen breaks within (20 ± 3) s for CRE and CRT machines. In the case of constant rate of traverse type machine, set it at a rate of traverse so that the time of break exceeds the inertial period of the instrument.

6.3 Operate the machine and carry the test to rupture and record the breaking load of the specimen. If the specimen slips in the jaws, the test shall be discarded but noted, and another test taken in view thereof.

NOTE — Even if a test value is isolated on account of break near the jaw, the value shall be noted but not taken into account in calculations. If such breaks exceed 10 percent of the number of specimens tested, suitable corrective action on the machine may have to be taken.

6.4 With a knife or sharp razor blade cut the fibres flush at the inner edges of the two clamps and collect the tufts of fibres thus obtained.

Weigh the broken test specimen of fibre tufts.

6.5 Test at least 10 specimens each in similar manner.

NOTE — Sampling and procedures for testing for measurement of bundle strength by 'digital bundle strength tester' are given in [Annex A](#).

7 CONDITIONING AND TESTING OF TEST SPECIMENS

All the tests shall be carried out as laid down in **4** of IS 7032 (Part 1).

7.1 In case standard atmospheric conditions are not available, the samples may be conditioned and tested at the prevailing atmospheric conditions and the prevailing relative humidity shall be noted and correction applied for mass and breaking load as given below:

- a) *Correction for mass* — Convert the mass of fibre bundles as obtained in [6.4](#) to

equivalent mass at 65 percent relative humidity. For this purpose, the equilibrium moisture regain for jute corresponding to prevailing RH, will require to be determined from the regain humidity curve for jute or by using a suitable moisture regain meter. For example, if the moisture regain at the prevailing RH is R the corrected mass at 12 percent moisture regain corresponding to 65 percent RH will be given by the formula $M \times \frac{100+12}{100+R}$, (12 is the approximate moisture regain of jute at 65 percent relative humidity).

- b) *Correction for breaking load* — Convert the breaking load values obtained in [6.3](#) for the difference in relative humidity to breaking load at 65 percent relative humidity by multiplying with the applicable correction factor as given in Annex B. However, if the relative humidity is between 35 percent to 75 percent, the correction for breaking load value is small and may be ignored. The corrected values of mass and breaking load shall be used in the formula given in [8.1](#).

8 CALCULATION

8.1 Calculate the tenacity of the fibre by the following formula:

$$\text{Tenacity (in g/tex), } S = \frac{L \times T}{M}$$

where

- L = fibre bundle length of the test specimen, in mm;
 T = breaking load values of the test specimens, in kgf; and
 M = mass, in mg, of the test specimens.

8.2 Determine the average value of tenacity S from the readings of at least 10 test specimens.

NOTE — When the difference between any two values of tenacity (S) exceeds 15 percent of the mean, another value for S should be obtained.

9 REPORTS

The report shall include the following information:

- Type of fibre tested;
- Type of machine;
- Number of test specimens tested; and
- Average tenacity.

ANNEX A

(Clauses [5.1.1](#) and [6.5](#), [Foreword](#))**NINFET DIGITAL BUNDLE STRENGTH TESTER**

(Mention of the name 'NINFET digital bundle strength tester' of a specific (or proprietary), instrument is not intended to promote or give preference to the use of this instrument over others)

A-1 DESCRIPTION OF THE INSTRUMENT

This instrument measures the bundle strength of jute, *Mesta* and *Bimli* fibres. It works on the principle of constant rate of loading (CRL). The length of the fibre bundle of 12.5 cm and weight of 300 mg to 600 mg is gripped between two suitable clamps/jaws and tenacity (g/tex) is measured.

NOTE — This testing machine consists of permanent magnet DC motor, ramp generator circuit, load cell and latch circuit. Permanent magnet DC motor operates from a ramp generator circuit, which produces a linearly increasing current with respect to time having a constant slope. The schematic diagram of the bundle strength tester is shown in [Fig. 2](#). The torque induced in the motor will be thus proportional to the current taken by the motor. The ramp generator will thus induce a linearly increasing torque to the motor, which will be fed to the arm. This applied torque will be multiplied by the ratio of the lengths from the pivot to the motor end with the length from pivot to the fibre-holding end. So, the induced force on the fibre bundle will be increased slowly but at a constant rate. When the amount of the induced force will be just greater than the breaking strength of the fibre bundle under test, the fibre bundle will be broken off. At the time of breaking off the fibre bundle, a limit switch will turn off the ramp generator circuit and the current will thus be cut off. At that instant, the value of the current will be latched and the latch circuit will store this value. This stored value of the current taken by the motor will indicate the breaking strength of the fibre to some other scale.

A-2 APPARATUS**A-2.1 Testing Machine**

Bundle strength testing instrument with a load cell capacity of 200 kgf or a little more working on Constant rate of load (CRL) can be used. The instrument employed on aforesaid principles is automatic bundle strength tester. Automatic bundle strength tester shall have fibre clamp holder (jaws) as an integral part of the instrument. The permissible resolution in the instruments load cell at any point of measurement shall not be more than 0.1 kg.

The instrument shall have the following arrangements:

- a) The instrument shall be provided with means for indicating or recording both forces applied and tenacity of test specimen after rupture of fibre;
- b) Knob or weight measurement setup to vary the weight of bundle shall be provided in the instrument;
- c) Specimens shall be placed parallel into the jaw. The Jaw shall hold fibre firmly and distance between two jaws shall not be more than 50 mm. To restrict excess movement of jaw, limit switch shall be provided;
- d) The length of jaw shall not be more than 50 mm and width shall be 10 mm and to prevent fibre slippage inside the jaw/clamps, holding unit must be lined with leather or rubber padding;
- e) The instrument shall be capable of constant rate of load of 3 kg/s with an accuracy of 10 percent; and
- f) The uncertainty of the instrument shall not be exceed ± 0.075 gm/tex.

A-2.2 Balance — balance capable of weighing the specimen to a sensitivity of 1 mg

A-2.3 Device for Fibre Cutting — fibre cutter or a pair of scissors

A-3 PREPARATION OF TEST SPECIMEN

A clean portion of 200 mm in length shall be taken at random from the middle region of the reeds (leaving aside the rooty bottom, crappy end and defects). Sufficient length from each portion is cut out to cover fully both the clamps. The mass of each portion shall be approximately 300 mg to 600 mg; heavier ones shall be thinned out from the side and to the lighter ones shall be added from another reed or a portion of a reed. This adjustment shall be made simply by feel. Take 2 portions constituting 5 test specimens (bundles).

A-4 PROCEDURE

Make the necessary preliminary adjustments appropriate to the instruments used as per technical manual.

- a) Weight the specimen to be tested and place centrally in longitudinal in the jaws/clamps;
- b) Set the weight of specimen using knob provided on the instrument and break the fibre;
- c) Specimen must be break within 10 mm to 20 mm of recommended distance;

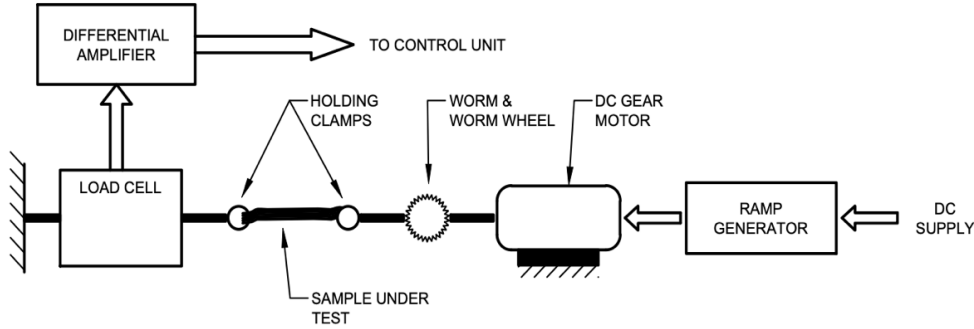
- d) There shall be no slippage of fibres from the jaw or clamp during the test. The bundle shall be break in the middle of the region of fibre.

NOTE — If the specimen slips in the jaws, the test shall be discarded and new specimen shall be used for repeating the experiment;

- e) The instrument shall be operated as per the procedure given in technical manual of the

instrument and the bundle strength shall be recorded accordingly; and

- f) At least 2 groups of five specimens shall be tested in similar manner, if the difference between tenacity exceeds 15 percent of the mean, another one trail may be conducted and shall be reported.



STRENGTH CHECKER UNIT

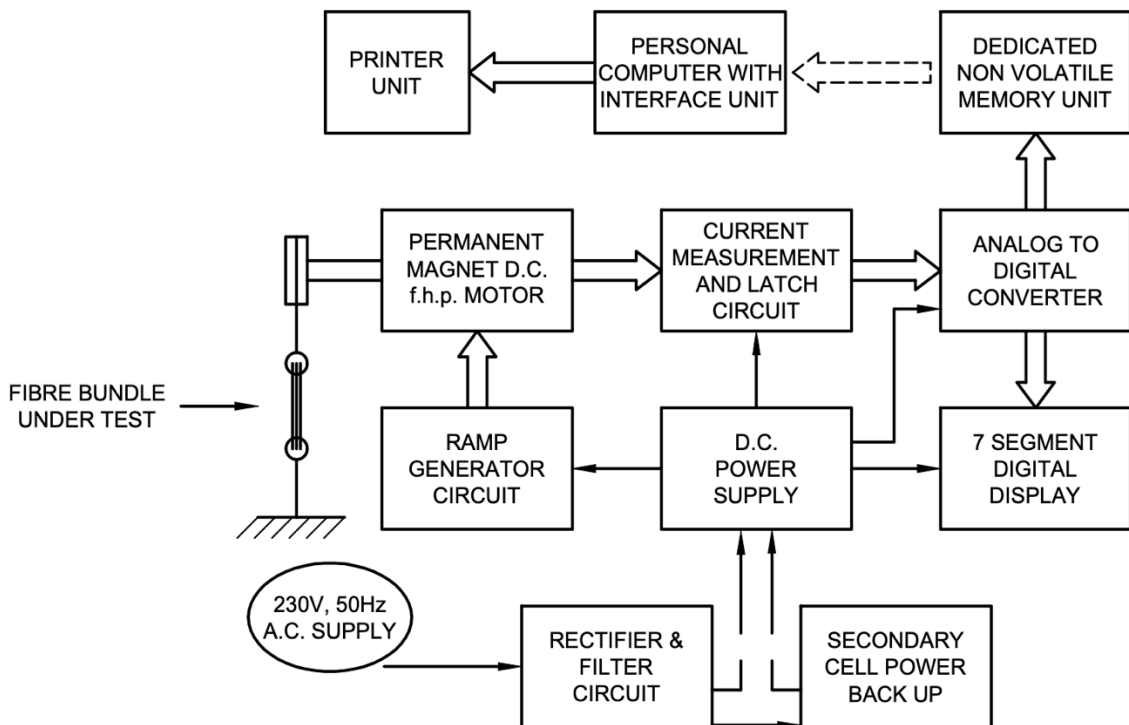


FIG. 2 THE SCHEMATIC DIAGRAM OF THE BUNDLE STRENGTH TESTER

A-5 OPERATION OF THE INSTRUMENT

- a) Prepare the sample as per standard procedure and weight it before placing the specimen in the jaw/clamps;
- b) Enter the weight of specimen using knob provided on the instrument; and
- c) Then Press the “TEST” button for breaking of fibre.

A-6 CONDITIONING AND TESTING OF TEST SPECIMENS

The test shall be carried out in prevailing atmospheric conditions. However, in case of dispute, the conditioning and testing shall be carried out at standard atmospheric conditions of (65 ± 2) percent relative humidity and (27 ± 2) °C temperature (*see* IS 196 and IS 6359).

A-7 CALCULATIONS

A-7.1 Calculate the tenacity of the fibre by the following formula:

$$\text{Tenacity (in g/tex), } S = \frac{125 \times T}{M}$$

where

T = sum of breaking load values of one group of 5 test specimens, in kgf; and

M = total mass of one group of 5 test specimens, in mg.

A-7.2 Determine the average value of tenacity S from the readings of at least two groups, each of 5 test specimens.

NOTE — When the difference between any two values of tenacity (S) exceeds 15 percent of the mean, another value for S should be obtained.

A-8 CALIBRATION OF THE INSTRUMENT

The correction factors shall be considered for calculation of strength. The load cell of the instrument must be calibrated by NABL accredited laboratory. The length and weight of the specimen required for calibration of digital bundle strength tester shall be same that of mechanical bundle strength tester. Conduct at least 20 measurements in both the instruments and the correction factor calculate by the following equation:

Correction factor =

$$\frac{\text{Bundle strength value in mechanical instrument (g/tex)}}{\text{Bundle strength value in digital instrument (g/tex)}}$$

It shall be made sure that necessary adjustments are appropriate to instruments. The instrument display shows SET LOAD FACTOR option when menu button is pressed long. The load factor is set by pressing TARE and TEST button for increase and decrease the value (the default factor stored in the instrument is 1). The load factors would be stored after long press of MENU button.

ANNEX B

[Clause 7.1 (b)]

FACTORS FOR CORRECTING BUNDLE STRENGTH OF JUTE AT DIFFERENT RELATIVE HUMIDITIES (OR MOISTURE REGAINS) TO STRENGTH AT 65 PERCENT RH (12.4 PERCENT MOISTURE REGAIN)

<i>Sl No.</i>	<i>Equilibrium Related Humidity, Percent</i>	<i>Moisture Regain Percent</i>	<i>Correction Factor (Multiply by)</i>
(1)	(2)	(3)	(4)
i)	10	3.0	1.35
ii)	15	3.9	1.21
iii)	20	4.8	1.13
iv)	25	5.7	1.08
v)	30	6.5	1.05
vi)	35	7.0	1.03
vii)	40	8.0	1.01
viii)	45	8.7	
ix)	50	9.5	
x)	55	10.5	1.00
xi)	60	11.5	
xii)	65	12.4	
xiii)	70	13.5	1.01
xiv)	72	14.0	1.02
xv)	75	15.0	1.03
xvi)	80	16.5	1.06
xvii)	85	18.8	1.09
xviii)	90	22.0	1.15
xix)	95	26.8	1.24

NOTE — No correction is necessary when the relative humidity of the testing atmosphere ranges between 35 percent and 75 percent.

Indian Standard

TEXTILES — PHYSICAL CHARACTERISTICS OF UNCUT INDIAN JUTE, *MESTA* AND *BIMLI* FIBRES — METHODS OF TEST

PART 8 FINENESS

1 SCOPE

This standard (Part 8) prescribes a method for the determination of fineness of jute, *Mesta* and *Bimli* fibres by air flow method.

2 PRINCIPLE

A specified mass of fibres is compressed to a constant volume in a cylindrical chamber with open ends to which a flowmeter and a manometer are connected. A regulated current of air is then passed through the compressed fibres and the average fibre fineness read from the scale.

3 TERMINOLOGY

3.1 Fineness — It is a measure of diameter or thickness of the fibre. Fineness is usually expressed by linear density or mass per unit length in tex (gm/km) unit.

3.2 Linear Density — Mass per unit length; the quotient obtained by dividing the mass of the fibre by its length.

3.3 Operating Pressure — The pressure required to create the required pressure difference across the orifice. It is expressed in kPa.

4 APPARATUS

4.1 Air Flow Apparatus

It shall consist of the following principal parts:

- a) *Constant Volume Chamber* — for taking a known mass of fibres and compressing it to a fixed known volume. It generally comprises:
 - 1) a plug cell into which the fibres are packed;
 - 2) a plunger which compresses the fibres; and
 - 3) a screw cap which clamps the plunger to the base.
- b) *Means for Air Regulation* — for regulating and controlling the flow of air through or air pressure difference across the specimen. It

shall give sufficiently fine control of air supply so that the level of the flowmeter or manometer may be quickly adjusted to the working valve.

- c) *Means for Producing Air Flow* — Capable of producing the required air pressure applied to the specimen or the required pressure difference across the specimen.
- d) *Means for Measuring the Resistance to Air Flow or the Air Pressure Difference Across the Specimen* — The combination of manometer for maintaining the air pressure applied to the specimen and a flowmeter for indicating the rate of air flow through the specimen may be used. Flowmeter or manometer shall be calibrated to directly read the fineness in tex or denier.

NOTE — Three suitable instruments developed by: (a) Ahmedabad Textile Industry's Research Association, Ahmedabad (modified by Indian Jute Industries Research Association, Kolkata); (b) ICAR-Jute Technological Research Laboratories, Kolkata; and ICAR-National Institute of Natural Fibre Engineering and Technology, Kolkata are described in [Annex C](#), [Annex D](#) and [Annex E](#) respectively.

4.2 Balance — capable of weighing the specimen to a sensitivity of 1 mg

4.3 Device for Fibre Cutting — fibre cutter or a pair of scissors

5 PREPARATION OF TEST SPECIMEN

Take a suitable portion at random from the middle regions (leaving aside the rooty bottom and under-retted crop ends) of several reeds, covering the full range of the sample. Clean each portion so as to free it from barky, specky and knotty spots, hard gummy fibres as well as other extraneous materials. If necessary, the cut fibre reeds shall be lightly struck against a hard surface to shake off the adherent dirt and dust. Cut the fibre bundles to a specified length and take the mass of the fibres as required by the instrument used (see [Annex C](#), [Annex D](#) and [Annex E](#)).

6 PROCEDURE

6.1 Make the necessary preliminary adjustments appropriate to the instrument used. Ensure that the meniscus of the manometer is at the zero mark.

6.2 Place the test specimen in the fibre compression cylinder, taking care that all the fibres are placed inside. Adjust the machine as recommended by the instruction manual of the instrument (*see* [Annex C](#), [Annex D](#) and [Annex E](#)).

6.3 Cause the air to flow through the specimen and read the air flow or the difference in pressures on the scale to an accuracy of half a division of the scale.

6.4 Remove the test specimen from the fibre compression cylinder and take one or two more readings on the same specimen as recommended by the instruction manual of the instrument.

6.5 Take the other test specimens and determine the test values in the manner set out in [6.1](#) to [6.3](#).

7 CALCULATIONS

Calculate the average of all the values taken for all test specimens.

8 REPORT

The report shall include the following information:

- a) The instrument used;
- b) Number of test specimens; and
- c) Fibre fineness in tex, or denier.

ANNEX C

(Clauses [4.1](#), [5](#) and [6.2](#))

IJIRA JUTE FIBRE FINENESS TESTER

(Mention of the name 'IJIRA jute fibre fineness tester' of a specific (or proprietary), instrument is not intended to promote, or give preference to the use of this instrument over others)

C-1 DESCRIPTION OF THE INSTRUMENT

C-1.1 A working sketch is shown in [Fig. 3](#). A rubber bulb (6) which when squeezed, pumps air into a tank (8), equipped with a loosely fitting float (7) which can rise to the top of the tank. As the float descends, it forces air through the outlet of the apparatus if the rate of flow is sufficiently small, sensibly constant air pressure can be secured for a sufficiently long interval. The air outlet in the needle valve (14) is connected in series with the sample chamber (11). The cylindrical sample chamber is filled with a weighed amount of the opened sample under investigation and closed by a perforated piston (10) which compresses the plug to the same dimensions each time. After passing through the plug, the air escapes into the atmosphere. The junction of the needle valve and the sample chamber is connected to the reservoir manometer (4). The measuring limb of this reservoir consists of three parts, namely, a first vertical section, which is always filled by the manometric liquid when testing any sample within the range of the instrument; an inclined section which is directly calibrated in denier, and a third vertical section which serves to monitor the constancy of total pressure. The entire assembly is mounted on a board provided with levelling screws.

C-1.1.1 The calibrated section of the manometer is inclined (horizontal gradient 1 in 5) in order to increase the sensitivity and spread out the scale.

C-2 OPERATING PROCEDURE

C-2.1 Level the instrument with the help of the levelling screws and a spirit level.

C-2.2 Collect about 40 g of raw jute after proper sampling. Cut the fibre to approximately 1 cm pieces. Mix the cut fibres thoroughly and tease out by hand.

C-2.3 Divide the cut sample into 3 sub-samples. Weigh one specimen of 8.65 g from each sub-sample.

C-2.4 Pack the weighed specimens into the sample chamber and close the chamber by piston (10).

C-2.5 Squeeze the aspirator bulb (6) a number of times as the float in the tank (8) rises to the top. Stop squeezing and the float will start descending. Observe the position of manometer liquid. At a certain point the manometer reading will remain steady for a while. Note the denier reading corresponding to this position of the manometer liquid.

C-2.6 Remove the specimen, fluff it out and repeat for a repeat test.

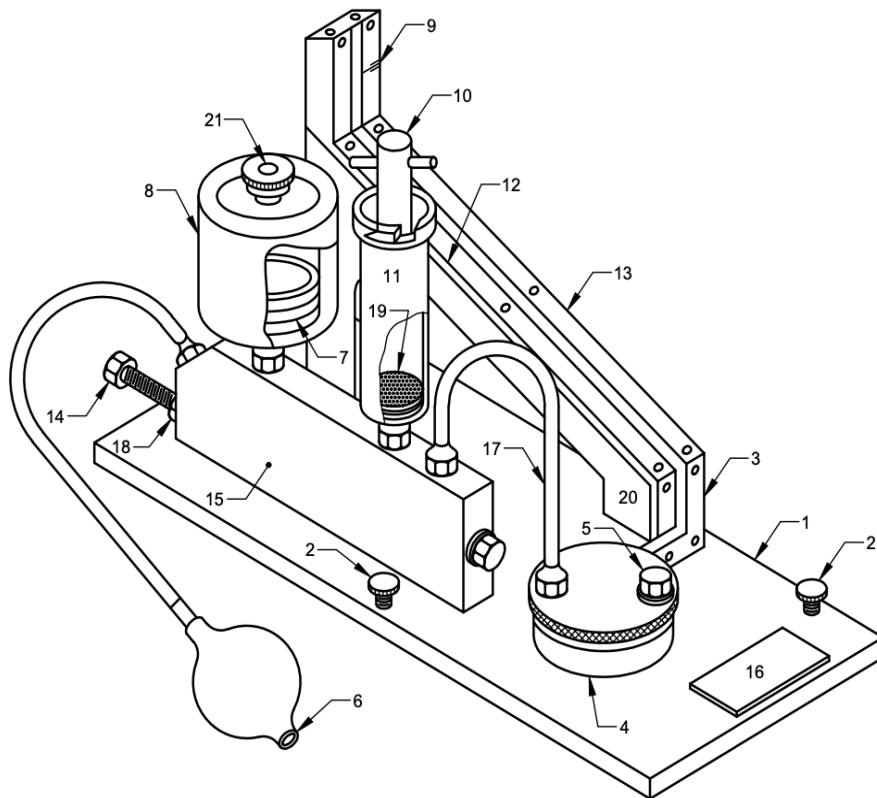
C-2.7 Repeat as in [C-2.6](#). Altogether take 3 readings for each specimen.

C-2.8 Repeat the test for the other two specimens as in C-2.3 to C-2.7.

C-2.9 Find the average of the 9 readings.

C-3 CHECKING

In order to check from time to time that the instrument is performing satisfactorily, readings should be taken on the calibration sample provided.



Key

- | | |
|---|-----------------------------------|
| 1. Thermosetting laminate mounted board | 11. Sample chamber |
| 2. Levelling screws | 12. cm scale |
| 3. Reference mark for liquid | 13. Denier scale |
| 4. Reservoir for manometric liquid | 14. Needle valve |
| 5. Reservoir plug | 15. Distributor |
| 6. Aspirator bulb | 16. Name plate |
| 7. Float | 17. Air pressure maintaining tube |
| 8. Air tank | 18. Check nut |
| 9. Reference mark for total pressure | 19. Perforated disc |
| 10. Piston | 20. All gradient stand |
| 21. Air filter | |

FIG. 3 IIRA FIBRE FINENESS TESTER

ANNEX D

(Clauses [4.1](#), [5](#) and [6.2](#))

JTRL JUTE FIBRE FINENESS TESTER

(Mention of the name 'JTRL jute fibre fineness tester' of a specific (or proprietary) instrument is not intended to promote or give preference to the use of that instrument over others)

D-1 DESCRIPTION OF THE INSTRUMENT**D-1.1 Air Flow Production Arrangement**

The aspirator (*I* in [Fig. 4](#)) is a wide flat tank T , of 400 cm^2 area with a narrow outlet O_1 of 6 mm diameter. The tank is raised to suitable height (40 cm to 50 cm) by a stand the outlet at O_2 being extended below by a rubber tube for a higher water head without having to handle a large quantity of water.

D-1.1.1 To maintain a constant water head, the top-level drop has been neutralized by pulling down the end of the outlet rubber tube to some extent, such that the difference in water head (H) between the water level in the tank and the tip of the outlet O_2 remains constant. This has been achieved by a simple device. The end O_2 of the outlet rubber tube is attached to the top opening of the receiver T_2 hung from a spring. The spring is so adjusted that the weight of liquid being drained into the receiver is sufficient to extend the spring by an amount equal to the drop in the liquid level in the T_1 . The constant level difference thus maintained ensures constant rate of flow.

D-1.1.2 For refilling the tank T_1 the receiver T_2 is hung upside down from a hook N above the tank T_1 into which the receiver empties itself through the same rubber tube E . The tank T_1 has two openings, I_1 and I_2 at the top, I_1 having a tap, and one outlet with a tap at the bottom. The inlet tube I_2 is connected to the regulating valve Y and the other parts of the instrument, through it air is sucked in as water flows out of the tank. The tap I_1 provides an opening to the atmosphere during refilling. In the receiver T_2 also the side opening B maintains a connection between the inside and the outside atmosphere. The specifications of the flow system are such that a maximum flow rate of about 15 ml per second can be mentioned for 25 s.

D-1.2 Flow Gauge

The flow gauge (*II* in [Fig. 4](#)) is essentially a manometer (F_1, F_2), attached to the two ends of a glass wool plug or an equivalent glass or brass capillary tube W in a glass tube. For a particular flow rate through the plug, a difference of pressure develops between the ends of the plug and is indicated in this manometer. This manometer is calibrated in terms of flow rate, since pressure difference is proportional to the flow rate. The

packing of the glass wool plug may be altered for different ranges of flow rate.

D-1.2.1 To increase the sensitivity of the flow gauge manometer, the area of limb F_2 is made much larger than that of the other, such that the depression in the wider limb is negligible in comparison to the elevation of the liquid in the narrow limb, and further, the narrow limb is kept inclined at 60° to the vertical. A sliding scale is placed beside the narrow limb. The zero of the scale is made to coincide with the liquid meniscus before starting the test. If the meniscus level falls below a mark, some liquid may be added into the wider limb. The glass wool plug is so adjusted that the flow gauge manometer reading is changed from 0 cm to 26 cm with increase in flow rate from 0 ml to 15 ml per second.

D-1.3 Fibre Plug and the Chamber

A plug is formed of parallel fibre bundles. Such a plug is introduced longitudinally into a cylindrical cell C_1 of 1.25 cm diameter and 5 cm length (*III* in [Fig. 4](#)). At one end, the cell has a flange which can be pressed air-tight on the rubber ring over the rim of a wider chamber C by a centre open screw cap 2.

D-1.3.1 The chamber is thus open to the atmosphere at the top, and a small tube at the bottom connects the chamber to the manometer and the other parts of the instrument.

D-1.4 Pressure Gauge

The pressure gauge P_1, P_2 (*IV* in [Fig. 4](#)) is a manometer used for registering the difference of pressure between the two ends of the fibre plug. One end of the manometer as well as the fibre plug is open to the atmosphere. The design of the gauge is exactly similar to that of the manometer used for the flow gauge. The zero of the scale is always set at the liquid meniscus before the experiment is started.

D-2 FIBRE CUTTER

For a 5cm plug cell, the fibre bundle shall be cut to 5 cm length. Fibre cutter ([Fig. 5](#)) consists of a channel of rectangular cross section with a closely fitting plunger both cut exactly to 5 cm length. The fibre is placed longitudinally in the channel with ends projecting on both sides. The plunger is then pressed by a crew, from the top. The projecting ends of the fibres are then cut flash with the channel ends

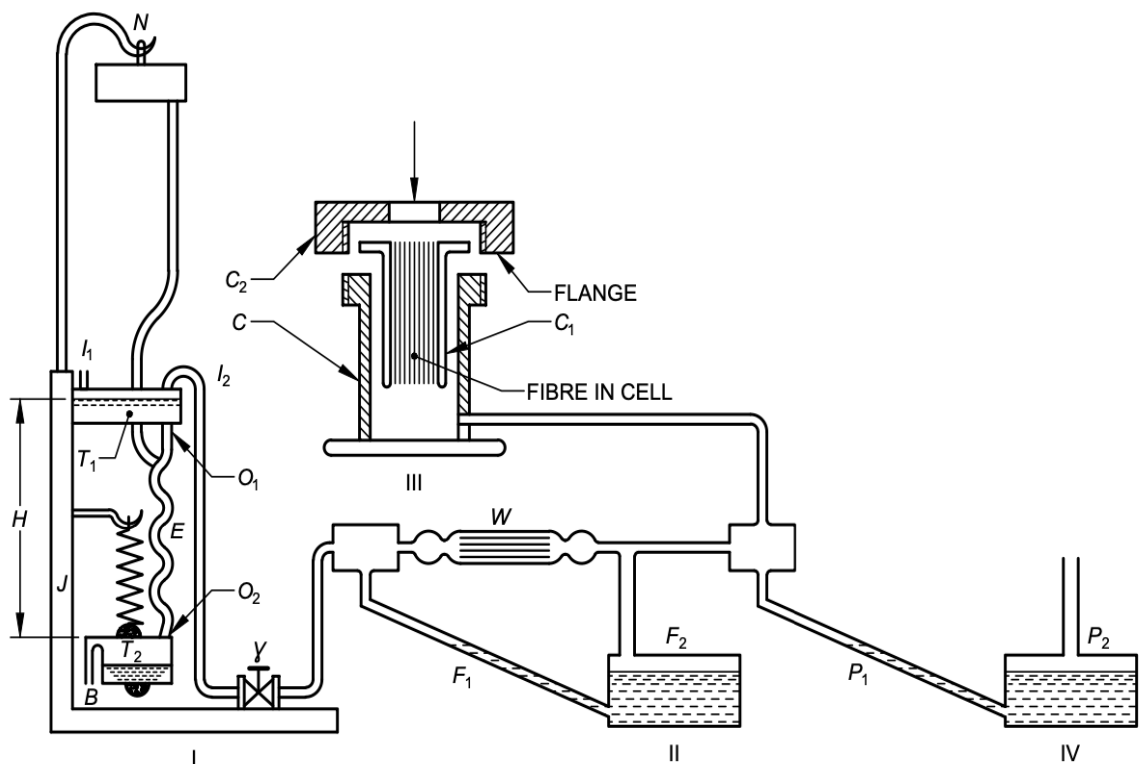
by a chisel and hammer. The rotatable rectangular frame through which the crew works can be turned aside when the fibre is put in the channel. The plunger is provided with a projection (not shown in Fig. 5) across the length to prevent tilting.

D-3 OPERATION OF THE INSTRUMENT

D-3.1 A group of raw jute fibre samples is cut to 5 cm length by the cutter and exactly 3 g are weighed out of it to form the test bundle. This mass is found suitable for the size of the plug cell used and is also specific for a particular calibration. The bundle is

wrapped tightly in a paper strip and introduced into the plug cell C_1 . The paper is then taken out or torn off by pushing the bundle gently either way, keeping the fibre ends flush with the cell ends. The cell is then fitted air-tight onto the chamber C .

D-3.1.1 The tank T_1 is filled with water and the top tap I_1 is closed. With the receiver on the spring S , the outlet tap O_1 , is opened. The regulating valve Y is then manipulated to attain a fixed difference of pressure indicated on the pressure gauge. Immediately the flow gauge reading is taken.



Key

<i>I</i>	Aspirator	<i>I₁</i>	Tap
<i>II</i>	Flowmeter	<i>I₂</i>	Intel tube
<i>III</i>	Plug chamber	<i>J</i>	Stand
<i>IV</i>	Manometer	<i>N</i>	Hood
<i>B</i>	Side opening	<i>O₁</i>	Narrow outlet
<i>C</i>	Chamber	<i>O₂</i>	End of the rubber tube
<i>C₁</i>	Plug cell	<i>P₁, P₂</i>	Pressure gauge
<i>C₂</i>	Centre open screw cap	<i>T₁</i>	Tank
<i>E</i>	Rubber tube	<i>T₂</i>	Receiver
<i>F₁, F₂</i>	Manometer	<i>W</i>	Glass wool plug
<i>H</i>	Water head	<i>Y</i>	Regulating valve

FIG. 4 INSTRUMENT FOR FIBRE FINENESS DETERMINATION

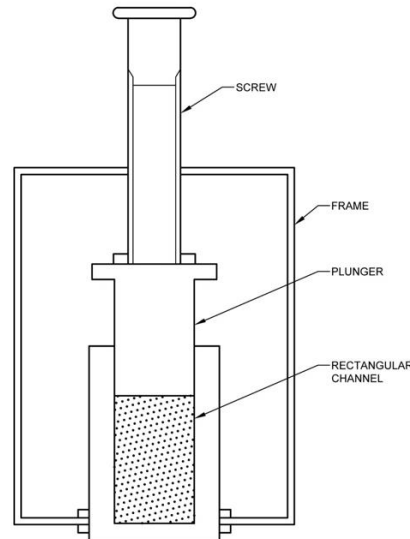


FIG. 5 FIBRE CUTTER

D-4 CALIBRATION OF THE INSTRUMENT

D-4.1 Calibration of the pressure gauge manometer.

D-4.1.1 The fibre plug chamber *C* is disconnected, and the instrument connected to a vertically mounted U-tube manometer through the leg of a T-tube. One end of the head piece of the T-tube is connected to the U-tube manometer and the other end closed air-tight by means of a screw clip on a rubber tubing.

D-4.1.2 The water aspiration system is replaced by a suction pump which is connected to the regulating valve *Y*. The suction pump is run on, and the regulating valve *Y* opened slowly to obtain a steady pressure difference in the U-tube manometer. The two liquid columns in the U-tube may be made level again by letting in air through the screw clip on the T-tube.

D-4.1.3 The steady pressure difference in the U-tube manometer is 9 cm with a manometric liquid (kerosine oil) of specific gravity 0.82. The corresponding pressure gauge reading on the instrument is then marked on a scale placed beside it. For subsequent readings of the flow gauge, the air suction through the valve *Y* should be controlled so as to give this particular valve of steady pressure on the pressure gauge manometer of the instrument.

D-4.2 Calibration of the flow gauge manometer.

D-4.2.1 Take a vertically mounted rotameter (a flowmeter having a rotating indicator of airflow) and connect a rubber tubing at the lower end. Clamp on the rubber tubing a screw clip to regulate air flow through the rotameter.

D-4.2.2 Disconnect the U-tube manometer and connect the upper end of the rotameter to this point. Run on the suction pump. Adjust the control valve *Y* and the screw clip of the rubber tubing attached to the rotameter alternately so as to have different flow rates at the particular steady pressure indicated by the pressure gauge manometer of the instrument (corresponding to a pressure head of 9 cm in the U-tube manometer referred to).

D-4.2.3 Note down the rate of air flow in the rotameter and mark this flow on the scale beside the flow gauge manometer of the instrument. A number of flow rates all at the steady pressure difference, are thus marked on the flow gauge scale. A calibration curve is drawn relating flow rates (ml/s) and scale length (cm) of the flow gauge. This calibration curve is used to find out the different 'tex' values corresponding to the different flow rates by using the formula, $\text{tex} = 0.283 \times \text{flow in ml/s}$. The flow gauge scale is then calibrated directly in terms of tex values.

D-5 SENSITIVITY OF THE INSTRUMENT

Since both the pressure and the flow gauges are sensitive enough to detect a change of 1 mm in reading, the approximately error of observation is not likely to exceed 2 percent, when the pressure gauge stands at 18.0 cm and the flow gauge between 6.0 cm and 26.0 cm. Considering the variation within a sample, this order of sensitivity seems to be sufficient for textile fibres. A 3-g bundle may be made to represent as many regions as possible, to minimize the variation between readings.

ANNEX E

(Clauses 4.1, 5 and 6.2, Foreword)

NINFET DIGITAL JUTE FIBRE FINENESS TESTER

(Mention of the name ‘NINFET digital jute fibre fineness tester’ of a specific (or proprietary), instrument is not intended to promote, or give preference to the use of this instrument over others)

E-1 DESCRIPTION OF THE INSTRUMENT

This instrument measures fineness of jute, *Mesta* and *Bimli* fibres by air flow method. The fineness tester works on the principle of pressure difference across the specimen. A specified mass of fibres is compressed to a constant volume in a cylindrical chamber with open ends to which pressure sensors are deployed to measure difference pressures.

The instrument is comprised of air pump, reservoir, pressure sensors and cylindrical plug cell. The line diagram of the instrument is shown in the Fig. 6. The air pump supplies air to plug cell through an air reservoir which provides a stable flow of the air at

constant pressure. Using pressure sensors, the pressure is sensed and maintained constant. The pump is run by the triac set using a relay to maintain a constant pressure through the fibre sample under test and an orifice placed in the air flow channel. The difference of pressure across the orifice is measured by using other two pressure sensors and from this value; the flow of air is calculated and displayed in segment display. At the time of measurement of jute sample, the pressure shall be adjusted by knob provided in the machine. After that, press a ‘TEST’ button and eventually, the display shows the fineness of the test fibre in tex.

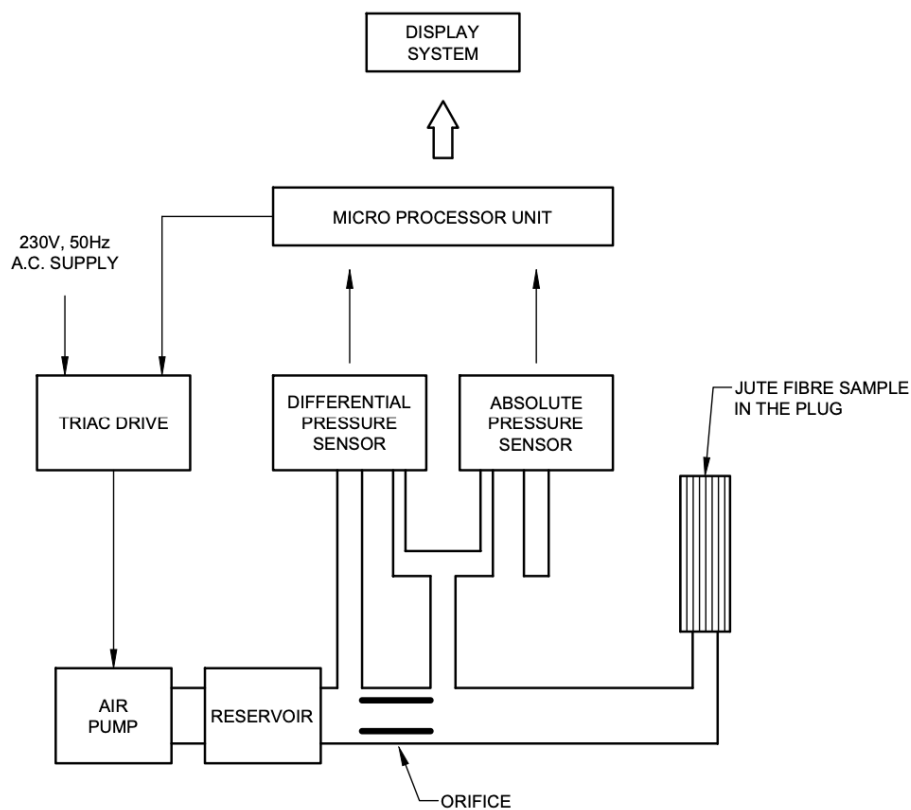


FIG. 6 LINE DIAGRAM OF THE INSTRUMENT

E-2 APPARATUS

E-2.1 The digital fineness tester shall consist of the following components:

- a) Air pump — It is used to provide prerequisite air pressure for the system. The air pump shall be able to develop 1.5 kPa air pressure without fluctuating.
- b) Reservoir — It provides a stable flow of air at constant pressure and shall be capable of supplying required air pressure to the specimen or the required pressure difference across the specimen.
- c) Constant volume chamber — It is used for taking a known mass of fibres and compressing it to a fixed known volume. It generally comprises:
 - 1) a plug cell into which the fibres are packed;
 - 2) a plunger which compresses the fibres; and
 - 3) a screw cap which clamps the plunger to the base.

The fibre plug cell in which specimen placed shall have cylindrical in shape with internal diameter of 12.5 mm and length of about 50 mm.

- d) Pressure sensors — It senses pressure and maintain constant pressure in the system. The pressure sensor shall be able to measure the difference across the orifice in the range of - 2 kPa to + 10 kPa).
- e) Pressure adjustment — Potentiometer type pressure adjusting or pressure adjustments switch to maintain required pressure of the system.
- f) Orifice — The orifice with diameter of 5 mm shall be provided in the instrument to maintain pressure difference across the orifice.

E-2.2 Balance — balance capable of weighing the specimen to a sensitivity of 1 mg

E-2.3 Device for Fibre Cutting — fibre cutter or a pair of scissors

E-3 OPERATION OF THE INSTRUMENT

- a) The sample shall be prepared as per procedure mentioned in [D-4](#). Then sample shall be introduced into plug cell by wrapping with paper strip. The paper then

taken out or torn off by pushing the bundle gently either way, keeping the fibre ends flush with the cell ends;

- b) The specimen shall be placed in fibre plug cell and the standard pressure for jute fibre may be adjusted (0.72 kPa) by knob provided in the instrument; and
- c) Press “Test” button for measuring fineness of fibre.

E-4 PREPARATION OF TEST SPECIMEN

Fibres of 100 mm length are shall be taken at random from the middle regions (leaving aside the rooty bottom and under-retted crop ends) of several reeds, covering the full range of the sample. The fibre portion is cleaned to free it from barky, specky and knotty spots, hard gummy fibres and dust. Combing is not recommended for jute fibre. After cleaning, the fibres are cut to a length of 5 cm and bundle shall be weighed with electronic weighing balance having an accuracy of ± 5 mg. The weight of the fibre shall not be more than 3.0 g.

E-5 Bundle Insertion in Fibre Plug Cell

The weighed bundle shall be placed diagonally on a piece of paper, wrap tightly and insert into the cylindrical plug cell. The paper shall be taken out by pushing the bundle in plug cell leaving the fibre end flush with the cell ends. Then, plug cell shall be fitted to fibre plug.

E-6 PROCEDURE

- a) It shall be made in such a way that the necessary adjustments are appropriate to instruments particularly about system pressure. If system pressure is fluctuating, the required pressure shall be set by operating system for 5 min;
- b) The specimen shall be placed in fibre plug cell and the standard operating pressure for jute fibre may be adjusted (0.72 kPa \pm 0.1 kPa) by knob and note down the fineness of fibre;
- c) Repeat the procedure and take 3 readings for each specimen and repeat the other two specimens; and
- d) Find the average of the nine readings.

E-7 SENSITIVITY OF INSTRUMENT

The sensitivity of the instrument shall not be more than 2 percent. The instrument shall be calibrated at least once in a year. If the instrument provides sensitivity more than 2 percent, report it in final report.

E-8 CALIBRATION OF DIGITAL FINENESS METER

The length and weight of the specimen shall be same that of specimen required for mechanical fineness instrument. The fineness of fibre may be measured in a digital instrument and mechanical instrument and correction factor may be calculated by dividing value of digital instrument from value of mechanical instrument.

Instrument display shows set factor option while pressing long the both 'START' and 'TEST' button simultaneously. The correction factor shall be set either by 'START' button or 'TEST' Button. Correction value can be increased by pressing START button and decreased by pressing 'TEST' Button. After setting the correction factor, both the buttons shall be pressed for storing the value.

Indian Standard

TEXTILES — PHYSICAL CHARACTERISTICS OF UNCUT INDIAN JUTE, *MESTA* AND *BIMLI* FIBRES — METHODS OF TEST

PART 9 COLOUR

1 SCOPE

This standard prescribes a method for measuring colour of jute, *Mesta* and *Bimli* fibres by reflectance photometer.

2 PRINCIPLE

The instrument is based on the principle of measuring the optical reflectance (or reflectivity) of objects, that is, the fraction of the incident optical power which is reflected.

3 APPARATUS

3.1 Photo-Electric Sensor

Photo-electric sensor shall consist primarily of an emitter for emitting light and a receiver for receiving light.

3.2 Wooden Platform

The length and width of wood platform shall be more than the length and width of the instrument. The colour of wood platform shall be black. It shall have lock arrangement for better holding of fibre.

NOTE — One suitable instrument developed by ICAR - National Institute of Natural Fibre Engineering and Technology, Kolkata is described in Annex F.

4 PREPARATION OF TEST SPECIMENS

A minimum 10 full-length reeds shall be taken from the fibre reed randomly from the representative

sample. The reeds shall be cleaned and made free from dust and dirt. The sample portion shall be placed on the platform and locked. Manually cleaning is recommended.

5 CONDITIONING AND TESTING OF TEST SPECIMENS

The test shall be carried out in prevailing atmospheric conditions. However, in case of dispute, the conditioning and testing shall be carried out at standard atmospheric conditions of (65 ± 2) percent relative humidity and (27 ± 2) °C temperature (*see* IS 196 and IS 6359).

6 PROCEDURE

Ensure the instrument's proper functioning and calibrate it. Securely place the reed portion of the sample on the platform. Position a colour meter on the fibre-containing platform. Check the colour at three reed positions (top, middle, and lower), taking three readings at each location. Consider the average value of the nine readings for evaluation.

7 TEST REPORT

The report shall include the following information:

- a) The instrument used;
- b) Number of test specimens;
- c) Colour value; and
- d) Type of fibre tested.

ANNEX F

(Clause 3.2, Foreword)

NINFET COLOUR AND LUSTRE TESTER

(Mention of the name 'NINFET colour and lustre tester' of a specific (or proprietary), instrument is not intended to promote, or give preference to the use of this instrument over others)

F-1 PRINCIPLE

The colour and lustre meter works on the principle of reflectance photometer. The sample to be measured shall be positioned in the wooden platform on which colour meter placed.

F-2 APPARATUS

F-2.1 Photo-electric sensor shall consist primarily of an emitter for emitting light and a receiver for receiving light. The electronic version of the colour meter shall consist of the following components:

- a) Photo-electric sensor — Photo-electric sensor shall consist primarily of an emitter for emitting light and a Receiver for receiving light. Sensor must be located at 45° for better reflection and emission of light. Four LED strip light bulbs shall be equipped for light source. For colour measurement, two PIN photodiode sensor (BPW34) must be used;
- b) Area of light falling — Area of light impinging shall not be more than 250 mm²; and
- c) Wood platform — Length and width of wood platform shall be more than the length and width of colour meter. The colour of wood platform shall be black. It shall have lock arrangement for better holding of fibre.

F-2.2 Accuracy

Uncertainty of the digital colour meter shall not be more than 0.05 percent.

F-3 Description

It consists of incandescent light source, sensor, display and wooden platform to place the sample. In this instrument, incandescent source of light and light dependent resistor are used to accept the reflected light from the sample under test. The instrument has three high brightness LED at angle of 45° to horizontal to provide required illumination on the object. Array of silicon PIN photodiode sensors (BPW34) (4 No's), of which three are placed exactly in the centre for colour measurement and one at 45° to the horizontal for lustre, sense reflected light and converts it to voltage, which is

calibrated for colour and lustre. The specimen to be measured should be placed beneath the instrument and TEST button is pressed for results. The values of colour will be with respect to whiteness and the lustre value will be shown as the ratio of specular reflection value divided by the diffused reflection value (S/D). The instrument has wooden platform on which specimens are placed to avoid external lights interference with the system.

F-3.1 Sensitivity

The sensitivity of the instrument for colour measurement shall be 0.1 percent. If the sensitivity of the instrument more than 2 percent, mention in final report.

F-3.2 Calibration

The same fibre specimen shall be checked in colour and lustre meter, and colour spectrophotometer. The Whiteness Index (WI) value of the spectrophotometer shall be set in the digital instrument. It is advice to calibrate at least once in a year for better accuracy and precision.

F-4 SAMPLING

A minimum of 20 full-length reeds shall be taken from the fibre reed randomly from the representative sample. The reeds shall be cleaned and made free from dust and dirt. The sample portion shall be placed on the platform and locked. Manually cleaning is recommended.

F-5 OPERATIONS OF THE INSTRUMENT

- a) Adjustments appropriate to instruments shall be made, especially checking the battery charge percentage as described in the user manual. When the battery level percentage of the meter is less than 50 percent, measurement shall not be conducted;
- b) The wooden platform shall be locked after the fibre is placed on it;
- c) On pressing the test switch, the instrument display shall show the colour (percent) and lustre value;
- d) Regularly clean the instrument with a brush to ensure that the photodiode sensors are free from dust; and

- e) Whenever a battery discharges too early, it shall be replaced.

F-6 PROCEDURE

- a) Assure that instrument is in proper operating conditions and check the calibration;
- b) Place the reed portion of the sample on platform and secure;
- c) A colour meter shall be placed on the platform having the fibre; and

- d) The colour shall be checked at three positions of the reed (top, middle, and lower) and take three reading of same location.

F-7 CALCULATION

The arithmetic mean of nine readings shall be considered.

ANNEX G

(Foreword)

COMMITTEE COMPOSITION

Physical Methods of Test Sectional Committee, TXD 01

<i>Organization</i>	<i>Representative(s)</i>
ICAR - Central Institute for Research on Cotton Technology, Mumbai	DR A. S. M. RAJA (<i>Chairperson</i>)
Ahmedabad Textile Industries Research Association, Ahmedabad	SHRIMATI DEEPALI PLAWAT SHRI JIGAR DAVE (<i>Alternate</i>)
Central Silk Technological Research Institute, Bengaluru	DR S. PERIYASAMY DR PRAKASH N. BHAT (<i>Alternate</i>)
Delta Ropes Manufacturing Company, Kolkata	SHRI ANAND MAJARIA SHRI AAYUSH MAJARIA (<i>Alternate</i>)
Directorate General of Quality Assurance, New Delhi	SHRI R. K. BARUAH SHRI P. H. TEMBHEKAR (<i>Alternate</i>)
Garware Technical Fibres Limited, Pune	SHRI SACHIN P. KULKARNI SHRI NEERAJ SRIVASTAVA (<i>Alternate</i>)
ICAR - Central Institute for Research on Cotton Technology, Mumbai	DR T. SENTHILKUMAR DR A. ARPUTHARAJ (<i>Alternate</i>)
ICAR - National Institute of Natural Fibre Engineering and Technology, Kolkata	DR SANTANU BASAK DR NAGESH KUMAR T. (<i>Alternate</i>)
Imposub Solutions, Vadodara	SHRI GIRISH T. MASAND
Indian Institute of Technology Delhi, Department of Textile and Fibre Engineering, New Delhi	PROF R. S. RENGASAMY PROF APURBA DAS (<i>Alternate</i>)
Indian Jute Industries Research Association, Kolkata	SHRIMATI SAUMITA CHOUDHURY SHRI DEBI PRASAD GON (<i>Alternate</i>)
Indian Jute Mills Association, Kolkata	SHRI SAMIR KUMAR CHANDRA SHRI BHUDIPTA SAHA (<i>Alternate</i>)
Kusumgar Corporates Private Limited, Vapi	SHRI Y. K. KUSUMGAR DR M. K. TALUKDAR (<i>Alternate</i>)
MSME Testing Center, New Delhi	SHRI PHOOL SINGH
National Test House, Kolkata	SHRI S. P. KALIA SHRI VIPIN V. (<i>Alternate</i>)
Northern India Textile Research Association, Ghaziabad	SHRI SANJEEV SHUKLA
Office of the Jute Commissioner, Kolkata	SHRI SOUMYADIPTA DATTA SHRI ASUNA MUKHEREJEE (<i>Alternate</i>)
Office of the Textile Commissioner, Mumbai	SHRI SIVAKUMAR S. SHRI GAURAV GUPTA (<i>Alternate</i>)
Reliance Industries Limited, Mumbai	SHRI S. V. RAJU

<i>Organization</i>	<i>Representative(s)</i>
SGS India Private Limited, Mumbai	DR KARTHIKEYAN K. DR ANITHA JEYARAJ (<i>Alternate</i>)
Texanlab Laboratories Private Limited, Navi Mumbai	SHRI HARIT SARDANA SHRI VIVEK PATIL (<i>Alternate</i>)
Textiles Committee, Mumbai	SHRI KARTIKAY DHANDA DR P. RAVICHANDRAN (<i>Alternate</i>)
Thanawala and Company, Mumbai	SHRI HEMAL M. THANAWALA SHRI VIVAAN THANAWALA (<i>Alternate</i>)
The Bombay Textile Research Association, Mumbai	SHRI R. A. SHAIKH
The Synthetic and Art Silk Mills Research Association, Mumbai	DR MANISHA MATHUR SHRIMATI A. SUDAM (<i>Alternate</i>)
Tirupati Technik, Mumbai	SHRI VISHAL MASAND
TUV Rhineland (India) Private Limited, Mumbai	DR P. S. SUNDARAM SHRI SHIVENDRA PARMAR (<i>Alternate</i>)
Veermata Jijabai Technological Institute, Mumbai	DR SURANJANA GANGOPADHYAY SHRI S. P. BORKAR (<i>Alternate</i>)
Welspun India Limited, Mumbai	SHRI RAJEEV CHAUHAN SHRI SRIDHAR DEVARAKONDA (<i>Alternate</i>)
Wool Research Association, Thane	SHRIMATI SEEMA PATEL SHRI MAYUR BASUK (<i>Alternate</i>)
World Traders Manufacturing Company, Mumbai	SHRI VARUN GUPTA SHRI ADITYA GUPTA (<i>Alternate</i>)
BIS Directorate General	SHRI J. K. GUPTA, SCIENTIST 'E'/DIRECTOR AND HEAD (TEXTILES) [REPRESENTING DIRECTOR GENERAL (<i>Ex-officio</i>)]

Member Secretary

SHRI AMIT KUMAR PANDEY
SCIENTIST 'B'/ASSISTANT DIRECTOR
(TEXTILES), BIS

(Continued from second cover)

The Bureau of Indian Standards draws attention to the fact that it is claimed that compliance with this document may involve the use of a patent concerning “AN ELECTRICALLY OPERATED PORTABLE DEVICE FOR INFIELD TESTING OF JUTE FIBRE BUNDLE STRENGTH, AN ELECTRONIC AIR-FLOW FINENESS METER DEVICE, and DIGITAL COLOUR AND LUSTER METER FOR LIGNOCELLULOSIC FIBRE” as given in Part 7 (Annex A), Part 8 (Annex E), and Part 9 (Annex F) respectively.

BIS take(s) no position concerning the evidence, validity and scope of this patent right. The holder of this patent right has assured the BIS that he is willing to negotiate licenses under reasonable and non-discriminatory terms and conditions with applicants throughout the world. In this respect, the statement of the holder of this patent right is registered with BIS. Information may be obtained from:

ICAR - National Institute of Natural Fibre Engineering and Technology, Kolkata.

Attention is drawn to the possibility that some of the elements of this document may be the subject of patent rights other than those identified above. BIS shall not be held responsible for identifying any or all such patent rights.

The composition of the Committee responsible for the formulation of this standard is given in [Annex G](#).

In reporting the result of a test or analysis made in accordance with this standard, if the final value, observed or calculated, is to be rounded off, it shall be done in accordance with IS 2 : 2022 ‘Rules for rounding off numerical values (*second revision*)’.

Bureau of Indian Standards

BIS is a statutory institution established under the *Bureau of Indian Standards Act, 2016* to promote harmonious development of the activities of standardization, marking and quality certification of goods and attending to connected matters in the country.

Copyright

BIS has the copyright of all its publications. No part of these publications may be reproduced in any form without the prior permission in writing of BIS. This does not preclude the free use, in the course of implementing the standard, of necessary details, such as symbols and sizes, type or grade designations. Enquiries relating to copyright be addressed to the Head (Publication & Sales), BIS.

Review of Indian Standards

Amendments are issued to standards as the need arises on the basis of comments. Standards are also reviewed periodically; a standard along with amendments is reaffirmed when such review indicates that no changes are needed; if the review indicates that changes are needed, it is taken up for revision. Users of Indian Standards should ascertain that they are in possession of the latest amendments or edition by referring to the website-www.bis.gov.in or www.standardsbis.in.

This Indian Standard has been developed from Doc No.: TXD 01 (25026).

Amendments Issued Since Publication

Amend No.	Date of Issue	Text Affected

BUREAU OF INDIAN STANDARDS

Headquarters:

Manak Bhavan, 9 Bahadur Shah Zafar Marg, New Delhi 110002

Telephones: 2323 0131, 2323 3375, 2323 9402

Website: www.bis.gov.in

Regional Offices:

	Telephones
Central : 601/A, Konnectus Tower -1, 6 th Floor, DMRC Building, Bhavbhuti Marg, New Delhi 110002	{ 2323 7617
Eastern : 8 th Floor, Plot No 7/7 & 7/8, CP Block, Sector V, Salt Lake, Kolkata, West Bengal 700091	{ 2367 0012 2320 9474
Northern : Plot No. 4-A, Sector 27-B, Madhya Marg, Chandigarh 160019	{ 265 9930
Southern : C.I.T. Campus, IV Cross Road, Taramani, Chennai 600113	{ 2254 1442 2254 1216
Western : 5 th Floor/MTNL CETTM, Technology Street, Hiranandani Gardens, Powai Mumbai 400076	{ 25700030 25702715

Branches : AHMEDABAD, BENGALURU, BHOPAL, BHUBANESHWAR, CHANDIGARH, CHENNAI, COIMBATORE, DEHRADUN, DELHI, FARIDABAD, GHAZIABAD, GUWAHATI, HARYANA (CHANDIGARH), HUBLI, HYDERABAD, JAIPUR, JAMMU, JAMSHEDPUR, KOCHI, KOLKATA, LUCKNOW, MADURAI, MUMBAI, NAGPUR, NOIDA, PARWANOO, PATNA, PUNE, RAIPUR, RAJKOT, SURAT, VIJAYAWADA.