

---

---

प्रकाशिकी और फोटोनिक्स — प्रकाशीय तत्वों  
और प्रणालियों के लिए आरेखण तैयार करना  
भाग 4 सतह की त्रुटियाँ

Optics and Photonics — Preparation  
of Drawings for Optical Elements  
and Systems

Part 4 Surface Imperfections

ICS 37.020; 01.100.20

© BIS 2024  
© ISO 2017



भारतीय मानक ब्यूरो  
BUREAU OF INDIAN STANDARDS  
मानक भवन, 9 बहादुर शाह ज़फर मार्ग, नई दिल्ली - 110002  
MANAK BHAVAN, 9 BAHADUR SHAH ZAFAR MARG  
NEW DELHI - 110002

[www.bis.gov.in](http://www.bis.gov.in) [www.standardsbis.in](http://www.standardsbis.in)

## NATIONAL FOREWORD

This Indian Standard (Part 4) which is identical to ISO 10110-7 : 2017 'Optics and photonics — Preparation of drawings for optical elements and systems — Part 7: Surface imperfections' issued by the International Organization for Standardization (ISO) was adopted by the Bureau of Indian Standards on the recommendation of the Optics and Photonics Sectional Committee and approval of the Production and General Engineering Division Council.

This standard specifies the presentation of design and functional requirements for single optical elements and optical assemblies in technical drawings used for their manufacture and inspection. It also specifies the indication of the level of acceptability of surface imperfections within a test region on individual optical elements and optical assemblies. These include localized surface imperfections, edge chips and long scratches.

IS 5920 (Part 1) supersedes the originally published Indian Standard IS 5920 : 1970 'Recommendation for the preparation of drawing for optical elements and system'.

This standard has been published in thirteen parts. The other parts in this series are:

Part 1	General
Part 2	Surface form tolerances
Part 3	Centring tolerances
Part 5	Surface texture
Part 6	Surface treatment and coating
Part 7	Non-toleranced data
Part 8	Aspheric surfaces
Part 9	Wavefront deformation tolerance
Part 10	Diffraction surfaces
Part 11	Laser irradiation damage threshold
Part 12	Stress birefringence, bubbles and inclusions, homogeneity, and striae
Part 13	General description of surfaces and components

The text of ISO standard has been approved as suitable for publication as an Indian Standard without deviations. Certain conventions are, however, not identical to those used in Indian Standards. Attention is particularly drawn to the following:

- Wherever the words 'International Standard' appear referring to this standard, they should be read as 'Indian Standard'; and
- Comma (,) has been used as a decimal marker while in Indian Standards, the current-practice is to use a point (.) as the decimal marker.

In this adopted standard, reference appears to the following International Standard for which Indian Standard also exists. The corresponding Indian Standard which is to be substituted in its place is given below along with its degree of equivalence for the edition indicated:

<i>International Standard</i>	<i>Corresponding Indian Standard</i>	<i>Degree of Equivalence</i>
ISO 10110-1 Optics and photonics — Preparation of drawings for optical elements and systems — Part 1: General	IS 5920 (Part 1) : 2024/ ISO 10110-1 : 2019 — Optics and photonics — Preparation of drawings for optical elements and systems: Part 1 General	Identical

[\*\(Continued on third cover\)\*](#)

# Contents

Page

<b>Introduction</b> .....	<b>iv</b>
<b>1 Scope</b> .....	<b>1</b>
<b>2 Normative references</b> .....	<b>1</b>
<b>3 Terms and definitions</b> .....	<b>1</b>
<b>4 Indication in drawings</b> .....	<b>3</b>
4.1 General.....	3
4.2 Dimensional specification method for optical elements and assemblies.....	3
4.2.1 Maximum permissible surface imperfections.....	3
4.2.2 Surface imperfection indication for the dimensional specification method.....	6
4.2.3 Imperfections with a smaller grade number in the dimensional specification method.....	6
4.2.4 Concentrations of surface imperfections in the dimensional specification method.....	6
4.2.5 Test methods for the dimensional specification method.....	7
4.3 Visibility specification method for optical elements and assemblies.....	7
4.3.1 Maximum permissible surface imperfections.....	7
4.3.2 Visibility specification imperfections with smaller grade number.....	10
4.3.3 Concentrations of visibility imperfections.....	10
4.3.4 Test method for visibility.....	10
4.4 Location of the indication.....	10
<b>Bibliography</b> .....	<b>12</b>

## Introduction

A localized surface imperfection, such as a dig or a scratch resulting from handling or manufacture, can degrade the perceived quality of an optical component. In some cases, surface imperfections are specified according to their visibility, and in other cases, according to their size.

Visual dark field inspection reveals the location of very small imperfections. The use of a brightness comparison standard, together with tolerance levels agreed upon by the manufacturer and user, permits classification of an imperfection as acceptable or unacceptable. This form of subjective inspection based on visibility or a visual assessment of brightness or apparent size, although economical and fast, lacks precision.

In cases where the size, and not the brightness, is important, surface imperfections are specified according to their affected area (dimensional assessment). In this case, visual assessment using a dimensional comparison standard is still possible, but lacks the precision required for some applications. Measurement is only required as a second stage operation following a visual inspection to determine location and to select a surface imperfection worthy of study. In such cases, a drawing notation indicating this level of inspection is required and can be added to the specification.

*Indian Standard*

# OPTICS AND PHOTONICS — PREPARATION OF DRAWINGS FOR OPTICAL ELEMENTS AND SYSTEMS

## PART 4 SURFACE IMPERFECTIONS

### 1 Scope

ISO 10110 (all parts) specifies the presentation of design and functional requirements for single optical elements and for optical assemblies in technical drawings used for their manufacture and inspection.

This document specifies the indication of the level of acceptability of surface imperfections within a test region on individual optical elements and optical assemblies. These include localized surface imperfections, edge chips and long scratches.

The acceptance level for imperfections is specified, taking into account functional effects (affecting image formation or durability of the optical element), as well as cosmetic (appearance) effects.

This document applies to transmitting and reflecting surfaces of finished optical elements, whether or not they are coated, and to optical assemblies. It allows permissible imperfections to be specified according to the area affected by imperfections, or alternatively by the visibility of imperfections, on components or in optical assemblies.

### 2 Normative references

The following documents are referred to in the text in such a way that some or all of their content constitutes requirements of this document. For dated references, only the edition cited applies. For undated references, the latest edition of the referenced document (including any amendments) applies.

ISO 10110-1, *Optics and photonics — Preparation of drawings for optical elements and systems — Part 1: General*

ISO 14997, *Optics and photonics — Test methods for surface imperfections of optical elements*

### 3 Terms and definitions

For the purposes of this document, the terms and definitions given in ISO 10110-1 and the following apply.

ISO and IEC maintain terminological databases for use in standardization at the following addresses:

- IEC Electropedia: available at <http://www.electropedia.org/>
- ISO Online browsing platform: available at <http://www.iso.org/obp>

NOTE See also [Figure 1](#) for an illustration of the classification of imperfections.

### 3.1 localized surface imperfection

artefact of limited extent within a test region on an optical surface, optical element or optical assembly produced by improper treatment during or after fabrication or in use, or by a material imperfection located at the surface

Note 1 to entry: Examples of localized artefacts are scratches, pits, sleeves, scuffs and fixture marks and adherent particles. Also included are localized coating imperfections defined in ISO 9211-1. The line-like imperfections in ISO 9211-1 are regarded as kinds of scratches. The point-like imperfections in ISO 9211-1 are regarded as kinds of digs. Imperfections can be on a surface or within the material. ISO 9802 includes a glossary of terms in use.

Note 2 to entry: Localized surface imperfections in optical assemblies can occur on any optical surface of the assembly. This also includes bubbles and inclusions in a cement layer of the optical subassembly.

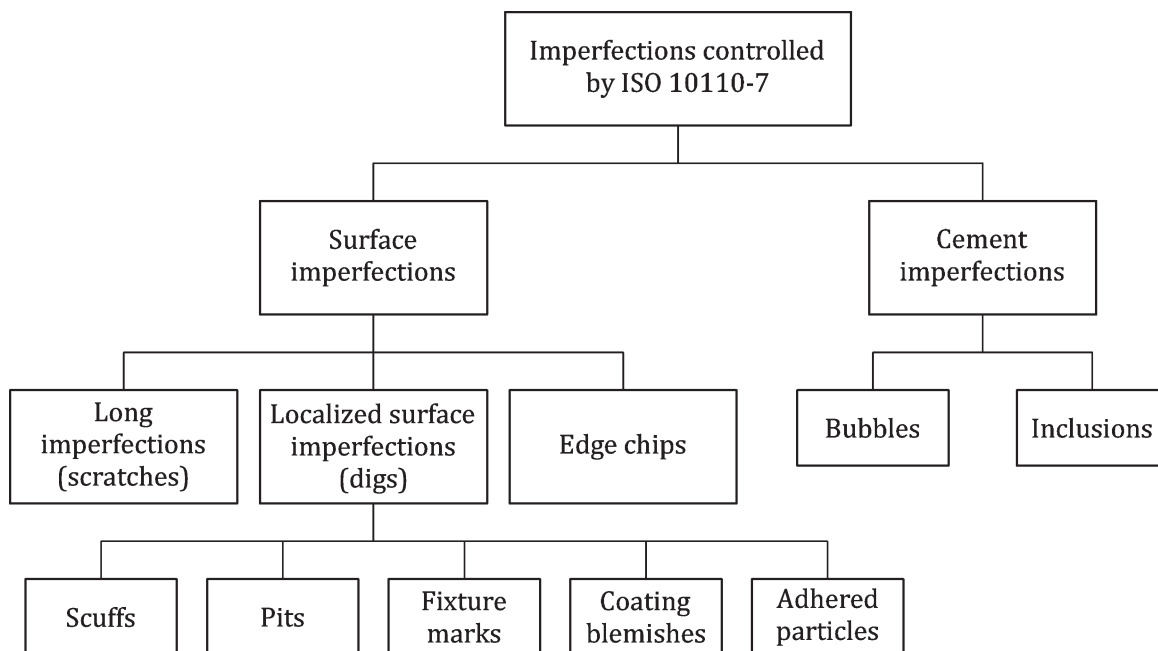


Figure 1 — Classification of imperfections

### 3.2 long scratch

surface imperfection longer than 2 mm

Note 1 to entry: These imperfections tend to be more visible than shorter imperfections of the same width because of their length.

### 3.3 edge chip

material entirely removed due to fracture near the periphery of an element

Note 1 to entry: Any separation of material remaining connected to the element is defined as a fracture and is not acceptable.

Note 2 to entry: Even if edge chips are outside the optically effective area, they can detrimentally affect the performance of optical systems by disturbing the sealing of elements or by giving rise to a source of scattered light or to sites of crack propagation.

### 3.4 dig

localized surface imperfection which is not a long scratch

### 3.5

#### scuff

thin surface imperfection which is shorter than 2 mm

## 4 Indication in drawings

### 4.1 General

A code number and a numerical term give the indication of permissible surface and localized imperfections. The code number for surface imperfections on individual optical elements or surfaces is 5/ and the code number for surface imperfections within optical assemblies is 15/.

One or more test regions for surface imperfection specifications may be indicated for an optical surface. If no test regions are indicated, the test region shall be the effective aperture of the surface.

Two different methods of tolerance for imperfections are allowed. The method used is defined by the notation on the drawing. Notations for the specification of the dimensions or size of imperfections are given in 4.2. Notations for the specification of the visibility or appearance of imperfections are given in 4.3.

In ISO 14997, a hierarchy of inspection levels is described. Preference for visual review only (level IV<sub>V</sub> or IV<sub>D</sub> inspection), a subjective comparison inspection (level IS<sub>D</sub> for dimensional specifications or IS<sub>V</sub> for visibility specifications) or an objective measurement only (level IM<sub>D</sub> for dimensional specifications) may be recorded with a notation as described in 4.2.5 and 4.3.4.

### 4.2 Dimensional specification method for optical elements and assemblies

#### 4.2.1 Maximum permissible surface imperfections

##### 4.2.1.1 Surface imperfections in the dimensional specification method (general imperfections)

When the dimensional specification method is used, the drawing indication for number and size of surface imperfections that are permissible within the test region of an optical surface is

$$5/N_g \times A_g$$

and for localized surface imperfections in optical assemblies, it is

$$15/N_g \times A_g$$

where

$N_g$  is the number of allowed imperfections;

$A_g$  is the grade number which is equal to the square root of the area of the maximum allowed imperfection, expressed in millimetres as defined in ISO 14997.

Specified grades shall be selected according to the Renard R5 series; acceptable values of grades of surface imperfections are 4; 2,5; 1,6; 1,0; 0,63; 0,4; 0,25; 0,16; 0,1; 0,063; 0,04; 0,025; 0,016 and 0,01. While values greater than 4 or less than 0,01 are allowed, they are not recommended.

In cases where a separate tolerance for long scratches is given, general imperfection tolerances greater than 2 mm should not be used.

In the case of an optical system or subassembly, where the indication 15/ is not used, the surface imperfection tolerances given for the individual elements apply also for the surfaces of the optical system or subassembly, i.e. after cementing (or optically contacting). Imperfection tolerances for

cemented surfaces taken from the element drawings should be adjusted to consider the enlarged or reduced view of the imperfections through an optical element. For example, if an imperfection is to be viewed through a strong negative lens, it will appear to be smaller than it really is. Conversely, if it is to be viewed through a strong positive lens, it will appear to be larger than it really is.

#### 4.2.1.2 Maximum permissible width of imperfections

If necessary, to limit the widths of imperfections, the indication may be supplemented with the indication of the maximum permissible width of the imperfection. By limiting both the area and the width, the length is necessarily constrained as well. In this case, the indication becomes

$$5/ \text{ or } 15/N_g \times A_g; WA_w$$

where

W is the designation for width;

$A_w$  is the maximum permissible width of any imperfection, expressed in millimetres.

EXAMPLE 5/1 × 0,25; W0,04

In this example, the maximum allowed width of an imperfection is 0,04 mm, while the maximum allowed area of an imperfection is 0,25 mm × 0,25 mm or 0,062 5 mm<sup>2</sup>. Thus, the maximum permissible length of a maximum width imperfection is 0,062 5 mm<sup>2</sup> /0,04 mm or 1,6 mm.

#### 4.2.1.3 Coating imperfections

A coating imperfection tolerance may be written after the indication for surface imperfections and separated from it by a semicolon. The indication for coating imperfections that are permissible within the test region of the optical surface or assembly is

$$CN_c \times A_c$$

where

C is the designation for coating imperfections;

$N_c$  is the number of allowed blemishes of maximum permitted size;

$A_c$  is the grade number as defined in [4.2.1.1](#).

The imperfection indication including coating imperfections is

$$5/N_g \times A_g; CN_c \times A_c$$

for optical surfaces and

$$15/N_g \times A_g; CN_c \times A_c$$

for optical assemblies.

If no separate indication for coating imperfections is given, coating imperfections shall be included in the permissible surface imperfection indication:

$$5/ \text{ or } 15/N_g \times A_g$$



#### 4.2.1.4 Long scratches

A tolerance for long scratches (longer than 2 mm) may be written after the indication for surface imperfections (and coating imperfections, if given). The indication for long scratches that are permissible within a test region of an optical surface or assembly is

$$LN_1 \times A_1$$

where

L is the indication for long scratches;

$N_1$  is the number of allowed long scratches;

$A_1$  specifies the maximum allowed width of the long scratches, expressed in millimetres.

Specified widths shall be selected according to the Renard R5 series; acceptable values of widths are 0,1; 0,063; 0,04; 0,025; 0,016; and 0,01; 0,006 and 0,004. Widths greater than 0,1 or less than 0,004 are possible, but are not recommended.

Note that this indication for long scratches, L, cannot be combined with a specification of the maximum permissible width, W.

The imperfection indication including coating imperfections and long scratches is

$$5/ \text{ or } 15/N_g \times A_g; CN_c \times A_c; LN_1 \times A_1$$

If no separate indication for long scratches or coating imperfections is given, it shall be included in the permissible surface imperfection indication:

$$5/ \text{ or } 15/N_g \times A_g$$

#### 4.2.1.5 Edge chips

Following the indication for surface imperfections (and coating imperfections, and/or long scratches, if given) and separated from them by a semicolon, the indication for permissible edge chips is

$$EA_e$$

where E is the designation for edge chips and the value  $A_e$  specifies the maximum permissible extent of a chip measured from the physical edge of the surface toward the centre of the surface, or cell in the case of an optical assembly, measured parallel to the surface, in millimetres.

Any number of edge chips is permissible as long as their extent from the edge does not exceed  $A_e$ . If no explicit indication for edge chips is given, edge chips are allowed as long as they do not extend into the optical effective area.

In some cases, it can be desirable to evaluate edge chips differently, e.g. as projected onto a plane orthogonal to the optical axis. In these cases, the evaluation criteria should be clarified with a note.

In the case of a protective chamfer, the physical edge is considered to be the outer non-optical surface. In the case of a functional bevel, the physical edge is considered to be the boundary between the bevel and the optical surface.

Edge chip allowances may be applied to a cemented surface in an optical assembly.

#### 4.2.2 Surface imperfection indication for the dimensional specification method

The complete imperfection indication, including coating imperfections, long scratches and edge chips is

$$5/ \text{ or } 15/N_g \times A_g; CN_c \times A_c; LN_l \times A_l; EA_e$$

or in the case of an indication with maximum width, coating imperfections, and edge chips,

$$5/ \text{ or } 15/N_g \times A_g; WA_w; CN_c \times A_c; EA_e$$

where

5/ represents surface imperfections;

15/ represents surface imperfections in optical assemblies;

$N_g \times A_g$  is for surface imperfections;

$WA_w$  is for maximum allowable widths of surface imperfections;

$CN_c \times A_c$  is for coating imperfections;

$LN_l \times A_l$  is for long scratches;

$EA_e$  is for edge chips.

NOTE Indications in the form 5/TV and 5/RV are indications of Method II of the first edition of this document (ISO 10110-7:1996).

If more than one type of surface imperfection is given, these surface imperfections or localized imperfections in optical assemblies are permissible independent of each other. If, for example, there is both a general surface imperfection specification and a specification for long scratches, the long scratches are not counted as general imperfections.

#### 4.2.3 Imperfections with a smaller grade number in the dimensional specification method

A larger number of surface imperfections (including coating imperfections) with a smaller grade number is permitted, if the sum of their areas does not exceed the maximum total area.

$N_g \times A_g^2$  is for surface imperfections;

$N_c \times A_c^2$  is for coating imperfections.

When determining the number of permissible surface imperfections or localized imperfections in optical assemblies, those with a grade number of 0,16A or smaller shall not be counted.

A larger number of long scratches is allowed, provided that the sum of their widths does not exceed  $N_l \times A_l$ . In calculating this sum, scratches with widths 0,25A<sub>l</sub> or smaller shall not be counted.

NOTE In previous editions of this document, 0,3A<sub>l</sub> was used. This, however, was inconsistent with the use of the Renard series for grades. It has been corrected in this edition.

#### 4.2.4 Concentrations of surface imperfections in the dimensional specification method

Concentrations of surface imperfections are not allowed. A concentration occurs when more than 20 % of the number of allowed maximum grade imperfections is found in any 5 % sub-area of the test region (which has a similar form as the test area). If the total number of allowed imperfections is less than 10, then two or more maximum grade imperfections falling within such a 5 % sub-area of the surface constitute a concentration.

For any imperfections with a grade of one to three classes smaller (down to 0,25A) than the maximum grade and within any 5 % of the test region, accumulate the grade numbers to find the equivalent number of imperfections of maximum grade, rounding up. Then evaluate as described for maximum grade imperfections.

For long scratches within any 5 % of the test region, evaluate their accumulated width down to 0,4A<sub>I</sub>, accordingly.

#### 4.2.5 Test methods for the dimensional specification method

Three methods for inspecting surfaces and for determining grade numbers of imperfections specified using the affected area method are described in ISO 14997. If a specific method of inspection is to be used, it may be identified on the drawing. The inspection method is indicated at the end of the surface imperfection notation with a two-letter code with index, following a semicolon.

The visual evaluation method is typically used for mass-produced optics. The indication is IV<sub>D</sub>.

The dimensional comparison inspection method employs subjective comparison standards of grades with lines and dots of known dimension. The indication is IS<sub>D</sub>.

The dimensional comparison inspection with magnification employs the same comparison standard, but allows magnification using a loupe, stereo microscope, or similar device. The indication is IM<sub>D</sub>.

NOTE In previous editions of this document, the dimensional comparison inspection was indicated by IO.

Other methods not discussed in ISO 14997 for inspecting surfaces employ some objective measurement of size or brightness. Note, however, that information regarding the method or instrument to be used is necessary, as it is not covered under ISO 14997.

### 4.3 Visibility specification method for optical elements and assemblies

#### 4.3.1 Maximum permissible surface imperfections

##### 4.3.1.1 Surface imperfections in the visibility specification method

When the visibility method is used, the drawing indication for surface imperfections that are permissible within a test region of an optical surface is

5/S-D

and for localized surface imperfections in optical assemblies, it is

15/S-D

The indication in the form S-D specifies the maximum grade of allowed long imperfections (scratches), S, and the maximum grade of the allowed digs, D.

The scratch grade is arbitrary and is based on the visibility or visual weight of the scratch when compared to a scratch and dig comparison standard. Allowable grades are only those which are on the specified comparison standard set.

The combined length of maximum grade scratches located on each surface of an optical element shall not exceed one quarter of the test region.

NOTE 1 Typically, available scratch grades are 80, 60, 40, 20, or 10.

The dig grade is based on the apparent size of the imperfection. The apparent size of the imperfection is 10 times the grade number, in micrometres. Allowable grades are only those which are on the specified comparison standard set.

NOTE 2 Typically, available dig grades are 50, 40, 20, 10 or 5.

The number of allowed maximum size digs,  $N_d$ , is given by:

$$N_d = \varnothing_e / (20 \text{ mm}), \text{ rounding up}$$

NOTE 3 This proportion of allowed maximum size digs to the diameter of the test region is the default. If a different proportion is desired, it can be indicated in a note.

#### 4.3.1.2 Coating imperfections in the visibility specification method

A coating imperfection tolerance may be written after the indication for surface imperfections and separated from it by a semicolon. The indication for coating imperfections that are permissible within the test region of the optical surface or assembly is

$$CS'-D'$$

where

C is the designation for coating imperfections;

S' is the maximum permitted grade of the coating long scratch;

D' is the maximum permitted grade of the coating dig.

The combined length of maximum grade coating scratches located on each surface of an optical element shall not exceed one quarter of the test region of that element.

The number of allowed maximum size coating digs,  $N_c$ , is given by:

$$N_c = \varnothing_e / (20 \text{ mm}), \text{ rounding up}$$

The imperfection indication including coating imperfections is

$$5/S-D; CS'-D'$$

for optical surfaces and

$$15/S-D; CS'-D'$$

for optical assemblies.

If no separate indication for coating imperfections is given, it shall be included in the permissible surface imperfection indication:

$$5/S-D$$

#### 4.3.1.3 Edge chips in the visibility specification method

Following the indication for surface imperfections (and coating imperfections, and/or long scratches, if given) and separated from them by a semicolon, the indication for permissible edge chips may be added. The specification is as described in [4.2.1.5](#).

#### 4.3.1.4 Surface imperfection indication for the visibility specification method

The complete surface imperfection indication, including coating imperfections and edge chips, is

5/S-D; CS'-D'; EA<sub>e</sub>

where

- 5/ represents surface imperfections;
- 15/ represents surface imperfections in optical assemblies;
- S-D is for appearance surface imperfections (scratch and dig);
- CS'-D' is for appearance coating imperfections;
- EA<sub>e</sub> is for edge chips.

#### 4.3.1.5 Comparison standard for the visibility specification method

The comparison standard for visibility is assumed to be a comparison set which is traceable to some reference artefact or brightness standard. Since there are significant differences between different types of comparison standards, the make and model of the brightness comparison standard to be used shall be given in a note.

#### 4.3.1.6 Examples of visibility specification method

EXAMPLE 1 5/80-50

NOTE Use Davidson Optronics scratch and dig set D668<sup>1)</sup> or equivalent.

This example shows a requirement of 80-50 per the visibility specification, with the inspection to be performed using the scratch and dig set D668<sup>1)</sup> made by Davidson Optronics, or its equivalent, for the comparison inspections.

EXAMPLE 2 5/10-5; C40-20; E0,5

NOTE Use company abc scratch and dig comparison set.

This example shows a requirement of 10-5 per the visibility specification, and a coating imperfection requirement of 40-20 per the visibility specification and edge chips less than 0,5 mm, with the inspection to be performed using the scratch and dig set made by company abc for the comparison inspections.

EXAMPLE 3 5/3 × 0,4; C20-10; E0,5

NOTE Use US Army ARDEC scratch and dig set C7641866<sup>2)</sup> for evaluation of coating imperfections.

This example shows a requirement of 3 × 0,4 per the dimensional specification and a coating imperfection requirement of 20-10 per the visibility specification and edge chips less than 0,5 mm, with the visibility inspection to be performed using the scratch and dig set C7641866<sup>2)</sup> made by US Army ARDEC for the comparison inspections.

---

1) Davidson Optronics, D668 is an example of a suitable product available commercially. This information is given for the convenience of users of this document and does not constitute an endorsement by ISO of this product.

2) US Army ARDEC, C7641866 is an example of a suitable product available commercially. This information is given for the convenience of users of this document and does not constitute an endorsement by ISO of this product.

EXAMPLE 4 5/40-20; E0,5

NOTE Use Edmund Optics scratch paddle N53-197<sup>3)</sup>.

This example shows a requirement of 40-20 per the visibility specification and edge chips less than 0,5 mm, with the inspection to be performed using the scratch and dig paddle N53-197<sup>3)</sup> made by Edmund Optics for the comparison inspections.

#### 4.3.2 Visibility specification imperfections with smaller grade number

A larger number of long scratches is allowed, provided that the sum of the product of their grades times their length in millimetres does not exceed  $S \times \varnothing_e$  or  $S' \times \varnothing_e$  for coating imperfections.

In the event that a maximum permissible long scratch is present, the allowed accumulation is halved; that is, the sum of the product of their grade times their length cannot exceed  $S \times \varnothing_e/2$ .

A larger number of digs with a smaller grade number is permitted, if the sum of their grades is less than  $2 \times N_d \times D$  or  $2 \times N_c \times D'$  for coating imperfections.

When determining the number of permissible surface imperfections or coating imperfections, digs with a visibility significantly less than the comparison reference grade 5 shall not be counted.

#### 4.3.3 Concentrations of visibility imperfections

Concentrations of appearance imperfections are not allowed.

A scratch concentration occurs when more than four scratches are found within any 6,35 mm diameter circle.

A dig concentration occurs when the sum of the dig numbers of all digs within any 20 mm diameter circle is greater than  $2 \times D$  or  $2 \times D'$  for coating imperfections.

#### 4.3.4 Test method for visibility

Two methods for inspecting surfaces and for determining visibility of imperfections are described in ISO 14997. If a specific method of inspection is to be used, it may be identified on the drawing. The inspection method is indicated at the end of the surface imperfection notation with a two-letter code with index, following a semicolon.

The visual evaluation method is typical for mass-produced optics. The indication is  $IV_V$ .

The visibility comparison inspection method employs subjective comparison standards of grades with lines and dots of known brightness. The indication is  $IS_V$ .

### 4.4 Location of the indication

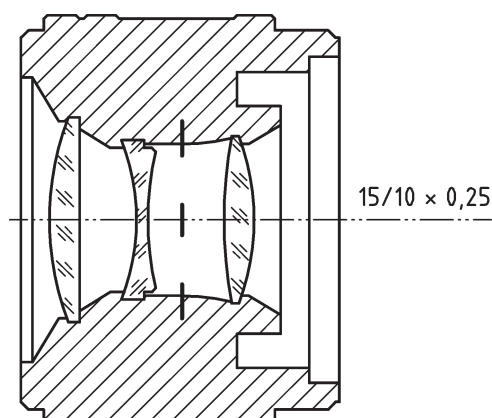
On tabulated drawings, the indication shall be entered in the table field corresponding to the surface to which it refers. If multiple surface imperfection indications are given for the same zone or surface, the surface is expected to pass all of them. An example of such an indication is given in ISO 10110-1:2006, Annex A.

On non-tabulated drawings, the indication shall be entered near the surface to which it refers. If necessary, the indication may be connected to the element by a leader. It should preferably be associated with the other indications of surface tolerance (surface form tolerance and centring tolerance). An example of such an indication is given in ISO 10110-1:2006, Annex A.

The indication 15/ shall be entered near the optical axis of the optical assembly at the side from which the testing shall be performed. See the example in [Figure 2](#).

3) Edmund Optics, N53-197 is an example of a suitable product available commercially. This information is given for the convenience of users of this document and does not constitute an endorsement by ISO of this product.

If two or more optical elements are to be cemented (or optically contacted), the surface imperfection tolerances given for the individual elements apply also for the surfaces of the optical subassembly, i.e. after cementing (or optically contacting), unless otherwise specified.



**Figure 2 — Location of indication for surface imperfections in optical assemblies**

## Bibliography

- [1] ISO 3, *Preferred numbers — Series of preferred numbers*
- [2] ISO 9211-1, *Optics and photonics — Optical coatings — Part 1: Definitions*
- [3] ISO 9802, *Raw optical glass — Vocabulary*
- [4] ISO/TR 21477, *Optics and photonics — Preparation of drawings for optical elements and systems — Surface imperfection specification and measurement systems*
- [5] McCLEOD J.H., & SHERWOOD W.T. A proposed method of specifying appearance defects on optical parts. *J. Opt. Soc. Am.* 1945, **35** pp. 136–138
- [6] YOUNG M. Scratch and dig standard revisited. *Appl. Opt.* 1986, **25** (12) pp. 1922–1929
- [7] AIKENS D.M. “The truth about scratch and dig”, *Optical Fabrication and Testing, OTuA2*. OSA, 2010



[\(Continued from second cover\)](#)

The Committee has reviewed the provisions of the following International Standard referred in this adopted standard and has decided that it is acceptable for use in conjunction with this standard.

<i>International Standard</i>	<i>Title</i>
ISO 14997	Optics and photonics — Test methods for surface imperfections of optical elements

For the purpose of deciding whether a particular requirement of this standard is complied with, the final value, observed or calculated expressing the result of a test or analysis, shall be rounded off in accordance with IS 2 : 2022 'Rules for rounding off numerical values (*second revision*)'. The number of significant places retained in the rounded off value should be the same as that of the specified value in this standard.

## Bureau of Indian Standards

BIS is a statutory institution established under the *Bureau of Indian Standards Act, 2016* to promote harmonious development of the activities of standardization, marking and quality certification of goods and attending to connected matters in the country.

### Copyright

BIS has the copyright of all its publications. No part of these publications may be reproduced in any form without the prior permission in writing of BIS. This does not preclude the free use, in the course of implementing the standard, of necessary details, such as symbols and sizes, type or grade designations. Enquiries relating to copyright be addressed to the Head (Publication & Sales), BIS.

### Review of Indian Standards

Amendments are issued to standards as the need arises on the basis of comments. Standards are also reviewed periodically; a standard along with amendments is reaffirmed when such review indicates that no changes are needed; if the review indicates that changes are needed, it is taken up for revision. Users of Indian Standards should ascertain that they are in possession of the latest amendments or edition by referring to the website-[www.bis.gov.in](http://www.bis.gov.in) or [www.standardsbis.in](http://www.standardsbis.in).

This Indian Standard has been developed from Doc No.: PGD 39 (23504).

### Amendments Issued Since Publication

Amend No.	Date of Issue	Text Affected

## BUREAU OF INDIAN STANDARDS

### Headquarters:

Manak Bhavan, 9 Bahadur Shah Zafar Marg, New Delhi 110002

Telephones: 2323 0131, 2323 3375, 2323 9402

Website: [www.bis.gov.in](http://www.bis.gov.in)

### Regional Offices:

Central : 601/A, Konnectus Tower -1, 6<sup>th</sup> Floor,  
DMRC Building, Bhavbhuti Marg, New  
Delhi 110002

Telephones

{ 2323 7617

Eastern : 8<sup>th</sup> Floor, Plot No 7/7 & 7/8, CP Block, Sector V,  
Salt Lake, Kolkata, West Bengal 700091

{ 2367 0012  
2320 9474

Northern : Plot No. 4-A, Sector 27-B, Madhya Marg,  
Chandigarh 160019

{ 265 9930

Southern : C.I.T. Campus, IV Cross Road, Taramani, Chennai 600113

{ 2254 1442  
2254 1216

Western : 5<sup>th</sup> Floor/MTNL CETTM, Technology Street, Hiranandani Gardens, Powai  
Mumbai 400076

{ 25700030  
25702715

**Branches :** AHMEDABAD, BENGALURU, BHOPAL, BHUBANESHWAR, CHANDIGARH, CHENNAI, COIMBATORE, DEHRADUN, DELHI, FARIDABAD, GHAZIABAD, GUWAHATI, HARYANA (CHANDIGARH), HUBLI, HYDERABAD, JAIPUR, JAMMU, JAMSHEDPUR, KOCHI, KOLKATA, LUCKNOW, MADURAI, MUMBAI, NAGPUR, NOIDA, PARWANOO, PATNA, PUNE, RAIPUR, RAJKOT, SURAT, VIJAYAWADA.