

AMENDMENT NO. 1 DECEMBER 2024

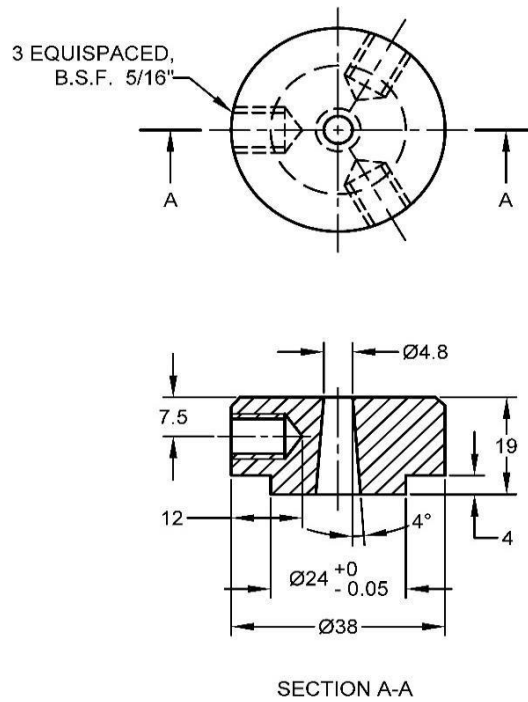
TO

IS 5912 : 1997 SPECIFICATION FOR ANEMOMETER, CUP COUNTER

(First Revision)

(Page 1, clause 6.1.2) — Substitute the following for the existing:

'6.1.2 The three cups shall be fixed firmly to the central spider in a perfect vertical plane in such a way that they are well balanced with each other without showing any bias to any particular position (see Fig. 2). The mounting of the cups shall be firm enough to withstand even a wind speed of 200 km/h or more.



All dimensions in millimetres.

FIG. 2 SPIDER'.