

रोंग्यूर, क्रेनियल, डाहलग्रेन पैटर्न —
विशिष्टि
(पहला पुनरीक्षण)

Rongeur, Cranial, Dahlgren's
Pattern — Specification
(First Revision)

ICS 11.040.30

© BIS 2024



भारतीय मानक ब्यूरो
BUREAU OF INDIAN STANDARDS
मानक भवन, 9 बहादुर शाह ज़फर मार्ग, नई दिल्ली - 110002
MANAK BHAVAN, 9 BAHADUR SHAH ZAFAR MARG
NEW DELHI - 110002
www.bis.gov.in www.standardsbis.in

FOREWORD

This Indian Standard (First Revision) was adopted by the Bureau of Indian Standards after the draft finalized by the Neurosurgery Instruments, Implants and Accessories Sectional Committee had been approved by the Medical Equipment and Hospital Planning Division Council.

This standard was first published in 1977. This revision includes minor changes in references to incorporate the updated designation of steel and the currently used methods of test for hardness and corrosion resistance.

The composition of the Committee responsible for formulation of this standard is given in [Annex A](#).

For the purpose of deciding whether a particular requirement of this standard is complied with the final value, observed or calculated, expressing the result of a test or analysis shall be rounded off in accordance with IS 2 : 2022 'Rules for rounding off numerical values (*second revision*)'. The number of significant places retained in the rounded off value should be same as that of the specified value in this standard.

*Indian Standard***RONGEUR, CRANIAL, DAHLGREN'S PATTERN —
SPECIFICATION***(First Revision)***1 SCOPE**

This standard covers dimensional and other requirement for Dahlgren's pattern cranial rongeur used in neurosurgery.

2 REFERENCES

The standards given below contain provisions which, through reference in this text, constitute provisions of this standard. At the time of publication, the editions indicated were valid. All standards are subject to revision, and parties to agreements based on this standard are encouraged to investigate the possibility of applying the most recent edition of these standards:

<i>IS No.</i>	<i>Title</i>
IS 6603 : 2024	Stainless steel semi-finished products, bars, wire rods and bright bars — Specification (<i>second revision</i>)
IS 7531 : 1990	Surgical instruments — Corrosion resistance of stainless steel surgical instruments — Methods of tests (<i>first revision</i>)

3 MATERIAL

Various components of the rongeur shall be made from stainless steel details of which are given below:

<i>Sl No.</i>	<i>Components</i>	<i>Material</i>	<i>Conforming to</i>
(1)	(2)	(3)	(4)
i)	Arms and springs	Stainless steel	Designation X30Cr13 of IS 6603 : 2001
ii)	Blade	Stainless steel	Designation X40Cr13 of IS 6603 : 2001
iii)	Screws	Stainless steel	Designation X20Cr13 of IS 6603 : 2001

4 SHAPE AND DIMENSIONS

It shall be as shown in [Fig. 1](#).

A deviation of ± 2.5 percent shall be allowed on all dimensions except where specified.

5 MANUFACTURE, WORKMANSHIP AND FINISH

5.1 The rongeur shall be free from pits, burrs, scales, sharp edges, cracks and other surface defects on its external as well as internal surfaces.

5.2 The rongeur shall be provided with three blades ([Fig. 2](#)) having thickness of working edges as 3 mm, 2.7 mm and 2.4 mm respectively. The blade shall slide between the guides without any stiffness or undue play during use. The working edge of the blade shall be smooth and free from nicks and other defects.

5.3 The front face of the blade guide (*see* [Fig. 1](#)) shall be knurled to prevent slipping during operation.

5.4 The joints shall have no undue play, and shall work smoothly.

5.5 The screws shall be well formed and shall have regular threads.

5.6 The spring action shall be smooth. It shall be neither too hard nor too slack.

5.7 The rongeur shall be polished bright and passivated. The gripping portion of arms shall be matt finished.

6 HEAT TREATMENT

Various components of rongeur shall be suitably hardened and tempered to give hardness as indicated below:

- a) 510 HV to 595 HV for blades;

To access Indian Standards click on the link below:

https://www.services.bis.gov.in/php/BIS_2.0/bisconnect/knowyourstandards/Indian_standards/isdetails/

- b) 410 HV to 470 HV for arms and springs; and
- c) 290 HV to 320 HV for screws.

7 TESTS

7.1 Performance Test

Each rongeur shall be made to nibble the skull bone or teakwood of 3/4 cm thickness five times with each blade. On completion of the test, the blades as well as the rongeur shall show no sign of damage.

7.2 Rigidify Test

A compressive force of 110 N shall be applied to the rongeur arms at a distance of 75 mm from free ends in such a manner that it tends to press the arms together. The maximum force shall be attained gradually and shall act for two minutes. On completion of the test, the rongeur shall show no sign of damage.

7.3 Corrosion Resistance Test

The rongeur shall conform to the requirements of IS 7531

8 MARKING

Each Dahlgren's pattern cranial rongeur shall be marked with the following:

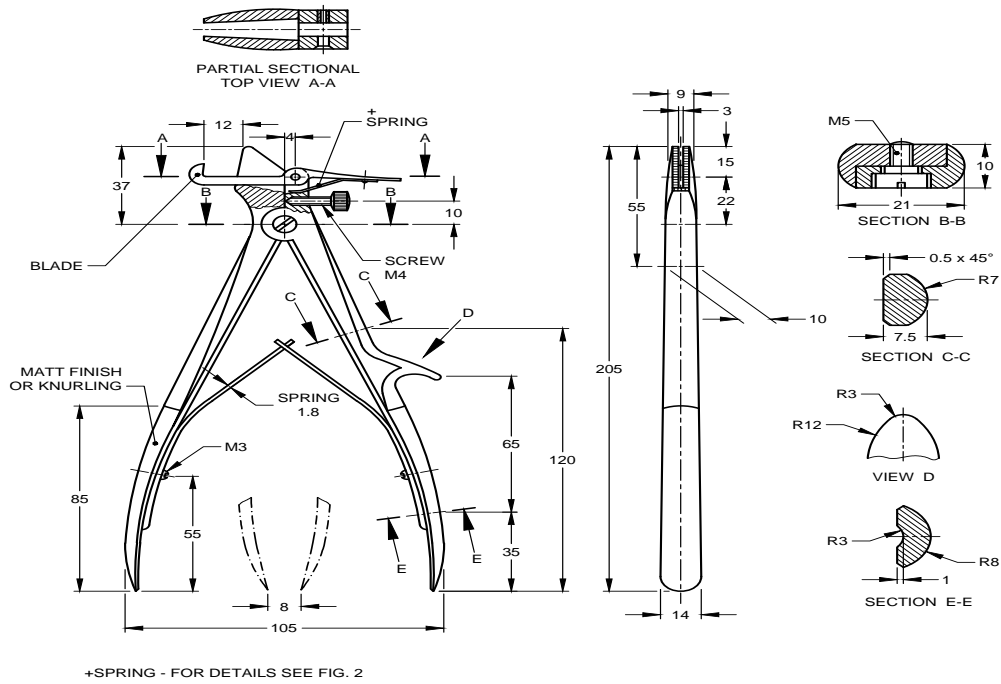
- a) Manufacturer's name, initials or registered trade-mark in the space provided on country of manufacture;
- b) Serial number;
- c) Batch number; and
- d) Lot number.

9 BIS CERTIFICATION MARKING

The product(s) conforming to the requirements of this standard may be certified as per the conformity assessment schemes under the provisions of the *Bureau of Indian Standards Act, 2016* and the Rules and Regulations framed thereunder, and the product(s) may be marked with the Standard Mark.

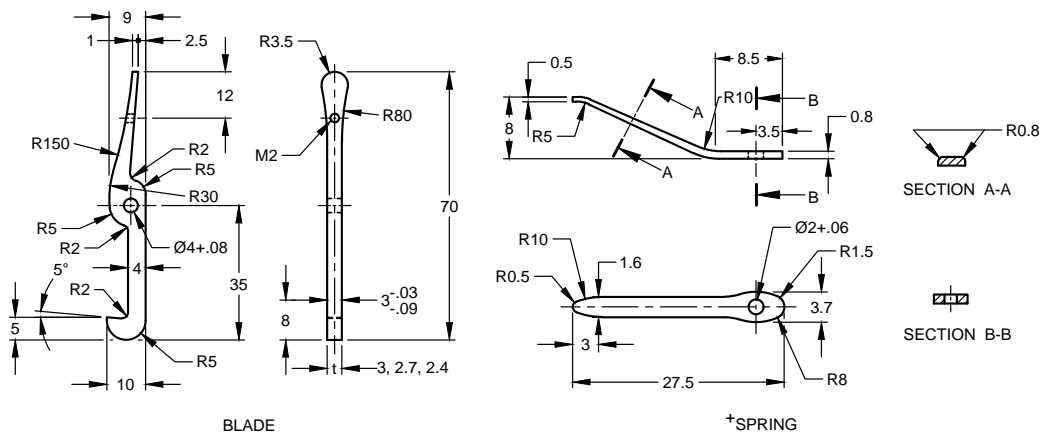
10 PACKING

Each instrument shall be packed as agreed to between the purchaser and the manufacturer or in accordance with the current trade practices.



All dimensions in millimetres.

FIG.1 RONGEUR, CRANIAL, DAHLGREN'S PATTERN



All dimensions in millimetres.

FIG. 2 DETAILS OF BLADE AND +SPRING

ANNEX A

(Foreword)

COMMITTEE COMPOSITION

Neurosurgery Instruments Implants and Accessories Sectional Committee, MHD 07

<i>Organization</i>	<i>Representative(s)</i>
G B Pant Hospital, New Delhi	DR DALJIT SINGH (<i>Chairperson</i>)
Abbott Healthcare India Private Limited, Mumbai	MS LIPI CHAKHAIYAR MS SHWETA SHARMA (<i>Alternate</i>)
Association of Indian Medical Device Industry, New Delhi	SHRI NAVEEN KHANNA SHRI PUHAZHENDI KALIYAPPAN (<i>Alternate I</i>) SHRI ANKUR BHARGAVA (<i>Alternate II</i>)
Boston Scientific India Private Limited, Gurugram	SHRI DEV CHOPRA SHRI PRASHANTH PRABHAKAR (<i>Alternate</i>)
Central Drugs Standard Control Organization, New Delhi	SHRI ASEEM SAHU MS SHYAMNI SASIDHARAN (<i>Alternate</i>)
Defence Bio-Engineering and Electromedical Laboratory, Ministry of Defence, Bengaluru	SHRI JAYANT DANIEL SHRI G. SRIPATHY (<i>Alternate</i>)
Directorate General of Health Services, New Delhi	DR. AJAY CHOUDHARY DR K. B. SHANKER (<i>Alternate</i>)
Happy Reliable Surgeries Private Limited, Bengaluru	SHRI. HEMANT SAVALE SHRI SANJEEV GAUTAM (<i>Alternate</i>)
Indian Institute of Technology Hyderabad, Hyderabad	SHRI AVINASH ERANKI SHRI KOUSIK SARATHY S. (<i>Alternate</i>)
Kalam Institute of Health Technology, Vishakhapatnam	SHRI SANTOSH KUMAR BALIVADA MS DIVYA ANIL PATIL (<i>Alternate I</i>) MS PURVA SUHAS PHALKE (<i>Alternate II</i>)
Skull Base Surgery Society of India, Chennai	DR HARSH DEORA
In Personal Capacity (<i>Office Floor, The Suryaa Hotel, New Friends Colony. New Delhi - 110025</i>)	SHRI ASOK KUMAR RAGHAVAN NAIR
BIS Directorate General	SHRI A. R. UNNIKRISHNAN, SCIENTIST 'G' AND HEAD (MEDICAL EQUIPMENT AND HOSPITAL PLANNING) [REPRESENTING DIRECTOR GENERAL (<i>Ex-officio</i>)]

Member Secretary

MS HARSHADA GANESH KADAM
SCIENTIST 'B'/ASSISTANT DIRECTOR
(MEDICAL EQUIPMENT AND HOSPITAL PLANNING), BIS

Bureau of Indian Standards

BIS is a statutory institution established under the *Bureau of Indian Standards Act, 2016* to promote harmonious development of the activities of standardization, marking and quality certification of goods and attending to connected matters in the country.

Copyright

BIS has the copyright of all its publications. No part of these publications may be reproduced in any form without the prior permission in writing of BIS. This does not preclude the free use, in the course of implementing the standard, of necessary details, such as symbols and sizes, type or grade designations. Enquiries relating to copyright be addressed to the Head (Publication & Sales), BIS.

Review of Indian Standards

Amendments are issued to standards as the need arises on the basis of comments. Standards are also reviewed periodically; a standard along with amendments is reaffirmed when such review indicates that no changes are needed; if the review indicates that changes are needed, it is taken up for revision. Users of Indian Standards should ascertain that they are in possession of the latest amendments or edition by referring to the website-www.bis.gov.in or www.standardsbis.in.

This Indian Standard has been developed from Doc No.: MHD 07 (25864).

Amendments Issued Since Publication

Amend No.	Date of Issue	Text Affected

BUREAU OF INDIAN STANDARDS

Headquarters:

Manak Bhavan, 9 Bahadur Shah Zafar Marg, New Delhi 110002

Telephones: 2323 0131, 2323 3375, 2323 9402

Website: www.bis.gov.in

Regional Offices:

Central : 601/A, Konnectus Tower -1, 6th Floor,
DMRC Building, Bhavbhuti Marg, New
Delhi 110002

Telephones

{ 2323 7617

Eastern : 8th Floor, Plot No 7/7 & 7/8, CP Block, Sector V,
Salt Lake, Kolkata, West Bengal 700091

{ 2367 0012
2320 9474

Northern : Plot No. 4-A, Sector 27-B, Madhya Marg,
Chandigarh 160019

{ 265 9930

Southern : C.I.T. Campus, IV Cross Road, Taramani, Chennai 600113

{ 2254 1442
2254 1216

Western : 5th Floor/MTNL CETTM, Technology Street, Hiranandani Gardens, Powai
Mumbai 400076

{ 25700030
25702715

Branches : AHMEDABAD, BENGALURU, BHOPAL, BHUBANESHWAR, CHANDIGARH, CHENNAI, COIMBATORE, DEHRADUN, DELHI, FARIDABAD, GHAZIABAD, GUWAHATI, HARYANA (CHANDIGARH), HUBLI, HYDERABAD, JAIPUR, JAMMU, JAMSHEDPUR, KOCHI, KOLKATA, LUCKNOW, MADURAI, MUMBAI, NAGPUR, NOIDA, PARWANOO, PATNA, PUNE, RAIPUR, RAJKOT, SURAT, VIJAYAWADA.