

## विद्युत घूर्णन मशीनें

भाग 5 घूर्णी विद्युत मशीनों (आई पी कोड) के  
अभिन्न डिजाइन द्वारा प्रदत्त सुरक्षा की कोटि —  
वर्गीकरण

( तीसरा पुनरीक्षण )

**Rotating Electrical Machines**  
**Part 5 Degrees of Protection Provided by**  
**the Integral Design of Rotating Electrical**  
**Machines (IP Code) — Classification**  
( *Third Revision* )

ICS 29.160.01

© BIS 2024

© IEC 2020



भारतीय मानक ब्यूरो

BUREAU OF INDIAN STANDARDS

मानक भवन, 9 बहादुर शाह ज़फर मार्ग, नई दिल्ली - 110002

MANAK BHAVAN, 9 BAHADUR SHAH ZAFAR MARG

NEW DELHI - 110002

[www.bis.gov.in](http://www.bis.gov.in) [www.standardsbis.in](http://www.standardsbis.in)

## NATIONAL FOREWORD

This Indian Standard (Part 5) (Third Revision) which is identical to IEC 60034-5 : 2020 'Rotating electrical machines — Part 5: Degrees of protection provided by the integral design of rotating electrical machines (IP code) — Classification' Issued by the International Electrotechnical Commission (IEC) was adopted by the Bureau of Indian Standards on the recommendation of the Rotating Machinery Sectional Committee and approval of the Electrotechnical Division Council.



This standard was first published in 1985 and subsequently revised in 2000 and 2008. This revision has been brought out to align the standard with the latest version of IEC 60034-5 : 2020.

On the recommendation of the Rotating Machinery Sectional Committee single numbering has been adopted for IEC 60034 series to avoid confusion in use and implementation as experienced by industry, lab and other stakeholders.

This standard is published in various parts. Other parts in this series are:

- Part 8 Terminal markings and direction of rotation
- Part 27 Winding insulation of rotating electrical machines

The text of the IEC standard has been approved as suitable for publication as an Indian Standard without deviations. Certain conventions are, however, not identical to those used in Indian Standards. Attention is particularly drawn to the following:

- a) Wherever the words 'International Standard' appears referring to this standard, they should be read as 'Indian Standard'; and
- b) Comma (,) has been used as a decimal marker, while in Indian Standards the current practice is to use a point (.) as the decimal marker.

In this adopted standard, reference appears to International Standards for which Indian Standards also exists. The corresponding Indian Standards, which are to be substituted, are listed below along with their degree of equivalence for the editions indicated:

<i>International Standard</i>	<i>Corresponding Indian Standard</i>	<i>Degree of Equivalence</i>
IEC 60034-6 Rotating electrical machines — Part 6: Methods of cooling (IC code)	IS 6362 : 1995/IEC Pub 60034-6 : 1991 Designation of methods of cooling of rotating electrical machines ( <i>first revision</i> )	Identical

Only English language text has been retained while adopting it in this Indian Standard, and as such the page numbers given here are not the same as in the International Standard.

For the purpose of deciding whether a particular requirement of this standard is complied with, the final value, observed or calculated expressing the result of a test, shall be rounded off in accordance with IS 2 : 2022 'Rules for rounding off numerical values (*second revision*)'. The number of significant places retained in the rounded off value should be the same as that of the specified value in this standard.

## CONTENTS

1	Scope .....	1
2	Normative references .....	1
3	Terms and definitions .....	1
4	Designation .....	2
4.1	General.....	2
4.2	Single characteristic numeral .....	2
4.3	Supplementary letters .....	2
4.4	Example of designation.....	2
5	Degrees of protection – First characteristic numeral .....	2
5.1	Indication of degree of protection .....	2
5.2	Compliance to indicated degree of protection.....	3
5.3	External fans.....	3
5.4	Drain holes .....	3
6	Degrees of protection – Second characteristic numeral .....	4
6.1	Indication of the degree of protection .....	4
6.2	Compliance with lower degrees of protection .....	5
7	Marking .....	5
8	General requirements for tests .....	6
8.1	General.....	6
8.2	Adequate clearance .....	6
8.2.1	General .....	6
8.2.2	Low-voltage machines (rated voltages not exceeding 1 000 V a.c. and 1 500 V d.c.).....	6
8.2.3	High-voltage machines (rated voltages exceeding 1 000 V a.c. and 1 500 V d.c.).....	6
9	Tests for first characteristic numeral.....	6
10	Tests for second characteristic numeral.....	10
10.1	Test conditions .....	15
10.2	Acceptance conditions .....	18
10.2.1	General .....	18
10.2.2	Ingress of water.....	19
10.2.3	Withstand voltage test .....	19
11	Requirements and tests for open weather-protected machines .....	19
	Figure 1 – Standard test finger.....	9
	Figure 2 – Equipment to prove protection against dust.....	10
	Figure 3 – Equipment to prove protection against dripping water .....	13
	Figure 4 – Equipment to prove protection against spraying and splashing water (shown with spraying holes in the case of second characteristic numeral 3).....	14
	Figure 5 – Hand-held equipment to prove protection against spraying and splashing water .....	15
	Figure 6 – Standard nozzle for hose test.....	15
	Figure 7 – Geometry of fan jet nozzle .....	16
	Figure 8 – Measurement of the impact force .....	17

Figure 9 – Test set-up for determining the protection against high-pressure/steam-jet cleaning – degree of protection against ingress of water IP X9 for small enclosures ..... 18

Table 1 – Test requirements for guards.....3

Table 2 – Degrees of protection indicated by the first characteristic numeral .....4

Table 3 – Degrees of protection indicated by the second characteristic numeral ..... 5

Table 4 – Test and acceptance conditions for first characteristic numeral ..... 7

Table 5 – Test conditions for second characteristic numeral ..... 11

*Indian Standards***ROTATING ELECTRICAL MACHINES  
PART 5 DEGREES OF PROTECTION PROVIDED BY THE  
INTEGRAL DESIGN OF ROTATING ELECTRICAL  
MACHINES (IP CODE) — CLASSIFICATION***( Third Revision )***1 Scope**

This part of IEC 60034 applies to the classification of degrees of protection provided by enclosures for rotating electrical machines. It defines the requirements for protective enclosures that are in all other respects suitable for their intended use and which, from the point of view of materials and workmanship, ensure that the properties dealt with in this document are maintained under normal conditions of use.

This document does not specify degrees of protection against mechanical damage of the machine, or conditions such as moisture (produced for example by condensation), corrosive dust and vapour, fungus or vermin.

This document is also applicable to explosion proof machines, but it does not specify the types of protection for use in a potentially explosive (dust, gas) environment. Those are defined in the IEC 60079 series of standards.

In certain applications (such as agricultural or domestic appliances), more extensive precautions against accidental or deliberate contact may be specified.

This document gives definitions for standard degrees of protection provided by enclosures applicable to rotating electrical machines as regards the:

- a) protection of persons against contacts with or approach to live parts and against contact with moving parts (other than smooth rotating shafts and the like) inside the enclosure and protection of the machine against ingress of solid foreign objects;
- b) protection of machines against the harmful effects due to ingress of water;
- c) protection of machines against the harmful effects due to ingress of dust.

It gives designations for these protective degrees and tests to be performed to check that the machines meet the requirements of this document.

**2 Normative references**

The following documents are referred to in the text in such a way that some or all of their content constitutes requirements of this document. For dated references, only the edition cited applies. For undated references, the latest edition of the referenced document (including any amendments) applies.

IEC 60034-6, *Rotating electrical machines – Part 6: Methods of cooling (IC code)*

**3 Terms and definitions**

For the purposes of this document, the following terms and definitions apply.

ISO and IEC maintain terminological databases for use in standardization at the following addresses:

- IEC Electropedia: available at <http://www.electropedia.org/>
- ISO Online browsing platform: available at <http://www.iso.org/obp>

### 3.1

#### **closed machine**

machine where no medium from the surrounding medium, for the purpose of cooling, passes through the machine

[SOURCE: IEC 60050-411:1996, 411-44-17]

### 3.2

#### **open machine**

machine with an open cooling circuit in which the coolant is drawn directly from the surrounding medium passing through the machine and then returning directly to the surrounding medium

[SOURCE: IEC 60050-411:1996, 411-44-16]

## 4 Designation

### 4.1 General

The designation used for the degree of protection consists of the letters IP followed by two characteristic numerals signifying conformity with the conditions indicated in the tables of Clauses 5 and 6 respectively.

### 4.2 Single characteristic numeral

When it is required to indicate a degree of protection by only one characteristic numeral, the omitted numeral shall be replaced by the letter X, for example IPX5 or IP2X.

### 4.3 Supplementary letters

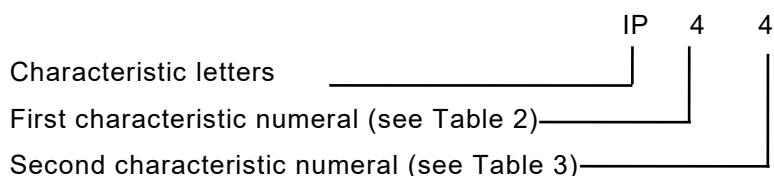
**4.3.1** Additional information may be indicated by a supplementary letter following the second characteristic numeral. If more than one letter is used, the alphabetic sequence shall apply.

**4.3.2** In special applications (such as machines with open circuit cooling for ship deck installation with air inlet and outlet openings closed during standstill), numerals may be followed by a letter indicating whether the protection against harmful effects due to ingress of water was verified or tested for the machine not running (letter S) or the machine running (letter M). In this case, the degree of protection in either state of the machine shall be indicated, for example IP55S/IP20M.

The absence of the letters S and M shall imply that the intended degree of protection will be provided under all normal conditions of use.

**4.3.3** For air-cooled open machines suitable for specific weather conditions and provided with additional protective features or processes (as specified in Clause 11), the letter W may be used.

### 4.4 Example of designation



## 5 Degrees of protection – First characteristic numeral

### 5.1 Indication of degree of protection

The first characteristic numeral indicates the degree of protection provided by the enclosure to persons and to the parts of the machine inside the enclosure.

Table 2 gives, in the third column, brief details of objects which will be ‘excluded’ from the enclosure for each of the degrees of protection represented by the first characteristic numeral.

The term ‘excluded’ implies that a part of the body, a tool or a wire held by a person, either will not enter the machine or, if it enters, that adequate clearance will be maintained between it and

the live parts or dangerous moving parts (smooth rotating shafts and the like are not considered dangerous).

The third column of Table 2 also indicates the minimum size of solid foreign objects which will be excluded.

## 5.2 Compliance to indicated degree of protection

Compliance of an enclosure with an indicated degree of protection implies that the enclosure will also comply with all lower degrees of protection in Table 2. In consequence, the tests establishing these lower degrees of protection are not required, except in case of doubt.

## 5.3 External fans

The blades and spokes of fans external to the enclosure shall be protected against contact by means of guards complying with Table 1.

**Table 1 – Test requirements for guards**

Protection of machine	Test
IP1X	50 mm sphere test
IP2X to IP6X	Finger test

For the test, the rotor shall be slowly rotated, for example by hand when possible.

Smooth rotating shafts and similar parts are not considered dangerous.

## 5.4 Drain holes

If the machine is provided with drain holes, the following shall apply:

- drain holes intended normally to be open on site shall be kept open during testing;
- drain holes are considered as open as long as no breather(s) or plug(s), etc., are mounted in a drain;
- if machines with protection IP3X or IP4X are intended to be run with open drain holes, the drain holes may comply with protection IP2X;
- if machines with protection IP5X are intended to be run with open drain holes, the drain holes shall comply with protection IP4X.

**Table 2 – Degrees of protection indicated by the first characteristic numeral**

First characteristic numeral	Degree of protection		Test conditions
	Brief description (NOTE 1)	Definition	
0	Non-protected machine	No special protection	No test
1 (NOTE 2)	Machine protected against solid objects greater than 50 mm	Accidental or inadvertent contact with or approach to live and moving parts inside the enclosure by a large surface of the human body, such as a hand (but no protection against deliberate access) Ingress of solid objects exceeding 50 mm in diameter	Table 4
2 (NOTE 2)	Machine protected against solid objects greater than 12 mm	Contact with or approach to live or moving parts inside the enclosure by fingers or similar objects not exceeding 80 mm in length Ingress of solid objects exceeding 12 mm in diameter	
3 (NOTE 2)	Machine protected against solid objects greater than 2,5 mm	Contact with or approach to live or moving parts inside the enclosure by tools or wires exceeding 2,5 mm in diameter Ingress of solid objects exceeding 2,5 mm in diameter	
4 (NOTE 2)	Machine protected against solid objects greater than 1 mm	Contact with or approach to live or moving parts inside the enclosure by wires or strips of thickness greater than 1 mm Ingress of solid objects exceeding 1 mm in diameter	
5 (NOTE 3)	Dust-protected machine	Contact with or approach to live or moving parts inside the enclosure Ingress of dust is not totally prevented but does not enter in sufficient quantity to interfere with satisfactory operation of the machine	
6	Dust-tight machines	Ingress of dust totally prevented	
<p>NOTE 1 The brief description given in the second column of this table cannot be used to specify the type of protection.</p> <p>NOTE 2 Machines assigned a first characteristic numeral 1, 2, 3 or 4 will exclude both regularly or irregularly shaped solid objects, provided that three normally perpendicular dimensions of the object exceed the appropriate figure in the 'Definition' column.</p> <p>NOTE 3 The degree of protection against dust defined by this document is a general one. When the nature of the dust (dimensions of particles, their nature, for instance fibrous particles) is specified, test conditions can be determined by agreement between manufacturer and user.</p>			

## 6 Degrees of protection – Second characteristic numeral

### 6.1 Indication of the degree of protection

The second characteristic numeral indicates the degree of protection provided by the enclosure with respect to harmful effects due to ingress of water.

Table 3 gives, in the third column, details of the type of protection provided by the enclosure for each of the degrees of protection represented by the second characteristic numeral.

An air-cooled open machine is weather-protected when its design reduces the ingress of rain, snow and airborne particles, under specified conditions, to an amount consistent with correct operation.

This degree of protection is designated by the letter W placed after the second characteristic numeral.



## 6.2 Compliance with lower degrees of protection

For second characteristic numerals up to and including 6, compliance of an enclosure with an indicated degree of protection implies that the enclosure will also comply with all lower degrees of protection in Table 3.

In consequence, the tests establishing these lower degrees of protection are not required, except in case of doubt.

For IPX7, IPX8 and IPX9, it shall not be assumed that compliance of the enclosure implies that the enclosure will also comply with all lower degrees of protection in Table 3.

**Table 3 – Degrees of protection indicated by the second characteristic numeral**

Second characteristic numeral	Degree of protection		Test conditions
	Brief description (NOTE 1)	Definition	
0	Non-protected machine	No special protection	No test
1	Machine protected against dripping water	Dripping water (vertically falling drops) shall have no harmful effect	Table 5
2	Machine protected against dripping water when tilted up to 15°	Vertically dripping water shall have no harmful effect when the machine is tilted at any angle up to 15° from its normal position	
3	Machine protected against spraying water	Water falling as a spray at an angle up to 60° from the vertical shall have no harmful effect	
4	Machine protected against splashing water	Water splashing against the machine from any direction shall have no harmful effect	
5	Machine protected against water jets	Water projected by a nozzle against the machine from any direction shall have no harmful effect (NOTE 3)	
6	Machine protected against heavy seas	Water from heavy seas or water projected in powerful jets shall not enter the machine in harmful quantities	
7	Machine protected against the effects of immersion	Ingress of water in the machine in a harmful quantity shall not be possible when the machine is immersed in water under stated conditions of pressure and time	
8	Machine protected against the effects of continuous submersion	The machine is suitable for continuous submersion in water under conditions which shall be specified by the manufacturer (NOTE 2)	
9	Machine protected against high pressure and high temperature water jets	Water projected at high pressure and high temperature against the enclosure from any direction shall have no harmful effects (NOTE 3)	

NOTE 1 The brief description given in the second column of this table cannot be used to specify the type of protection.

NOTE 2 Normally, this means that the machine is hermetically sealed. However, with certain types of machines it can mean that water can enter but only in such a manner that it produces no harmful effect.

NOTE 3 It is understood that protections as IPX5 or IPX9 are not equivalent to a total endurance to all weather conditions that can be present for a long period of time. Weather-proof could be achieved by providing additional protection.

## 7 Marking

It is recommended that the characteristic letters and numerals be marked on the machine preferably on the rating plate or, if this is not practicable, on the enclosure.

When all parts of a machine do not have the same degree of protection, at least the designation of the lowest degree shall be shown, followed, if necessary, by the higher designation with clear reference to the part to which it applies.

Space limitations on the rating plate usually only allow the lowest IP code to be marked. Parts or components having a higher degree of protection should then be specified in the documentation and/or in the operating instructions.

The lower degree of protection of:

- guards for external fans (as allowed in 5.3);
- drain holes (as allowed in 5.4);

need not be specified on the rating plate or in the documentation.

Where the mounting of the machine has an influence on the degree of protection, the intended mounting arrangements shall be indicated by the manufacturer on the rating plate or in the instructions for mounting.

## **8 General requirements for tests**

### **8.1 General**

The tests specified in this document are type tests. They shall be carried out on standard products or models of them. Where this is not feasible, verification either by an alternative test or by examination of drawings shall be the subject of an agreement between manufacturer and user.

Unless otherwise specified, the machine for each test shall be clean with all the parts in place and mounted in the manner stated by the manufacturer.

In the case of both first and second characteristic numerals 1, 2, 3 and 4, a visual inspection may, in certain obvious cases, show that the intended degree of protection is obtained. In such cases, no test need be made. However, in case of doubt, tests shall be made as prescribed in Clauses 9 and 10.

### **8.2 Adequate clearance**

#### **8.2.1 General**

For the purpose of the following test clauses in this document, the term 'adequate clearance' has the meaning given in 8.2.2 or 8.2.3.

#### **8.2.2 Low-voltage machines (rated voltages not exceeding 1 000 V a.c. and 1 500 V d.c.)**

The test device (sphere, finger, wire, etc.) does not touch the live parts or moving parts other than non-dangerous parts such as smooth rotating shafts.

#### **8.2.3 High-voltage machines (rated voltages exceeding 1 000 V a.c. and 1 500 V d.c.)**

When the test device is placed in the most unfavourable position, the machine shall be capable of withstanding the dielectric test applicable to the machine.

This dielectric test requirement may be replaced by a specified clearance dimension in air which would ensure that this test would be satisfactory under the most unfavourable electrical field configuration.

## **9 Tests for first characteristic numeral**

Test and acceptance conditions for the first characteristic numeral are given in Table 4.

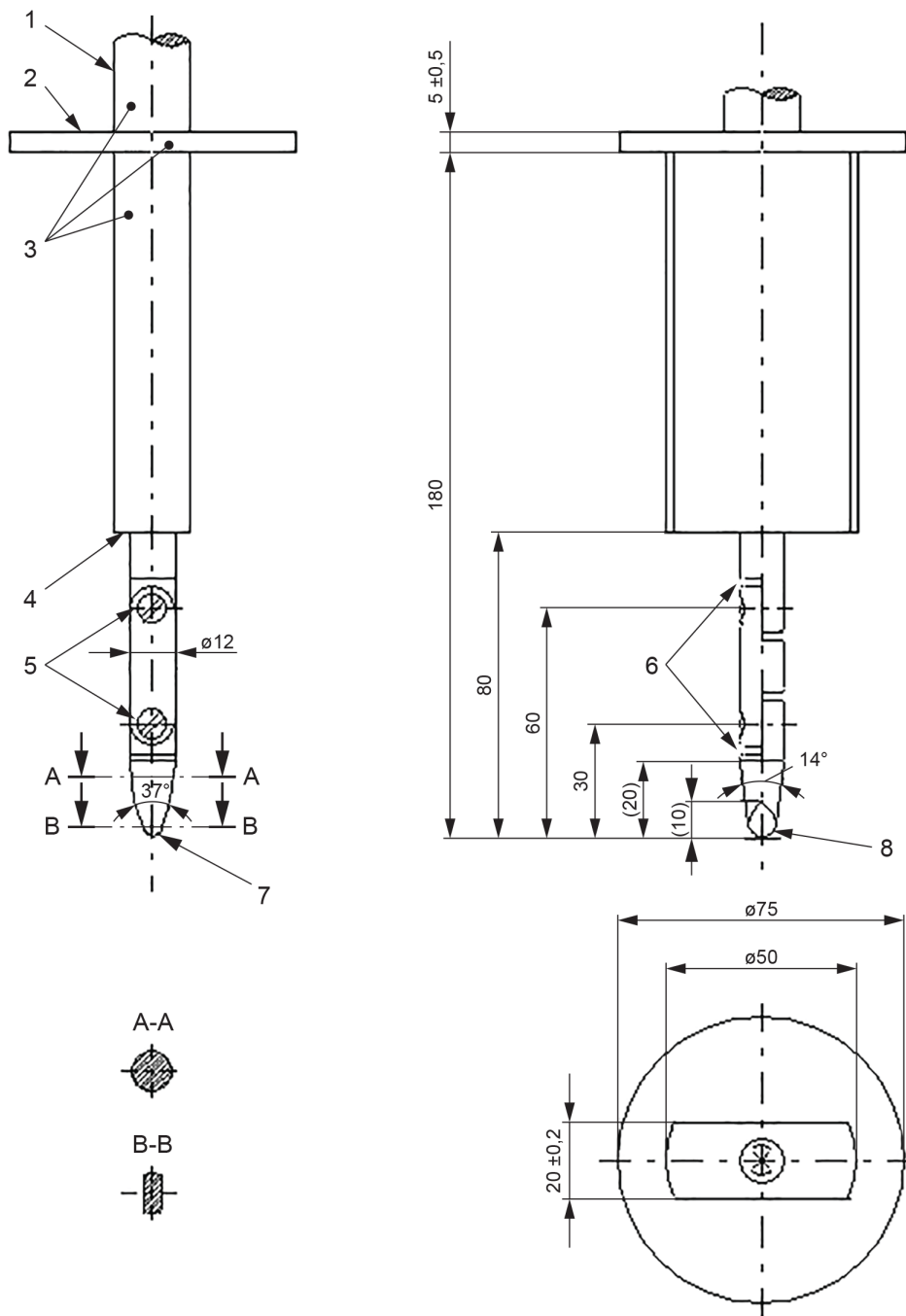
The dust test for numerals 5 and 6 shall be performed with the shaft stationary, provided that the difference in pressure between running and stationary (caused by fan effects) is lower than 2 kPa. If the pressure difference is greater than 2 kPa, the internal machine pressure during the dust test shall be depressed accordingly. Alternatively, the machine may be tested with the shaft rotating at rated speed.

Table 4 – Test and acceptance conditions for first characteristic numeral

First characteristic numeral	Test and acceptance conditions
0	No test is required.
1	<p>The test is made with a rigid sphere of <math>50^{+0,05}_0</math> mm diameter applied against the opening(s) in the enclosure with a force of 45 N to 55 N.</p> <p>The protection is satisfactory if the sphere does not pass through any opening and adequate clearance is maintained to parts which are normally live in service or moving parts inside the machine.</p>
2	<p>a) Finger test</p> <p>The test is made with a metallic test finger as shown in Figure 1. Both joints of this finger may be bent through an angle of 90° with respect to the axis of the finger, but in one and the same direction only. The finger is pushed without undue force (not more than 10 N) against any openings in the enclosure and, if it enters, it is placed in every possible position.</p> <p>The protection is satisfactory if adequate clearance is maintained between the test finger and live or moving parts inside the enclosure. However, it is permissible to touch smooth rotating shafts and similar non-dangerous parts.</p> <p>For this test, the internal moving parts may be operated slowly, where this is possible.</p> <p>For tests on a low-voltage machine, a low-voltage supply (of not less than 40 V) in series with a suitable lamp may be connected between the test finger and the live parts inside the enclosure. Conducting parts covered only with varnish or paint, or protected by oxidation or by a similar process, shall be covered with a metal foil electrically connected to those parts which are normally live in service. The protection is satisfactory if the lamp does not light.</p> <p>For high-voltage machines, adequate clearance is verified by a dielectric test, or by a measurement of clearance distance in accordance with the principles of 8.2.3.</p> <p>b) Sphere test</p> <p>The test is made with a rigid sphere of <math>12,5^{+0,05}_0</math> mm diameter applied to the openings of the enclosure with a force of 27 N to 33 N.</p> <p>The protection is satisfactory if the sphere does not pass through any opening and adequate clearance is maintained to live or moving parts inside the machine.</p>
3	<p>The test is made with a straight rigid steel wire or rod of <math>2,5^{+0,05}_0</math> mm diameter applied with a force of 2,7 N to 3,3 N. The end of the wire or rod shall be free from burrs and at right angles to its length.</p> <p>The protection is satisfactory if the wire or rod cannot enter the enclosure.</p>
4	<p>The test is made with a straight rigid steel wire of <math>1^{+0,05}_0</math> mm diameter applied with a force of 0,9 N to 1,1 N. The end of the wire shall be free from burrs and at right angles to its length.</p> <p>The protection is satisfactory if the wire cannot enter the enclosure.</p>

First characteristic numeral	Test and acceptance conditions
5	<p>a) Dust test</p> <p>The test is made using equipment incorporating the basic principles shown in Figure 2, in which talcum powder is maintained in suspension in a suitable closed test chamber. The talcum powder used shall be able to pass through a square-meshed sieve having a nominal wire diameter of 50 µm and a nominal width between wires of 75 µm. The amount of talcum powder to be used is 2 kg/m<sup>3</sup> of the test chamber volume. It shall not be used for more than 20 tests.</p> <p>Electrical machines have an enclosure where the normal operating cycle of the machine causes reductions in the air pressure within the enclosure in relation to the ambient atmospheric pressures. These reductions may be due, for example, to thermal cycling effects (category 1).</p> <p>For this test the machine is supported inside the test chamber and the pressure inside the machine is maintained below atmospheric pressure by a vacuum pump. If the enclosure has a single drain hole, the suction connection shall be made to one hole specially provided for the purpose of the test, except if the drain hole is intended normally to be closed on site (see 5.4).</p> <p>The object of the test is to draw into the machine, if possible, at least 80 times the volume of air in the enclosure without exceeding an extraction rate of 60 volumes per hour with a suitable depression. In no event shall the depression exceed 2 kPa on the manometer shown in Figure 2.</p> <p>If an extraction rate of 40 to 60 volumes per hour is obtained, the test is stopped after 2 h. If, with a maximum depression of 2 kPa, the extraction rate is less than 40 volumes per hour, the test is continued until 80 volumes have been drawn through, or a period of 8 h has elapsed.</p> <p>If it is impracticable to test the complete machine in the test chamber, one of the following procedures shall be applied:</p> <ul style="list-style-type: none"> <li>– testing of individually enclosed sections of the machine (terminal boxes, slip-ring housings, etc.);</li> <li>– testing of representative parts of the machine, comprising components such as doors, ventilating openings, joints, shaft seals, etc., with the vulnerable parts of the machine, such as terminals, slip-rings, etc., in position at the time of testing;</li> <li>– testing of a smaller machine having the same full-scale design details;</li> <li>– testing under conditions determined by agreement between manufacturer and user.</li> </ul> <p>In the second and third cases, the volume of air to be drawn through the machine under test is as specified for the whole machine in full scale.</p> <p>The protection is satisfactory if, on inspection, talcum powder has not accumulated in a quantity or location such that it could interfere with the satisfactory operation of the machine or lead to tracking along the creepage distances.</p> <p>b) Wire test</p> <p>If the machine is intended to be run with open drain hole(s), these shall be tested in the same manner as the first characteristic numeral 4, that is, using a 1 mm diameter wire.</p>
6	<p>Test in accordance with 5 a).</p> <p>The protection is satisfactory if, on inspection, there is no ingress of talcum powder.</p>

Dimensions in millimetres



IEC

**Key**

- |                       |                     |                         |
|-----------------------|---------------------|-------------------------|
| 1 Handle              | 4 Stop face         | 7 R2 ± 0,05 cylindrical |
| 2 Guard               | 5 Joints            | 8 R4 ± 0,05 spherical   |
| 3 Insulating material | 6 Chamfer all edges |                         |

Tolerances on dimensions without specific tolerance:

on angles:  $\begin{pmatrix} 0 \\ -10 \end{pmatrix}^\circ$

on dimensions:

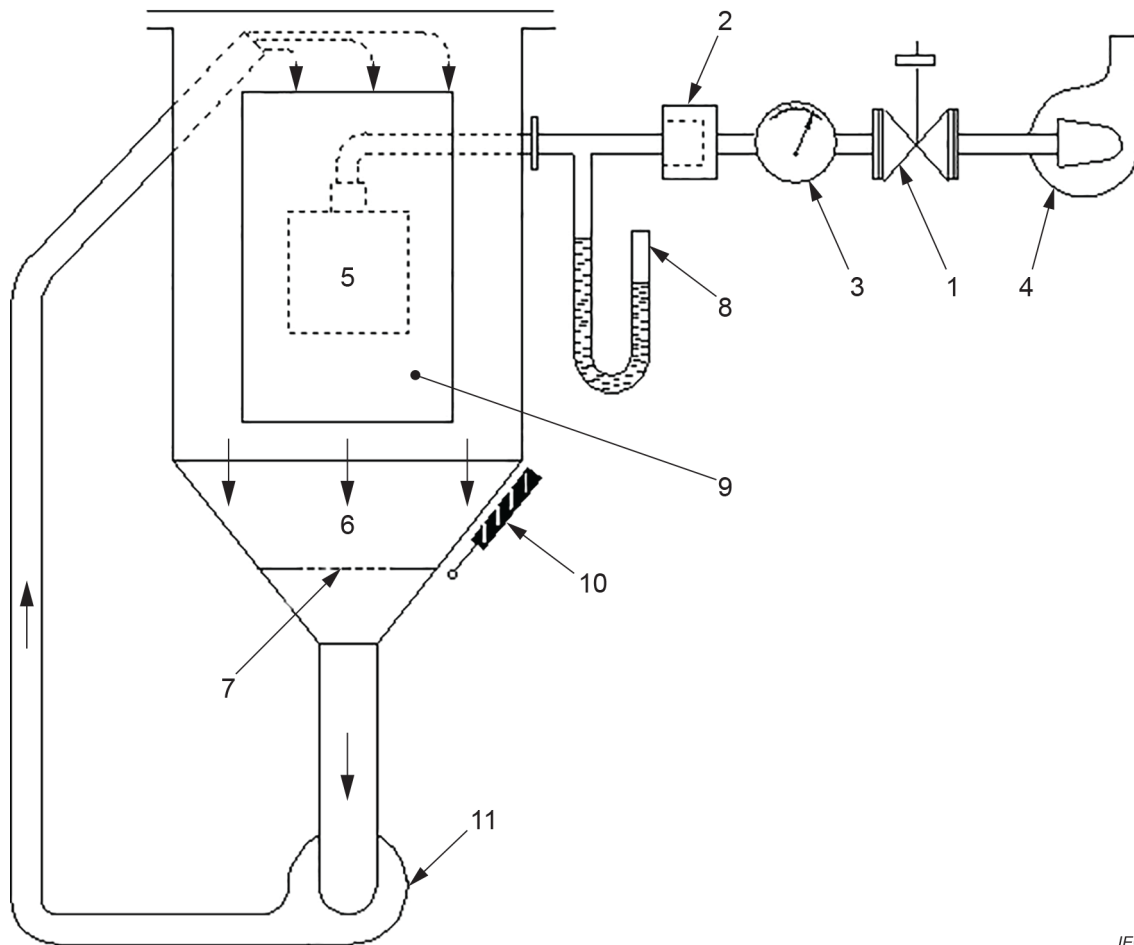
up to 25 mm:  $\begin{pmatrix} 0 \\ -0,05 \end{pmatrix}$  mm;  
over 25 mm: ± 0,2 mm

Material for finger: e.g. heat-treated steel.

Both joints of this finger may be bent through an angle of  $\begin{pmatrix} 90^{+10} \\ 0 \end{pmatrix}$  but in one and the same direction only.

Using the pin and groove solution is only one of the possible approaches in order to limit the bending angle to 90°. For this reason, dimensions and tolerances of these details are not given in the drawing. The actual design shall ensure a 90° bending angle with a 0° to +10° tolerance.

**Figure 1 – Standard test finger**



IEC

**Key**

- |                  |                      |                     |
|------------------|----------------------|---------------------|
| 1 Valve          | 5 Machine under test | 9 Glass window      |
| 2 Dust filter    | 6 Talcum powder      | 10 Vibrator         |
| 3 Air flow meter | 7 Guard screen       | 11 Circulating pump |
| 4 Vacuum pump    | 8 Pressure gauge     |                     |

**Figure 2 – Equipment to prove protection against dust**

**10 Tests for second characteristic numeral**

**10.1 Test conditions**

Test conditions for the second characteristic numeral are given in Table 5.

The test shall be conducted with fresh water. During the test, the moisture contained inside the enclosure may be partly condensed. The dew which may thus be deposited should not be mistaken for an ingress of water.

For the purpose of the tests, the surface area of the machine shall be calculated with an accuracy of 10 %.

When possible, the machine shall be run at rated speed. This can be achieved by mechanical means or by energization. If the machine is energized, adequate safety precautions shall be taken.

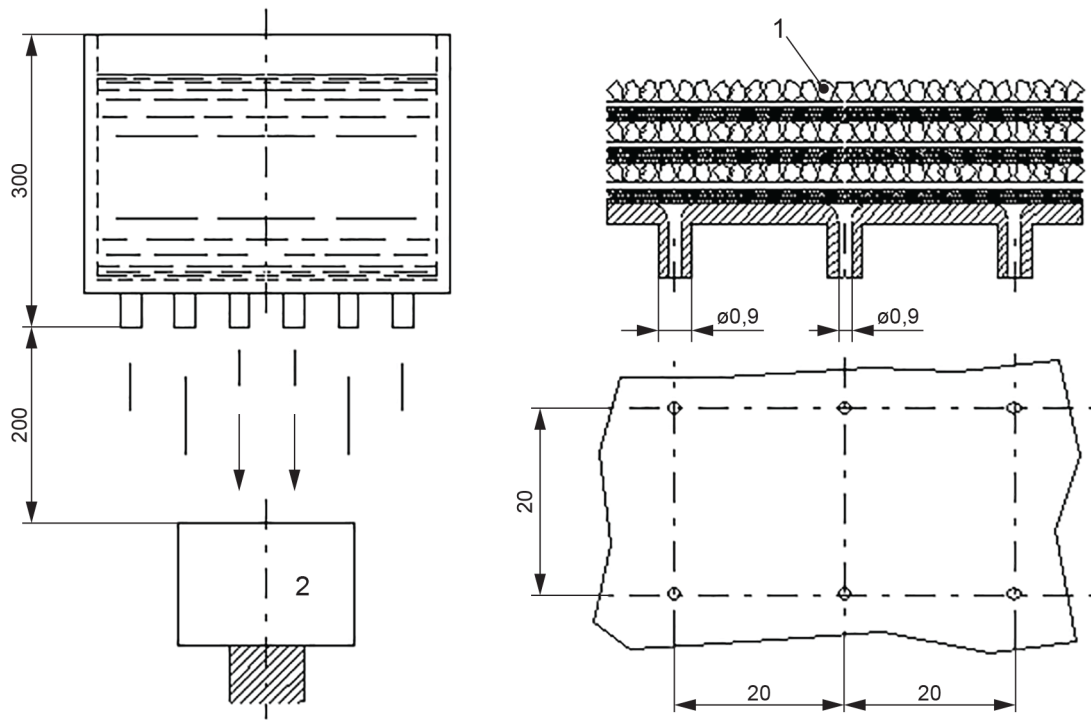
Table 5 – Test conditions for second characteristic numeral

Second characteristic numeral	Test and acceptance conditions
0	No test is required.
1	<p>The test is made by means of an equipment, the principle of which is shown in Figure 3. The rate of discharge shall be reasonably uniform over the whole area of the apparatus and shall produce a rainfall of between 3 mm and 5 mm of water per minute (in the case of equipment according to Figure 3, this corresponds to a fall in water level of 3 mm to 5 mm/min).</p> <p>The machine under test is placed in its normal operating position under the dripping equipment, the base of which shall be larger than that of the machine. Except for machines designed for wall or ceiling mounting, the support for the enclosure under test should be smaller than the base of the enclosure.</p> <p>The machine normally fixed to a wall or ceiling is fixed in its normal position of use to a wooden board having dimensions which are equal to those of that surface of the machine which is in contact with the wall or ceiling when the machine is mounted as in normal use.</p> <p>The duration of the test shall be 10 min.</p>
2	<p>The dripping equipment is the same as that specified for the second characteristic numeral 1 and is adjusted to give the same rate of discharge.</p> <p>The machine is tested for 2,5 min in each of four fixed positions of tilt. These positions are 15° either side of the vertical in two mutually perpendicular planes.</p> <p>The total duration of the test shall be 10 min.</p>
3	<p>The test shall be made using equipment such as is shown in Figure 4, provided that the dimensions and shape of the machine to be tested are such that the radius of the oscillating tube does not exceed 1 m. Where this condition cannot be fulfilled, a hand-held spray device, as shown in Figure 5, shall be used.</p> <p>a) Conditions when using test equipment as shown in Figure 4.</p> <p>The total flow rate shall be adjusted to an average rate of (0,067 to 0,074) l/min per hole multiplied by the number of holes. The total flow rate shall be measured with a flowmeter.</p> <p>The tube is provided with spray holes over an arc of 60° either side of the centre point and shall be fixed in a vertical position. The test machine is mounted on a turntable with a vertical axis and is located at approximately the centre point of the semicircle.</p> <p>The minimum duration of the test shall be 10 min.</p> <p>b) Conditions when using test equipment as shown in Figure 5.</p> <p>The moving shield shall be in place for this test.</p> <p>The water pressure is adjusted to give a delivery rate of (10 ± 0,5) l/min (pressure approximately 80 kPa to 100 kPa).</p> <p>The test duration shall be 1 min/m<sup>2</sup> of calculated surface area of the machine (excluding any mounting surface and cooling fin) with a minimum duration of 5 min.</p>
4	<p>The conditions for deciding whether the apparatus of Figure 4 or that of Figure 5 should be used are the same as stated for the second characteristic numeral 3.</p> <p>a) Using the equipment as shown in Figure 4.</p> <p>The oscillating tube has holes drilled over the whole 180° of the semicircle. The test duration and the total water flow rate are the same as for degree 3.</p> <p>The support for the machine under test shall be perforated so as to avoid acting as a baffle and the enclosure shall be sprayed from every direction by oscillating the tube at a rate of 60° s<sup>-1</sup> to the limit of its travel in each direction.</p> <p>b) Using the equipment as shown in Figure 5.</p> <p>The moving shield is removed from the spray nozzle and the machine is sprayed from all practicable directions.</p> <p>The rate of water delivery and the spraying time per unit area are the same as for degree 3.</p>
5	<p>The test is made by spraying the machine from all practicable directions with a stream of water from a standard test nozzle as shown in Figure 6. The conditions to be observed are as follows:</p> <ul style="list-style-type: none"> <li>– nozzle internal diameter: 6,3 mm;</li> <li>– delivery rate: 11,9 – 13,2 l/min;</li> <li>– water pressure at the nozzle: approximately 30 kPa (see NOTE 1);</li> <li>– test duration per m<sup>2</sup> of surface area of the machine: 1 min;</li> <li>– minimum test duration: 3 min;</li> </ul>

Second characteristic numeral	Test and acceptance conditions
	<ul style="list-style-type: none"> <li>– distance from nozzle to machine surface: approximately 3 m (see NOTE 2). (This distance may be reduced, if necessary to ensure proper wetting when spraying upwards).</li> </ul>
6	<p>The test is made by spraying the machine from all practicable directions with a stream of water from a standard test nozzle as shown in Figure 6. The conditions to be observed are as follows:</p> <ul style="list-style-type: none"> <li>– nozzle internal diameter: 12,5 mm;</li> <li>– delivery rate: 95 – 105 l/min</li> <li>– water pressure at the nozzle: approximately 100 kPa (see NOTE 1);</li> <li>– test duration per m<sup>2</sup> of surface area of the machine: 1 min;</li> <li>– minimum test duration: 3 min;</li> <li>– distance from nozzle to machine surface: approximately 3 m (see NOTE 2).</li> </ul>
7	<p>The test is made by completely immersing the machine in water so that the following conditions are satisfied:</p> <ol style="list-style-type: none"> <li>a) the surface of the water shall be at least 150 mm above the highest point of the machine;</li> <li>b) the lowest portion of the machine shall be at least 1 m below the surface of the water;</li> <li>c) the duration of the test shall be at least 30 min;</li> <li>d) the water temperature shall not differ from that of the machine by more than 5 °C.</li> </ol> <p>By agreement between manufacturer and user, this test may be replaced by the following procedure:</p> <p>The machine should be tested with an inside air pressure of about 10 kPa. The duration of the test is 1 min. The test is deemed satisfactory if no air leaks out during the test. Air leakage may be detected either by submersion, the water just covering the machine, or by the application onto it of a solution of soap in water.</p>
8	<p>The test conditions are subject to agreement between manufacturer and user, but they shall not be less severe than those prescribed for degree 7.</p>
9	<p>The test is made by spraying the enclosure with a stream of water from a standard test nozzle as shown in Figure 7. The set-up for measuring the impact force of the water jet is given in Figure 8a. The distribution force shall be verified at upper and lower limits of distance tolerance range (see Figure 8b). During the test a) or b) of the enclosure, the water temperature shall be (80 ± 5) °C.</p> <ol style="list-style-type: none"> <li>a) For small enclosures (largest dimension less than 250 mm), the enclosure shall be mounted on the test device shown in Figure 9:  turntable speed: 5 rev/min ± 1 rev/min  spray positions: 0°, 30°, 60°, 90°  The test duration is 30 s per position.</li> <li>b) For large enclosures (largest dimension greater than or equal to 250 mm), the enclosure shall be mounted as per intended use. The enclosure shall be sprayed covering the entire exposed surface area:  spray positions: the enclosure shall be sprayed from all practical directions covering the entire surface area and the spray shall be as far as it is possible perpendicular to the sprayed surface.  distance between nozzle and sample under test shall be 175 ± 25 mm.  The test duration is 1 min/m<sup>2</sup> of the calculated surface area of the enclosure (excluding any mounting surface), with a minimum duration of 3 min.</li> </ol>
<p>NOTE 1 The measurement of the water pressure may be replaced by that of the height to which the spray of the nozzle freely rises:</p> <p style="margin-left: 40px;">Pressure: 30 kPa      Height: 2,5 m</p> <p style="margin-left: 40px;">Pressure: 100 kPa      Height: 8 m</p> <p>NOTE 2 The distance of the nozzle to the machine under test, for degrees 5 and 6, was set at 3 m for practical reasons; it may be reduced in order to test the machine from every direction.</p>	



Dimensions in millimetres

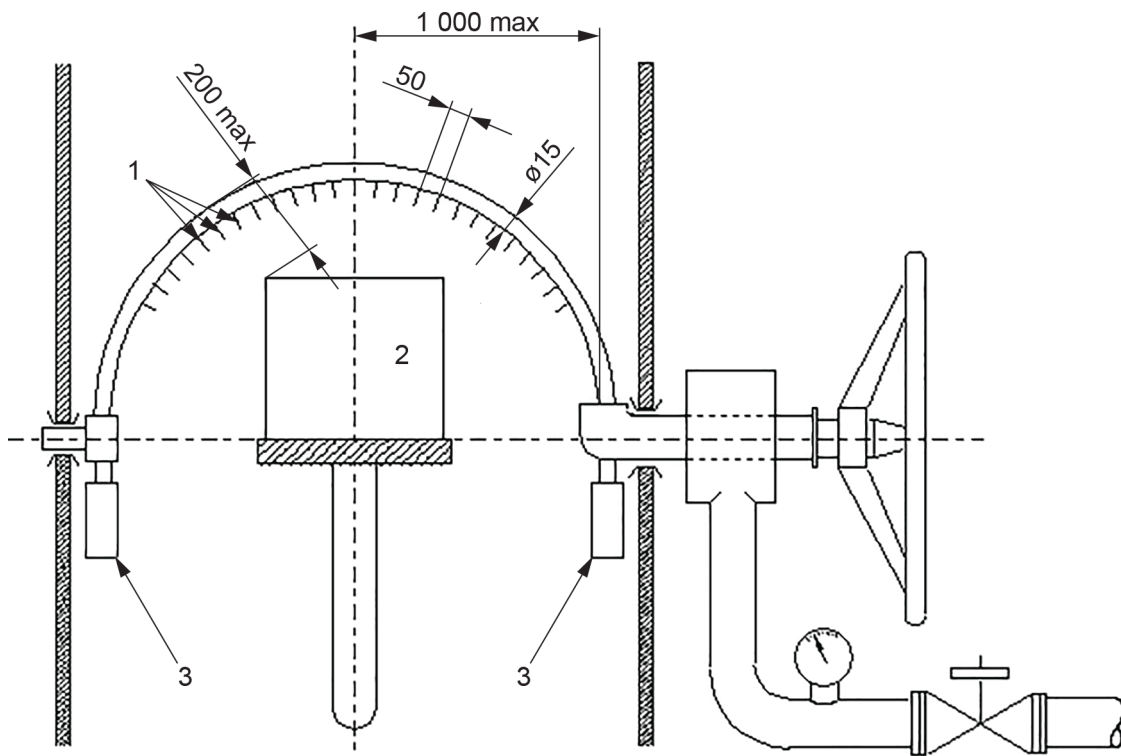


IEC

**Key**

- 1 Layers of sand and gravel to regulate flow of water, these layers being separated by metallic gauze and blotting paper
- 2 Machine under test

**Figure 3 – Equipment to prove protection against dripping water**



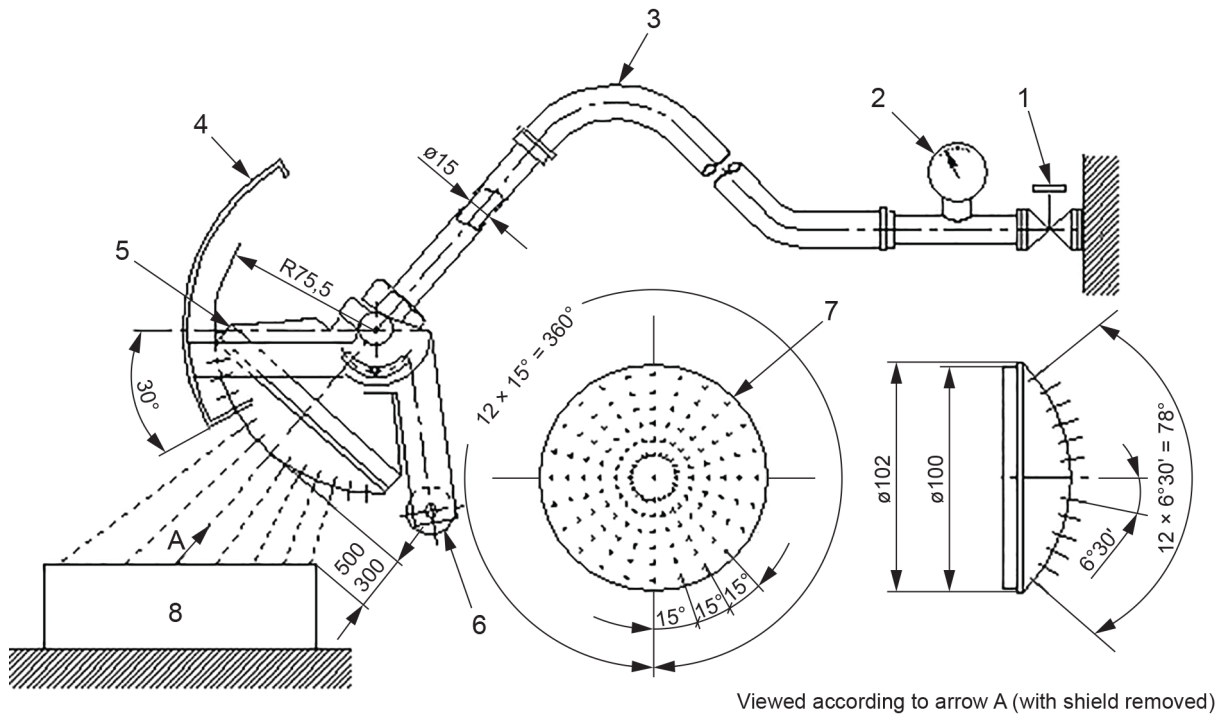
IEC

**Key**

- 1 Holes Ø0,4
- 2 Machine under test
- 3 Counterweight

**Figure 4 – Equipment to prove protection against spraying and splashing water**  
(shown with spraying holes in the case of second characteristic numeral 3)

Dimensions in millimetres



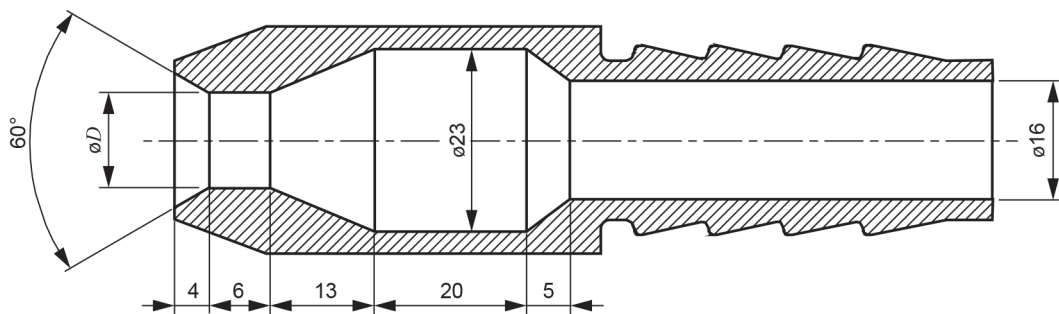
IEC

**Key**

- |                             |   |
|-----------------------------|---|
| 1 Cock                      | 7 Spray nozzle – brass with 121 holes Ø 0,5 |
| 2 Pressure gauge            | 1 hole in centre                            |
| 3 Hose                      | 2 inner circles of 12 holes at 30° pitch    |
| 4 Moving shield – aluminium | 4 outer circles of 24 holes at 15° pitch    |
| 5 Spray nozzle              | 8 Machine under test                        |
| 6 Counterweight             |   |

**Figure 5 – Hand-held equipment to prove protection against spraying and splashing water**

Dimensions in millimetres



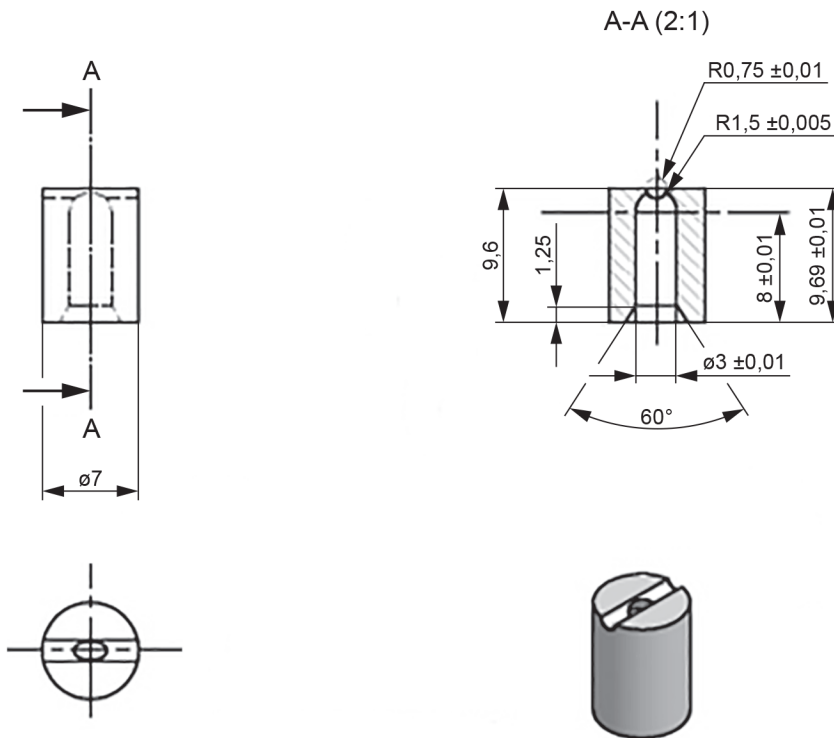
IEC

$D$  is 6,3 mm for the tests of Table 5 numeral 5

$D$  is 12,5 mm for the tests of Table 5 numeral 6

**Figure 6 – Standard nozzle for hose test**

Dimensions in millimetres

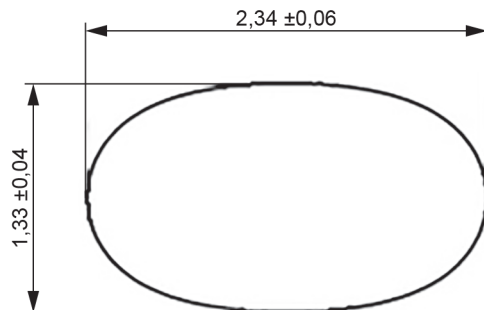


IEC

NOTE The dimension 9,69 +/-0,01 refers to the center of the radius R0,75 +/-0,01.

Figure 7a – Fan jet nozzle dimensions

Dimensions in millimetres



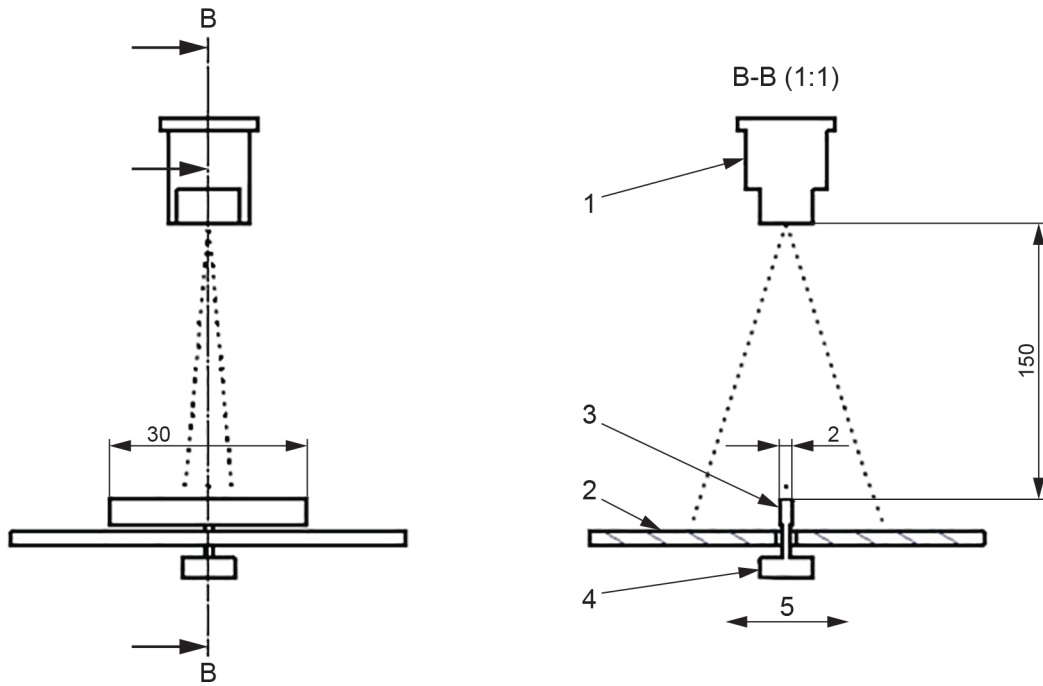
IEC

A magnification of 100 times the edge of the nozzle shall show regular profile.

Figure 7b – Fan jet nozzle resulting dimensions of spraying hole for checking purpose

Figure 7 – Geometry of fan jet nozzle

Dimensions in millimetres



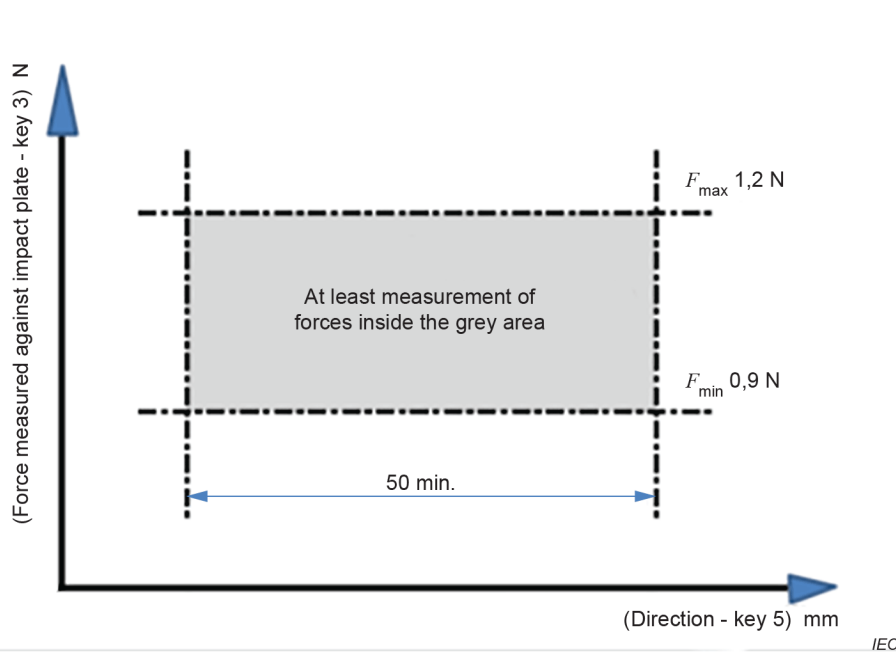
IEC

**Key**

- 1 Fan jet nozzle  
Adjustment of the flow - rate between  $(15 \pm 1)$  l/min to reach a distribution impact force of 0,9 – 1,2 N  
The water temperature during verification shall be  $(20 \pm 5)$  °C.
- 2 Cover plate
- 3 Impact plate  $2 \times 30$  mm
- 4 Force sensor
- 5 Distribution forces directions (see also Figure 8b)

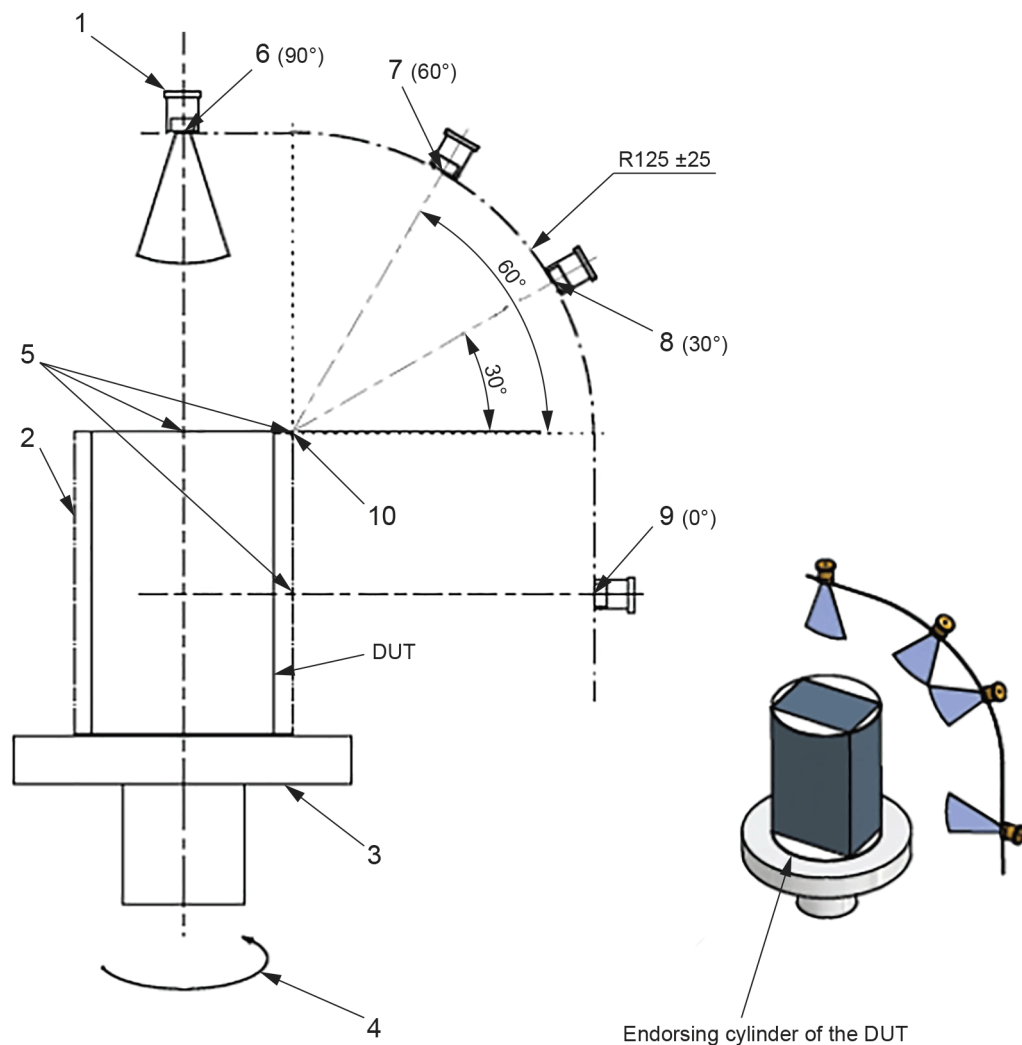
**Figure 8a – Set-up for measuring the impact force of the water jet for determining the protection against high pressure and high temperature water jet, degree of protection against ingress of water IP X9**

Dimensions in millimetres



IEC

**Figure 8b – Impact force distribution**  
**Figure 8 – Measurement of the impact force**



IEC

**Key**

- 1 Fan jet nozzle
- 2 Endorsing cylinder for device under test (DUT)
- 3 Holder (rotating table)
- 4 Swivel axis (axis of rotation)
- 5 Reference point for 0°, for 30° and 60°, then for 90° versus the endorsing cylinder for device under test (DUT)
- 6 Position 1 of the nozzle (90°)
- 7 Position 2 of the nozzle (60°)
- 8 Position 3 of the nozzle (30°)
- 9 Position 4 of the nozzle (0°)
- 10 Center point of circle R125mm to locate nozzles

**Figure 9 – Test set-up for determining the protection against high-pressure/steam-jet cleaning – degree of protection against ingress of water IP X9 for small enclosures**

**10.2 Acceptance conditions**

**10.2.1 General**

After the test in accordance with Table 5 has been carried out, the machine shall be inspected for ingress of water and subjected to the following verification and tests.

**10.2.2 Ingress of water**

The amount of water which has entered the machine shall not be capable of interfering with its satisfactory operation. The windings and live parts not designed to operate when wet shall not be wet and no accumulation of water which could reach them shall occur inside the machine.

It is, however, permissible for the blades of fans inside rotating machines to be wet and leakage along the shaft is allowable if provision is made for drainage of this water.

**10.2.3 Withstand voltage test**

In the case of a test on a machine not running:

- a) the machine shall be operated under no-load conditions at rated voltage for 15 min,
- b) then be submitted to a withstand voltage test, the test voltage being 50 % of the test voltage for a new machine (but not less than 125 % of the rated voltage).

In the case of a test on a running machine, only the withstand voltage test is made, in accordance with item b) above.

The test is deemed satisfactory if these checks show no failure.

**11 Requirements and tests for open weather-protected machines**

The degree of protection W is intended for air-cooled open machines with open circuit cooling, that is, machines with cooling systems designated by IC0X to IC3X according to IEC 60034-6.

Weather-protected machines shall be so designed that the ingress of rain, snow and airborne particles into the electrical parts is reduced.

Other measures providing weather protection (such as encapsulated windings or total enclosure) are not designated by W.

Machines with degree of protection W shall have ventilation passages constructed such that:

- a) at both intake and discharge, high-velocity air and airborne particles are prevented from entering the internal passages leading directly to the electrical parts of the machine;
- b) the air intake path, by baffling or use of separate housings, provides at least three abrupt changes in the direction of the air intake, each of which is at least 90°;
- c) the air intake path provides an area of average velocity not exceeding 3 m/s, enabling any particles to settle. Removable or otherwise easy to clean filters or any other arrangement for the separation of particles may be provided instead of a settling chamber.

The protection of the machine against contact, foreign objects and water shall comply with the conditions and tests specified for the stated degree of protection.

The design of the terminal box shall ensure a degree of protection of at least IP54.

If necessary, arrangements to provide protection against icing, moisture, corrosion or other abnormal conditions shall be made by agreement (e.g. by using anti-condensation heating).

For the verification of weather protection W, a study of drawings is generally sufficient.







## Bureau of Indian Standards

BIS is a statutory institution established under the *Bureau of Indian Standards Act, 2016* to promote harmonious development of the activities of standardization, marking and quality certification of goods and attending to connected matters in the country.

### Copyright

BIS has the copyright of all its publications. No part of these publications may be reproduced in any form without the prior permission in writing of BIS. This does not preclude the free use, in the course of implementing the standard, of necessary details, such as symbols and sizes, type or grade designations. Enquiries relating to copyright be addressed to the Head (Publication & Sales), BIS.

### Review of Indian Standards

Amendments are issued to standards as the need arises on the basis of comments. Standards are also reviewed periodically; a standard along with amendments is reaffirmed when such review indicates that no changes are needed; if the review indicates that changes are needed, it is taken up for revision. Users of Indian Standards should ascertain that they are in possession of the latest amendments or edition by referring to the website-[www.bis.gov.in](http://www.bis.gov.in) or [www.standardsbis.in](http://www.standardsbis.in).

This Indian Standard has been developed from Doc No.: ETD 15 (25634).

### Amendments Issued Since Publication

Amend No.	Date of Issue	Text Affected

## BUREAU OF INDIAN STANDARDS

### Headquarters:

Manak Bhavan, 9 Bahadur Shah Zafar Marg, New Delhi 110002

Telephones: 2323 0131, 2323 3375, 2323 9402

Website: [www.bis.gov.in](http://www.bis.gov.in)

### Regional Offices:

	Telephones
Central : 601/A, Konnectus Tower -1, 6 <sup>th</sup> Floor, DMRC Building, Bhavbhuti Marg, New Delhi 110002	{ 2323 7617
Eastern : 8 <sup>th</sup> Floor, Plot No 7/7 & 7/8, CP Block, Sector V, Salt Lake, Kolkata, West Bengal 700091	{ 2367 0012 2320 9474
Northern : Plot No. 4-A, Sector 27-B, Madhya Marg, Chandigarh 160019	{ 265 9930
Southern : C.I.T. Campus, IV Cross Road, Taramani, Chennai 600113	{ 2254 1442 2254 1216
Western : 5 <sup>th</sup> Floor/MTNL CETTM, Technology Street, Hiranandani Gardens, Powai Mumbai 400076	{ 25700030 25702715

**Branches :** AHMEDABAD, BENGALURU, BHOPAL, BHUBANESHWAR, CHANDIGARH, CHENNAI, COIMBATORE, DEHRADUN, DELHI, FARIDABAD, GHAZIABAD, GUWAHATI, HARYANA (CHANDIGARH), HUBLI, HYDERABAD, JAIPUR, JAMMU, JAMSHEDPUR, KOCHI, KOLKATA, LUCKNOW, MADURAI, MUMBAI, NAGPUR, NOIDA, PARWANOO, PATNA, PUNE, RAIPUR, RAJKOT, SURAT, VIJAYAWADA.