

**AMENDMENT NO. 1 OCTOBER 2024**  
**TO**  
**IS 18297 : 2023 CABINET HINGES — SPECIFICATION**

(Page 1, clause 4.2) — Substitute the following for the existing:

**4.2 Size**

The size of the cabinet hinge shall be denoted by the hinge cup diameter (D), the most common size of hinge cup diameter are 26 mm, 35 mm and 40 mm (see Fig. 2). The length (L) of the hinge is measured in its open condition (mm). Cabinet hinges are also manufactured in different lengths (L), the most common lengths of cabinet hinges are 30 mm, 50 mm, 75 mm, 100 mm, 125 mm, 150 mm, 175 mm and 200 mm (see Fig. 2).'

(Page 2, Fig. 2) — Substitute the following for the existing:

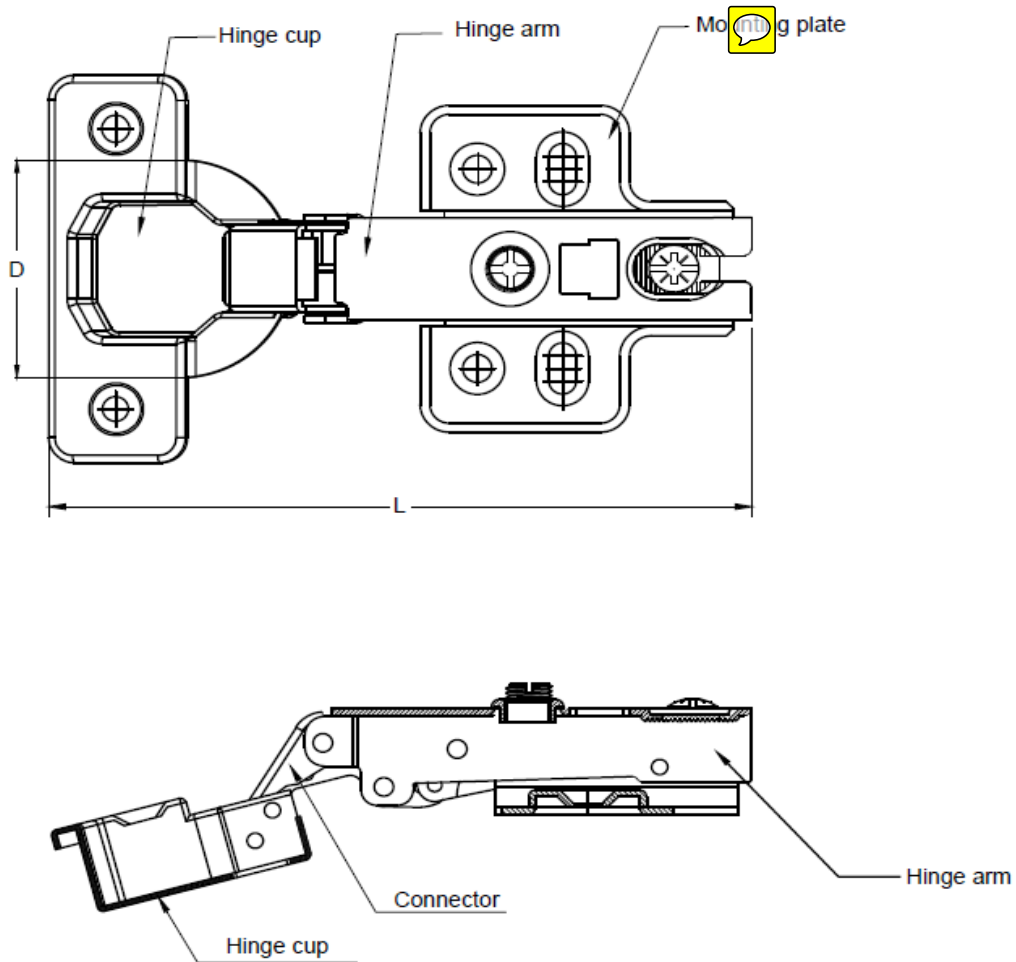


FIG. 2 TYPICAL SKETCH OF CABINET HINGE

**Price Group 1**

**Amendment No. 1 to IS 18297 : 2023**

[Page 5, Table 3, col (6), heading] — Substitute ‘Distance from Top and Bottom Edges’ for ‘Distance from Top to Bottom Edges’.

[Page 5, Table 3, Sl No. (i), col (5)] — Substitute ‘18’ for ‘20’.

(Page 11, clause 7.4, line 3) — Substitute ‘48 h neutral salt spray test’ for ‘72 h salt spray test’.

(CED 15)

---

Publication, BIS, New Delhi