

---

---

द्रवचालित प्रोप्स — विशिष्टि  
(पहला पुनरीक्षण)

Hydraulic Props — Specification  
(First Revision)

ICS 73.100.01

© BIS 2024



भारतीय मानक ब्यूरो  
BUREAU OF INDIAN STANDARDS  
मानक भवन, 9 बहादुर शाह ज़फर मार्ग, नई दिल्ली - 110002  
MANAK BHAVAN, 9 BAHADUR SHAH ZAFAR MARG  
NEW DELHI - 110002  
[www.bis.gov.in](http://www.bis.gov.in) [www.standardsbis.in](http://www.standardsbis.in)

October 2024

Price Group 5

## FOREWORD

This Indian Standard (First Revision) was adopted by the Bureau of Indian Standards after the draft finalized by the Mining Techniques and Equipment Sectional Committee had been approved by the Mechanical Engineering Divisional Council.

This standard was first published in 1977. The present revision has been brought out with a view to incorporate the modification found necessary as a result of experience gained in the use of this standard. Also, in this revision, the standard has been brought into the latest style and format of Indian Standards, and references to Indian Standards, wherever applicable have been updated. BIS certification marking clause has been modified to align with the revised *Bureau of Indian Standard Act, 2016*.

The composition of the Committee responsible for the formulation of this standard is given in [Annex A](#).

For the purpose of deciding whether a particular requirement of this standard is complied with, the final value, observed or calculated, expressing the result of a test or analysis, shall be rounded off in accordance with IS 2 : 2022 'Rules for rounding off numerical values (*second revision*)'. The number of significant places retained in the rounded-off value should be the same as that of the specified value in this standard.

*Indian Standard*  
**HYDRAULIC PROPS — SPECIFICATION**  
*( First Revision )*

**1 SCOPE**

This standard specifies the requirements for hydraulic props for use in mines.

**2 TERMINOLOGY**

For the purpose of this standard the following terminology shall apply (*see* Fig. 1).

**2.1 Extended Length ( $L_1$ )** — The length measured from the bottom surface of the base plate to the sealing surface of the crown on the fully extended inner member.

**2.2 Closed Length ( $L_2$ )** — The length measured from the bottom surface of the base plate to the seating surface of the crown on the fully collapsed inner member.

**2.3 Hydraulic Travel** — The difference between the extended length  $L_1$  and closed length  $L_2$ .

**2.4 Extension** — The difference between any arbitrarily extended length  $L_1$  and closed length  $L_2$ .

**2.5 Yield** — The change in extension of hydraulic prop under load, measured in mm.

**2.6 Rate of Yield** — The yield per unit time, measured in mm/min.

**2.7 Nominal Yield Load** — The rated value of the maximum resistance which the hydraulic prop offers continuously in operating condition. It is also the load at which the hydraulic prop yields due to the operation of the relief valve.

**2.8 Yield Pressure** — The pressure of the hydraulic fluid inside the hydraulic prop corresponding to nominal yield load.

**2.9 Setting Load** — The load at which the hydraulic prop is initially set against a roof bar in underground mines or against a rigidly held frame or testing machine.

**2.10 Setting Pressure** — The pressure of the hydraulic fluid of the hydraulic prop corresponding to setting load.

**3 TYPES**

*Type A* — Hydraulic prop with closed hydraulic system; and

*Type B* — Hydraulic prop with external feed.

**4 DIMENSIONS**

It shall be as shown in [Fig. 1](#).

**4.1** The values of extended length  $L_1$  and corresponding closed length  $L_2$ , in millimeters, shall be as given below:

**5 NOMINAL YIELD LOAD**

The nominal yield load of the hydraulic prop in kN shall be one of the following:

200 250 300 350 400

**6 DESIGNATION**

A hydraulic prop of Type A with a nominal yield load of 200 kN and 2 390 mm extended length shall be designated as:

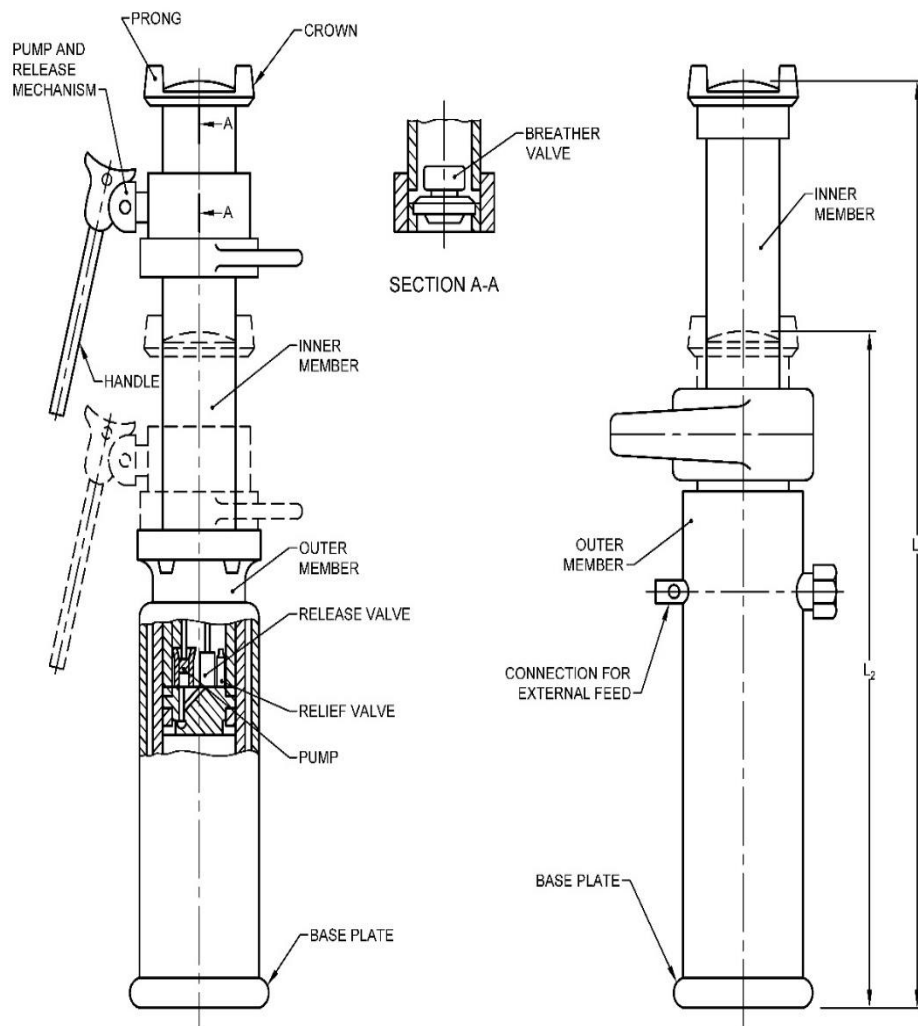
Hydraulic prop A200 × 2 390 IS 8421

**7 GENERAL REQUIREMENTS**

**7.1** The design of the hydraulic props shall ensure that:

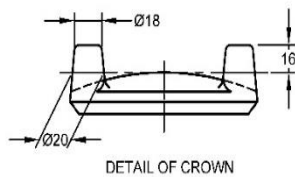
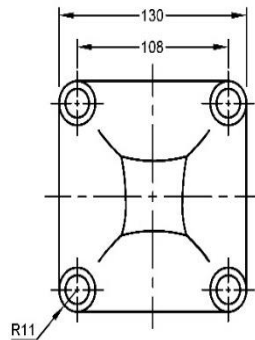
- a) There are no external sharp corners or edges which may injure human body while handling the props;
- b) Suitable handles are provided for convenience of handling;
- c) The working chamber of the cylinder is protected against penetration of dust in it; and
- d) The props can be used with various operating liquids depending on the application.

$L_1$ <i>Min</i>	610	710	840	940	1 065	1 195	1 290	1 400	1 525	1 650	1 745	1 880	2 030	2 160	2 390	2 600	2 800	3 000
$L_2$ <i>Max</i>	485	560	650	710	810	890	970	1 045	1 145	1 220	1 245	1 320	1 450	1 680	1 680	1 850	2 050	2 200



TYPE A HYDRAULIC PROP WITH CLOSED HYDRAULIC SYSTEM

TYPE B HYDRAULIC PROP WITH EXTERNAL FEED



All dimensions in millimetres.

FIG. 1 DIMENSIONS FOR HYDRAULIC PROPS

**7.2** The pressure of the base plate of the prop on the ground, corresponding to nominal yield load, shall not exceed 24.6 MPa. To reduce the pressure on the ground, suitable attachment with the base plate with larger contact area may be used.

**7.3** The parts of the hydraulic prop, liable to be exposed to the atmosphere, shall have suitable anticorrosive coating.

**7.4** The prop shall incorporate means enabling it to be preloaded, to yield under load and, as a part of the process of withdrawal, to be relieved of load.

## 8 MARKING

Hydraulic props shall be marked with the manufacturer's name, registered trademark or both, serial number, nominal yield load and extended length of the prop.

### 8.1 BIS Certification Marking

The product(s) conforming to the requirements of this standard may be certified as per the conformity assessment schemes under the provisions of the *Bureau of Indian Standards Act, 2016* and the Rules and Regulations framed thereunder, and the products may be marked with the Standard Mark.

## 9 TEST

### 9.1 Type Tests

At least two hydraulic props together with any accessory shall be subjected to tests laid down in [9.3](#) to [9.8](#).

### 9.2 Routine Tests

**9.2.1** The number of props as given in col (2) of [Table 1](#) shall be subjected to tests laid down

in [9.3](#), [9.4.1](#) and [9.6](#).

**9.2.2** The number of props as given in col (3) of the [Table 1](#) shall be subjected to tests laid down in [9.4.2](#), [9.5](#), [9.7](#) and [9.8](#) also. For the purpose of these tests, the props shall be selected from the props already tested in accordance with [9.2.1](#).

**9.2.3** The lot shall be considered conforming to this standard if all the props tested in accordance with [9.2.1](#) and [9.2.2](#) satisfy the corresponding requirements.

### 9.3 Setting Load Test

The prop shall be set vertically against the testing machine by different operators in the manner laid down by manufacturers. The average and maximum rates of setting load shall be determined. For props of Type A the number and length of strokes on the pump handle shall also be noted for a series of setting loads.

### 9.4 Load Yield Test

#### 9.4.1 Axial Load Test

The test shall be conducted at any point over the full available hydraulic travel with the crown in contact with a short length of roof bar securely fastened to the top crosshead of the machine.

A gradually increasing load shall be applied on the prop and the maximum and minimum loads at which the relief valve opens and closes shall be recorded. Autographic records of these loads shall be obtained when possible to ascertain the characteristics of props. In case of spot readings, there number shall be sufficient to give a reasonable indication of the performance of the relief valve during the test.

**Table 1 Sample Size for Routine Tests**

SI No.	Lot Size	Sample Size for <a href="#">9.2.1</a>	Sample Size for <a href="#">9.2.2</a>
(1)	(2)	(3)	(4)
i)	2 to 15	2	2
ii)	16 to 25	3	3
iii)	26 to 50	5	3
iv)	51 to 100	5	5
v)	101 to 150	8	5
vi)	151 to 300	13	8
vii)	301 to 500	20	8
viii)	501 to 1 000	32	13
ix)	1 001 to 3 000	50	13
x)	3 001 and above	80	20

**9.4.1.1** With a maximum rate of yield of 10 mm/min, the test shall be conducted for a minimum, yield of 100 mm or with 8 litres of fluid passing through the relief valve whichever is more. This test shall be repeatedly conducted till a total yield of 1 000 mm minimum is achieved.

**9.4.1.2** The effect of an impact on prop during yield shall be investigated:

- a) By striking the prop towards its axis, and
- b) Where possible, by giving a downward blow to the crown.

The effect of interruptions in yield shall also be noted.

#### **9.4.2 Eccentric Load Test**

With test length as  $L_1$  and the prop set with an eccentricity of 54 mm at the crown (the line of thrust shall pass through the centre of the base plate and a point 54 mm off, set from the centre of the crown), the load on the prop shall be gradually increased till the prop yields. This test shall normally be made over small lengths of yield.

#### **9.5 Release Test**

Ease and method of release shall be investigated over a range of working loads and the rate of closure noted while the release valve is held open. Particular note shall be taken as to whether release may be effected from a safe position.

#### **9.6 Static Leakage Tests**

These tests (see [9.6.1](#) to [9.6.3](#)) shall be carried out after conducting an axial load test (see [9.4.1](#)).

##### **9.6.1 Leakage in Unloaded Props**

Note shall be taken of any tendency for hydraulic fluid to leak from the prop. With the prop lying on the ground either in a horizontal or in an inclined position, it shall be noted if any hydraulic fluid leaks from the prop.

##### **9.6.2 Leakage in Prop Loaded with Low Pressure**

The prop shall be set vertically in a rigid frame at various loads up to its maximum setting load. The rate of loss of load and the total loss of load shall be recorded over a period of 72 h.

##### **9.6.3 Leakage in Prop Loaded with High Pressure**

The prop shall be set vertically in testing, machine and loaded gradually up to 90 percent of the nominal

yield load. The prop shall be held at this, load for at least 10 min and fall in load if any shall be noted.

#### **9.7 Overload Test**

##### **9.7.1 With Prop Extended**

With the test length as  $L_1$  and relief valve blocked, the prop shall be set vertically in the testing machine. An axial load gradually increasing to one and a half times the nominal yield load shall be applied on the prop. The prop shall be held at this load for 5 min. Any damage to the prop or its components shall be recorded. The prop conforming to this test shall be subjected to axial load test (see [9.4.1](#)) again and change in characteristic of prop noted.

##### **9.7.2 With Prop Closed**

With test length as  $L_2$  the prop shall be set vertically in the testing machine and the load on the prop shall be gradually increased to twice the nominal yield load. The prop shall be held at this load for five min. Any damage or change of characteristics of the prop shall be noted as specified in [9.7.1](#).

#### **9.8 Internal Examination of Prop**

After conducting the tests specified in [9.3](#) to [9.7](#) the prop shall be dismantled for the following observations:

- a) Any damage to prop or its component;
- b) Any dirt;
- c) Any flaking of surface plating; and
- d) Any erosion or pitting of valve member.

**9.9** This standard does not prevent any other tests in addition to those already described in [9.3](#) to [9.8](#), to be carried out optionally by the testing authority of the institute or by the manufacturer. Additional tests may also be carried out to investigate any novel feature.

### **10 MINIMUM PERFORMANCE REQUIREMENTS**

**10.1** A minimum setting load (see [9.3](#)) of 50 kN ( $\approx 5t$ ) shall be attainable.

**10.2** The average characteristics of the prop in load yield test (see [9.4](#)) shall be within +15 percent and -5 percent of the rated nominal yield load.

**10.3** The fall in load due to relief valve operation during yield shall not exceed 15 percent of rated nominal yield load.

**10.4** The volume of fluid leaked from the prop over a period of 24 h shall not exceed 5 cm<sup>3</sup> in static leakage test with unloaded prop (*see* [9.6.1](#)).

**10.5** The load shall not fall below 20 kN ( $\approx$  2t) in a period of 72 h, in a static leakage test with prop loaded with low pressure (*see* [9.6.2](#)).

**10.6** No fall in load shall occur in static leakage test with prop loaded with high pressure (*see* [9.6.3](#)).

**10.7** There shall be no failure or damage to the mechanism of the prop in overload tests (*see* [9.7](#)). The load-yield characteristics of the prop in axial load tests recorded after the overload tests shall not deviate from the initial characteristics.

**10.8** There shall be no abnormal wear, distortion or failure of any part of the prop in any of the tests.

ANNEX A

*(Foreword)*

COMMITTEE COMPOSITION

Mining Techniques and Equipment Sectional Committee, MED 08

<i>Organization</i>	<i>Representative(s)</i>
Directorate General of Mines Safety, Dhanbad	SHRI SAIFULLAH ANSARI ( <i>Chairperson</i> )
Automotive Research Association of India, Pune	SHRI MILIND KANDALKAR SHRI DHONDIRAM MOLE ( <i>Alternate</i> )
BEML Limited, Bengaluru	SHRI V. R. S. PRASAD RAO SHRI H. G. SURESH ( <i>Alternate</i> )
CSIR - Central Institute for Mining and Fuel Research, Dhanbad	DR MANOJ KUMAR SINGH SHRI SURAJIT DEY ( <i>Alternate I</i> ) PROF S. K. KASHYAP ( <i>Alternate II</i> )
Directorate General of Mines Safety, Dhanbad	SHRI M. ARUMUGAM
Eastern Coalfields Limited, Dishergarh	SHRI SARVESH KUMAR SHRI AJAY BHOWMIK ( <i>Alternate</i> )
Eimco Elecon (India) Limited, Vallabh Vidyanagar	SHRI RAM RAMESH KALE SHRI VINAY JAYNARAYAN SHARMA ( <i>Alternate</i> )
Hutti Gold Mines Company Limited, Bengaluru	DR PRABHAKAR SANGOORMATH SHRI MALLIKARJUN SARAPUR ( <i>Alternate I</i> ) MS MEGA HIREMATH ( <i>Alternate II</i> )
Indian Institute of Technology (ISM), Dhanbad	SHRI L. A. KUMARASWAMIDHAS
Manganese Ore Limited, Nagpur	SHRI RAKESH KUMAR VERMA SHRI ATUL SHARMA ( <i>Alternate I</i> ) SHRI ASHWINI BAGHELE ( <i>Alternate II</i> )
Metso Outotec India Private Limited, Vadodara	SHRI SANDEEP DEOKISAN BHATTAD
Nanda Millar Company, Kolkata	SHRI J. P. GOENKA SHRI MADHUR GOENKA ( <i>Alternate</i> )
Tata Steel Limited, Dhanbad	SHRI SOUMENDHU MANJHI SHRI ABINASH JHA ( <i>Alternate</i> )
BIS Directorate General	SHRI K. VENKATESWARA RAO, SCIENTIST 'F'/SENIOR DIRECTOR AND HEAD (MECHANICAL ENGINEERING) [REPRESENTING DIRECTOR GENERAL ( <i>Ex-officio</i> )]

*Member Secretary*

SHRI SHUBHAM TIWARI  
SCIENTIST 'C'/DEPUTY DIRECTOR  
(MECHANICAL ENGINEERING), BIS





## Bureau of Indian Standards

BIS is a statutory institution established under the *Bureau of Indian Standards Act, 2016* to promote harmonious development of the activities of standardization, marking and quality certification of goods and attending to connected matters in the country.

### Copyright

BIS has the copyright of all its publications. No part of these publications may be reproduced in any form without the prior permission in writing of BIS. This does not preclude the free use, in the course of implementing the standard, of necessary details, such as symbols and sizes, type or grade designations. Enquiries relating to copyright be addressed to the Head (Publication & Sales), BIS.

### Review of Indian Standards

Amendments are issued to standards as the need arises on the basis of comments. Standards are also reviewed periodically; a standard along with amendments is reaffirmed when such review indicates that no changes are needed; if the review indicates that changes are needed, it is taken up for revision. Users of Indian Standards should ascertain that they are in possession of the latest amendments or edition by referring to the website-[www.bis.gov.in](http://www.bis.gov.in) or [www.standardsbis.in](http://www.standardsbis.in).

This Indian Standard has been developed from Doc No.: MED 08 (21737).

### Amendments Issued Since Publication

Amend No.	Date of Issue	Text Affected

## BUREAU OF INDIAN STANDARDS

### Headquarters:

Manak Bhavan, 9 Bahadur Shah Zafar Marg, New Delhi 110002

Telephones: 2323 0131, 2323 3375, 2323 9402

Website: [www.bis.gov.in](http://www.bis.gov.in)

### Regional Offices:

Central : 601/A, Konnectus Tower -1, 6<sup>th</sup> Floor,  
DMRC Building, Bhavbhuti Marg, New  
Delhi 110002

Telephones

{ 2323 7617

Eastern : 8<sup>th</sup> Floor, Plot No 7/7 & 7/8, CP Block, Sector V,  
Salt Lake, Kolkata, West Bengal 700091

{ 2367 0012  
{ 2320 9474

Northern : Plot No. 4-A, Sector 27-B, Madhya Marg,  
Chandigarh 160019

{ 265 9930

Southern : C.I.T. Campus, IV Cross Road, Taramani, Chennai 600113

{ 2254 1442  
{ 2254 1216

Western : 5<sup>th</sup> Floor/MTNL CETTM, Technology Street, Hiranandani Gardens,  
Powai, Mumbai 400076

{ 2570 0030  
{ 2570 2715

**Branches :** AHMEDABAD, BENGALURU, BHOPAL, BHUBANESHWAR, CHANDIGARH, CHENNAI, COIMBATORE, DEHRADUN, DELHI, FARIDABAD, GHAZIABAD, GUWAHATI, HARYANA (CHANDIGARH), HUBLI, HYDERABAD, JAIPUR, JAMMU, JAMSHEDPUR, KOCHI, KOLKATA, LUCKNOW, MADURAI, MUMBAI, NAGPUR, NOIDA, PARWANOO, PATNA, PUNE, RAIPUR, RAJKOT, SURAT, VIJAYAWADA.