

INTERNATIONAL STANDARD

NORME INTERNATIONALE

**Lightning protection system components (LPSC) –
Part 4: Requirements for conductor fasteners**

**Composants des systèmes de protection contre la foudre (CSPF) –
Partie 4: Exigences pour les fixations de conducteurs**



THIS PUBLICATION IS COPYRIGHT PROTECTED

Copyright © 2023 IEC, Geneva, Switzerland

All rights reserved. Unless otherwise specified, no part of this publication may be reproduced or utilized in any form or by any means, electronic or mechanical, including photocopying and microfilm, without permission in writing from either IEC or IEC's member National Committee in the country of the requester. If you have any questions about IEC copyright or have an enquiry about obtaining additional rights to this publication, please contact the address below or your local IEC member National Committee for further information.

Droits de reproduction réservés. Sauf indication contraire, aucune partie de cette publication ne peut être reproduite ni utilisée sous quelque forme que ce soit et par aucun procédé, électronique ou mécanique, y compris la photocopie et les microfilms, sans l'accord écrit de l'IEC ou du Comité national de l'IEC du pays du demandeur. Si vous avez des questions sur le copyright de l'IEC ou si vous désirez obtenir des droits supplémentaires sur cette publication, utilisez les coordonnées ci-après ou contactez le Comité national de l'IEC de votre pays de résidence.

IEC Secretariat
3, rue de Varembe
CH-1211 Geneva 20
Switzerland

Tel.: +41 22 919 02 11
info@iec.ch
www.iec.ch

About the IEC

The International Electrotechnical Commission (IEC) is the leading global organization that prepares and publishes International Standards for all electrical, electronic and related technologies.

About IEC publications

The technical content of IEC publications is kept under constant review by the IEC. Please make sure that you have the latest edition, a corrigendum or an amendment might have been published.

IEC publications search - webstore.iec.ch/advsearchform

The advanced search enables to find IEC publications by a variety of criteria (reference number, text, technical committee, ...). It also gives information on projects, replaced and withdrawn publications.

IEC Just Published - webstore.iec.ch/justpublished

Stay up to date on all new IEC publications. Just Published details all new publications released. Available online and once a month by email.

IEC Customer Service Centre - webstore.iec.ch/csc

If you wish to give us your feedback on this publication or need further assistance, please contact the Customer Service Centre: sales@iec.ch.

IEC Products & Services Portal - products.iec.ch

Discover our powerful search engine and read freely all the publications previews. With a subscription you will always have access to up to date content tailored to your needs.

Electropedia - www.electropedia.org

The world's leading online dictionary on electrotechnology, containing more than 22 300 terminological entries in English and French, with equivalent terms in 19 additional languages. Also known as the International Electrotechnical Vocabulary (IEV) online.

A propos de l'IEC

La Commission Electrotechnique Internationale (IEC) est la première organisation mondiale qui élabore et publie des Normes internationales pour tout ce qui a trait à l'électricité, à l'électronique et aux technologies apparentées.

A propos des publications IEC

Le contenu technique des publications IEC est constamment revu. Veuillez vous assurer que vous possédez l'édition la plus récente, un corrigendum ou amendement peut avoir été publié.

Recherche de publications IEC -

webstore.iec.ch/advsearchform

La recherche avancée permet de trouver des publications IEC en utilisant différents critères (numéro de référence, texte, comité d'études, ...). Elle donne aussi des informations sur les projets et les publications remplacées ou retirées.

IEC Just Published - webstore.iec.ch/justpublished

Restez informé sur les nouvelles publications IEC. Just Published détaille les nouvelles publications parues. Disponible en ligne et une fois par mois par email.

Service Clients - webstore.iec.ch/csc

Si vous désirez nous donner des commentaires sur cette publication ou si vous avez des questions contactez-nous: sales@iec.ch.

IEC Products & Services Portal - products.iec.ch

Découvrez notre puissant moteur de recherche et consultez gratuitement tous les aperçus des publications. Avec un abonnement, vous aurez toujours accès à un contenu à jour adapté à vos besoins.

Electropedia - www.electropedia.org

Le premier dictionnaire d'électrotechnologie en ligne au monde, avec plus de 22 300 articles terminologiques en anglais et en français, ainsi que les termes équivalents dans 19 langues additionnelles. Egalement appelé Vocabulaire Electrotechnique International (IEV) en ligne.



IEC 62561-4

Edition 3.0 2023-10

INTERNATIONAL STANDARD

NORME INTERNATIONALE

**Lightning protection system components (LPSC) –
Part 4: Requirements for conductor fasteners**

**Composants des systèmes de protection contre la foudre (CSPF) –
Partie 4: Exigences pour les fixations de conducteurs**

INTERNATIONAL
ELECTROTECHNICAL
COMMISSION

COMMISSION
ELECTROTECHNIQUE
INTERNATIONALE

ICS 29.020, 91.120.40

ISBN 978-2-8322-7614-3

**Warning! Make sure that you obtained this publication from an authorized distributor.
Attention! Veuillez vous assurer que vous avez obtenu cette publication via un distributeur agréé.**

CONTENTS

FOREWORD.....	4
INTRODUCTION.....	6
1 Scope.....	7
2 Normative references	7
3 Terms and definitions	8
4 Classification.....	8
4.1 According to the material of the conductor fastener.....	8
4.2 According to the fixing arrangement of the conductor within the conductor fastener	8
4.3 According to the conductor clamping arrangement	8
5 Requirements	8
5.1 General.....	8
5.2 Environmental requirements	9
5.2.1 Corrosion resistance.....	9
5.2.2 Ultraviolet (UV) light resistance	9
5.3 Mechanical strength.....	9
5.3.1 Perpendicular and axial loads.....	9
5.3.2 Impact tests.....	9
5.4 Installation instructions	9
5.5 Marking.....	10
5.5.1 Content of marking	10
5.5.2 Durability and legibility.....	10
6 Tests	10
6.1 General test conditions	10
6.2 Preparation of the specimen	11
6.3 Environmental influence test	11
6.3.1 General	11
6.3.2 Metallic.....	11
6.3.3 Non-metallic	12
6.3.4 Composite	12
6.4 Resistance to mechanical effects.....	13
6.4.1 Lateral load test.....	13
6.4.2 Axial load test.....	14
6.4.3 Impact test.....	15
6.5 Installation instructions	15
6.5.1 General conditions.....	15
6.5.2 Acceptance criteria	15
6.6 Marking test.....	15
6.6.1 General test conditions	15
6.6.2 Acceptance criteria	15
6.7 Construction	16
7 Electromagnetic compatibility (EMC)	16
8 Structure and content of the test report.....	16
8.1 General.....	16
8.2 Report identification.....	16
8.3 Specimen description.....	17

8.4	Conductor	17
8.5	Standards and references	17
8.6	Test procedure.....	17
8.7	Testing equipment, description	17
8.8	Measuring instruments description	17
8.9	Results and parameters recorded	17
8.10	Statement of pass and fail	18
Annex A (normative) Resistance to corrosion for metallic and composite conductor fasteners		19
A.1	General.....	19
A.2	Salt mist treatment.....	19
A.3	Humid sulphurous atmosphere treatment	19
A.4	Ammonia atmosphere treatment.....	19
Annex B (normative) Environmental test for non-metallic and composite conductor fasteners – Resistance to ultraviolet light.....		20
B.1	General.....	20
B.2	Test	20
B.3	First alternative test to Clause B.2	20
B.4	Second alternative test to Clause B.2	20
Annex C (normative) Applicability of previous tests		21
Annex D (normative) Flow chart of tests for conductor fastener		22
Bibliography.....		23
Figure 1 – Basic arrangement of specimens.....		12
Figure 2 – Basic arrangement of lateral load test		13
Figure 3 – Typical arrangement for axial movement test		14
Figure D.1 – Flowchart of tests for conductor fastener		22
Table C.1 – Differences in the requirements for conductor fasteners complying with IEC 62561-4:2010 or 62561-4:2017		21

INTERNATIONAL ELECTROTECHNICAL COMMISSION

LIGHTNING PROTECTION SYSTEM COMPONENTS (LPSC) –

Part 4: Requirements for conductor fasteners

FOREWORD

- 1) The International Electrotechnical Commission (IEC) is a worldwide organization for standardization comprising all national electrotechnical committees (IEC National Committees). The object of IEC is to promote international co-operation on all questions concerning standardization in the electrical and electronic fields. To this end and in addition to other activities, IEC publishes International Standards, Technical Specifications, Technical Reports, Publicly Available Specifications (PAS) and Guides (hereafter referred to as “IEC Publication(s)”). Their preparation is entrusted to technical committees; any IEC National Committee interested in the subject dealt with may participate in this preparatory work. International, governmental and non-governmental organizations liaising with the IEC also participate in this preparation. IEC collaborates closely with the International Organization for Standardization (ISO) in accordance with conditions determined by agreement between the two organizations.
- 2) The formal decisions or agreements of IEC on technical matters express, as nearly as possible, an international consensus of opinion on the relevant subjects since each technical committee has representation from all interested IEC National Committees.
- 3) IEC Publications have the form of recommendations for international use and are accepted by IEC National Committees in that sense. While all reasonable efforts are made to ensure that the technical content of IEC Publications is accurate, IEC cannot be held responsible for the way in which they are used or for any misinterpretation by any end user.
- 4) In order to promote international uniformity, IEC National Committees undertake to apply IEC Publications transparently to the maximum extent possible in their national and regional publications. Any divergence between any IEC Publication and the corresponding national or regional publication shall be clearly indicated in the latter.
- 5) IEC itself does not provide any attestation of conformity. Independent certification bodies provide conformity assessment services and, in some areas, access to IEC marks of conformity. IEC is not responsible for any services carried out by independent certification bodies.
- 6) All users should ensure that they have the latest edition of this publication.
- 7) No liability shall attach to IEC or its directors, employees, servants or agents including individual experts and members of its technical committees and IEC National Committees for any personal injury, property damage or other damage of any nature whatsoever, whether direct or indirect, or for costs (including legal fees) and expenses arising out of the publication, use of, or reliance upon, this IEC Publication or any other IEC Publications.
- 8) Attention is drawn to the Normative references cited in this publication. Use of the referenced publications is indispensable for the correct application of this publication.
- 9) IEC draws attention to the possibility that the implementation of this document may involve the use of (a) patent(s). IEC takes no position concerning the evidence, validity or applicability of any claimed patent rights in respect thereof. As of the date of publication of this document, IEC had not received notice of (a) patent(s), which may be required to implement this document. However, implementers are cautioned that this may not represent the latest information, which may be obtained from the patent database available at <https://patents.iec.ch>. IEC shall not be held responsible for identifying any or all such patent rights.

IEC 62561-4 has been prepared by IEC technical committee 81: Lightning protection. It is an International Standard.

This third edition cancels and replaces the second edition published in 2017. This edition constitutes a technical revision.

This edition includes the following significant technical changes with respect to the previous edition:

- a) alignment with the latest edition of ISO IEC 60068-2-52:2017 relating to salt mist atmosphere treatment;
- b) alignment with the new edition of ISO 22479:2019 relating to humid sulphurous atmosphere treatment;
- c) new normative annex for the applicability of previous tests.

The text of this International Standard is based on the following documents:

Draft	Report on voting
81/734/FDIS	81/740/RVD

Full information on the voting for its approval can be found in the report on voting indicated in the above table.

The language used for the development of this International Standard is English.

This document was drafted in accordance with ISO/IEC Directives, Part 2, and developed in accordance with ISO/IEC Directives, Part 1 and ISO/IEC Directives, IEC Supplement, available at www.iec.ch/members_experts/refdocs. The main document types developed by IEC are described in greater detail at www.iec.ch/publications.

A list of all the parts in the IEC 62561 series, published under the general title *Lightning protection system components (LPSC)*, can be found on the IEC website.

The committee has decided that the contents of this document will remain unchanged until the stability date indicated on the IEC website under webstore.iec.ch in the data related to the specific document. At this date, the document will be

- reconfirmed,
- withdrawn, or
- revised.

INTRODUCTION

This part of IEC 62561 deals with the requirements and tests for lightning protection system components (LPSC), specifically conductor fasteners used for the installation of a lightning protection system (LPS) designed and implemented in accordance with the IEC 62305 series.

LIGHTNING PROTECTION SYSTEM COMPONENTS (LPSC) –

Part 4: Requirements for conductor fasteners

1 Scope

This part of IEC 62561 deals with the requirements and tests for metallic and non-metallic conductor fasteners that are used to retain and support the air-termination, down-conductor and earth-termination systems.

This document does not cover the fixing of conductor fasteners to the fabric of structures due to the vast number and types used in modern day construction.

Testing of components for an explosive atmosphere is not covered by this document. Extra requirements for the components can be necessary for LSCs intended for use in hazardous atmospheres.

NOTE In CENELEC member countries, testing requirements of components for explosive atmospheres are specified in CLC/TS 50703-2.

2 Normative references

The following documents are referred to in the text in such a way that some or all of their content constitutes requirements of this document. For dated references, only the edition cited applies. For undated references, the latest edition of the referenced document (including any amendments) applies.

IEC 60068-2-52:2017, *Environmental testing – Part 2-52: Tests – Test Kb: Salt mist, cyclic (sodium chloride solution)*

IEC 60068-2-75:2014, *Environmental testing – Part 2: Tests – Test Eh: Hammer tests*

IEC 62305-3:2010, *Protection against lightning – Part 3: Physical damage to structures and life hazard*

IEC 62561-1, *Lightning protection system components (LPSC) – Part 1: Requirements for connection components*

ISO 4892-2, *Plastics – Methods of exposure to laboratory light sources – Part 2: Xenon – arc lamps*

ISO 4892-3:2016, *Plastics – Methods of exposure to laboratory light sources – Part 3: Fluorescent UV lamps*

ISO 4892-4, *Plastics – Methods of exposure to laboratory light sources – Part 4: Open-flame carbon-arc lamps*

ISO 6957:1988, *Copper alloys – Ammonia test for stress corrosion resistance*

ISO 22479:2019, *Corrosion of metals and alloys – Sulfur dioxide test in a humid atmosphere (fixed gas method)*

3 Terms and definitions

For the purposes of this document, the following terms and definitions apply.

ISO and IEC maintain terminology databases for use in standardization at the following addresses:

- IEC Electropedia: available at <https://www.electropedia.org/>
- ISO Online browsing platform: available at <https://www.iso.org/obp>

3.1

conductor fastener

metallic, non-metallic or composite component designed to retain and support the air-termination, down-conductor and earth-termination systems, installed at intervals along the length of the conductors

3.2

composite fastener

mixture of metallic and non-metallic materials, for example plastic

3.3

type test

test made before supplying a type of material covered by IEC 62561-4 on a general commercial basis, in order to demonstrate satisfactory performance characteristics to meet the intended application

4 Classification

4.1 According to the material of the conductor fastener

- a) metallic (e.g. hot dip galvanized steel, copper, aluminium, stainless steel);
- b) non-metallic (e.g. PVC, plastics);
- c) composite (combination of metal and non-metallic).

If a metallic conductor fastener is used for bonding of two metallic parts of the external LPS it becomes a connection component and shall comply with testing requirements in accordance with IEC 62561-1.

4.2 According to the fixing arrangement of the conductor within the conductor fastener

- a) with screws;
- b) without screws (e.g. clips, springs).

4.3 According to the conductor clamping arrangement

- a) conductor fasteners that are designed to clamp the conductor;
- b) conductor fasteners that are designed to clamp but allow axial movement of the conductor.

5 Requirements

5.1 General

The conductor fastener shall carry out its function of clamping the conductor in an acceptable and safe manner when subjected to mechanical influences, lightning discharge stress and environmental influences.

Conductor fasteners shall comply with the tests given in Clause 6. The material of the conductor fastener shall be compatible with the conductor it is fastening and the surface material onto which it is mounted.

NOTE 1 Certain extreme environmental conditions make the choice of non-metallic conductor fasteners unsuitable. Specific recommendations are provided by manufacturers as to their suitability in varying environments.

NOTE 2 Conductor fasteners are so designed and constructed that safe handling is ensured, that retention and support for the conductor is provided, and that in normal use their performance is reliable and without danger to persons and the surroundings.

5.2 Environmental requirements

5.2.1 Corrosion resistance

Metallic or composite conductor fasteners shall withstand corrosion effects.

Compliance is checked for metallic fasteners by the test specified in 6.3.2 or for composite fasteners by the tests described in 6.3.4.

5.2.2 Ultraviolet (UV) light resistance

Non-metallic and composite conductor fasteners shall withstand UV light effects.

Compliance is checked for non-metallic fasteners by the tests specified in 6.3.3 or for composite fasteners by the tests specified in 6.3.4.

5.3 Mechanical strength

5.3.1 Perpendicular and axial loads

The design of the conductor fastener shall be such that it carries the perpendicular loads caused by the weight of the conductor, snow, ice and wind and axial loads caused by the thermal expansion–contraction of the conductor and its weight.

Compliance is checked following the manufacturer's declaration for the classification of the conductor fastener in accordance with Clause 4 and by the tests specified in 6.4.1 and 6.4.2.

5.3.2 Impact tests

Conductor fasteners shall be so designed and constructed to withstand impact stresses caused accidentally.

Compliance is checked by the tests specified in 6.4.3.

5.4 Installation instructions

The manufacturer or supplier of the conductor fastener shall provide adequate information in its literature to ensure that the installer shall select and install the component in accordance with 62305-3:2010, 5.5.2 and manufacturer's instructions, containing at least the following information:

- a) classifications according to Clause 4;
- b) maximum and minimum conductor diameter;
- c) materials of conductors to be used;
- d) type of mounting surface to be used;
- e) recommended method of assembly, installation and fixing to the mounting surface;
- f) lateral load;
- g) axial movement load.

Compliance is checked by inspection in accordance with 6.5.

5.5 Marking

5.5.1 Content of marking

Each conductor fastener shall be marked with:

- a) the manufacturer's or responsible vendor's name, logo or trademark,
- b) product identification or type.

Where it is not possible to make these marks directly onto the product, they shall be made on the smallest supplied packaging.

Compliance is checked in accordance with 6.6.

Where this proves to be impractical, the marking in accordance with a) and b) may be given on the smallest packing unit label or on the accompanying documentation.

NOTE 1 Marking can be applied for example by moulding, pressing, engraving, printing and environmental stress adhesive labels.

NOTE 2 Marking can be applied by water slide transfers for components installed indoors only.

5.5.2 Durability and legibility

The marking shall be durable and legible.

Compliance is checked in accordance with 6.6.

6 Tests

6.1 General test conditions

The tests in accordance with this document are type tests (see 3.3), performed in a sequence according to Annex D. These tests are of such a nature that, after they have been performed, unless changes are made to the accessory materials, design or type of manufacturing process which can change the performance characteristics, repeated testing is not required.

The present document cannot cover all possible types of conductor fasteners and the way of fixing them on various surfaces of different materials. When required for these applications, agreement should be obtained between the test engineer and manufacturer on the specific testing regime.

Unless otherwise specified, tests are carried out with the specimens assembled and installed as in normal use as specified in the manufacturer's or supplier's instructions, with the recommended conductor materials, sizes and the tightening torque.

The tests shall be carried out in the sequence given after environmental tests of the specimen in accordance with 6.3.

Unless otherwise specified, 12 metallic or 18 composite/non-metallic specimens are subjected to the tests and the requirements are satisfied if all the tests criteria are met.

If only one of the specimens fails to satisfy a test due to a manufacturing fault, that test and any preceding one which can have influenced the results of the test shall be repeated. The tests which follow shall be made in the same required sequence on another full set of samples, all of which shall comply with the requirements.

The applicant, when submitting the first set of samples, may also submit an additional set of samples that can be necessary should one sample fail. The testing laboratory shall then, without further request, test the additional set of samples, and shall only reject if a further failure occurs. If the additional set of samples is not submitted at the same time, a failure of one sample shall entail rejection.

Tests for non-metallic conductor fasteners shall not commence earlier than 168 h from the time of their manufacturing.

A torque meter shall be used for all tightening operations. It shall have a resolution of at least 0,5 Nm with an accuracy of ± 4 % or less. The applicable tolerance for any applied mechanical load shall be within ± 5 %.

For products already successfully tested in accordance with IEC 62561-4:2010 or IEC 62561-4:2017 the applicability of previous tests according to Annex C, Table C.1, may be applied.

For new products, complete type tests and samples according to Clause 6 are required.

6.2 Preparation of the specimen

If not otherwise specified by the manufacturer, the conductors and specimens shall be cleaned by using a suitable degreasing agent followed by cleaning in demineralized water and drying. They shall then be assembled in accordance with the manufacturer's installation instructions, for example with the recommended conductors and the tightening torques.

The tightening torque should be applied in a steady and uniform manner.

Any conductor fastener accommodating conductors with differences in size (diameter, thickness and width) equal to or less than 2 mm shall be tested using the minimum conductor size recommended. If the range is greater than 2 mm, the conductor fastener shall be tested using the minimum and maximum of conductor sizes.

6.3 Environmental influence test

6.3.1 General

In order for a conductor fastener to meet the requirements of this document, environmental tests shall be carried out in accordance with Annex A for metallic and composite conductor fasteners or Annex B for non-metallic and composite conductor fasteners.

The selection of the tests to be performed depends upon the conductor fastener material.

Annex D provides a flow chart relating the tests identified in 6.3.2, 6.3.3 and 6.3.4 to the conductor fastener material.

NOTE The sequence of performing the UV test prior to the salt mist test for composite fasteners is due to the fact that during the salt mist test the specimen is covered by a salt layer. This would inhibit the UV exposure test.

6.3.2 Metallic

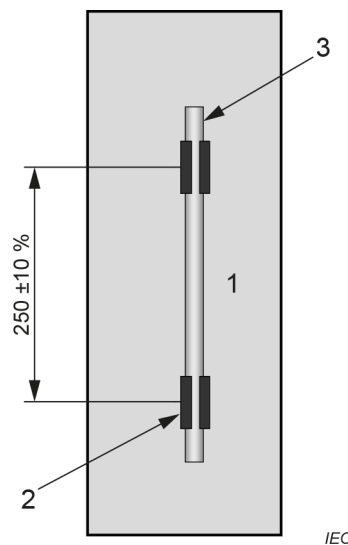
Two sets, each one consisting of three arrangements, shall be assembled and mounted rigidly on an insulating plate (e.g. brick, polytetrafluoroethylene (PTFE)) as shown in Figure 1 in accordance with the manufacturer's installation instructions, for example with the recommended conductors and the tightening torques for screwed fastening conductor fasteners.

The arrangements of specimens shall be subjected to environmental influence tests consisting of a salt mist test as specified in Clause A.2 followed by a humid sulphurous atmosphere test as specified in Clause A.3. An additional test by an ammonia atmosphere as specified in Clause A.4, shall be carried out for conductor fasteners made of copper alloys with copper content of less than 80 %.

The specimens are deemed to have passed the tests if there are no signs of corrosive deterioration of the conductor or conductor fastener visible to normal or corrected vision.

NOTE White rust, patina and surface oxidation are not considered to be corrosive deterioration.

Dimensions in millimetres



Key

- 1 mounting plate
- 2 fastener
- 3 conductor

Figure 1 – Basic arrangement of specimens

6.3.3 Non-metallic

Three sets, each one consisting of three arrangements, shall be assembled and mounted rigidly on an insulating plate (e.g. brick, polytetrafluoroethylene (PTFE)) as shown in Figure 1 in accordance with the manufacturer’s installation instructions, for example with the recommended conductors and the tightening torques for screwed fastening conductor fasteners.

The arrangements of specimens shall be subjected to an environmental test consisting of an ultraviolet light test as specified in Annex B.

The specimens are deemed to have passed this part of the test if there are no signs of disintegration and no cracks visible to normal or corrected vision.

Ensure that the surface of the mounting plate is suitable to resist UV radiation.

6.3.4 Composite

Three sets, each one consisting of three arrangements, shall be assembled and mounted on a rigid surface (e.g., brick, polytetrafluoroethylene (PTFE)) as shown in Figure 1 in accordance with the manufacturer’s installation instructions, for example with the recommended conductors and the tightening torques for screwed fastening conductor fasteners.

The arrangement of specimens shall be subjected to the environmental tests in the following sequence:

- test in accordance with 6.3.3, and
- test in accordance with 6.3.2.

The specimens are deemed to have passed this part of the test if the base metal of their metal parts does not exhibit any corrosive deterioration and if their non-metallic parts show no sign of disintegration and no cracks visible to normal or corrected vision.

Ensure that the surface of the mounting plate is suitable to resist UV radiation.

NOTE White rust, patina and surface oxidation are not considered to be corrosive deterioration.

6.4 Resistance to mechanical effects

6.4.1 Lateral load test

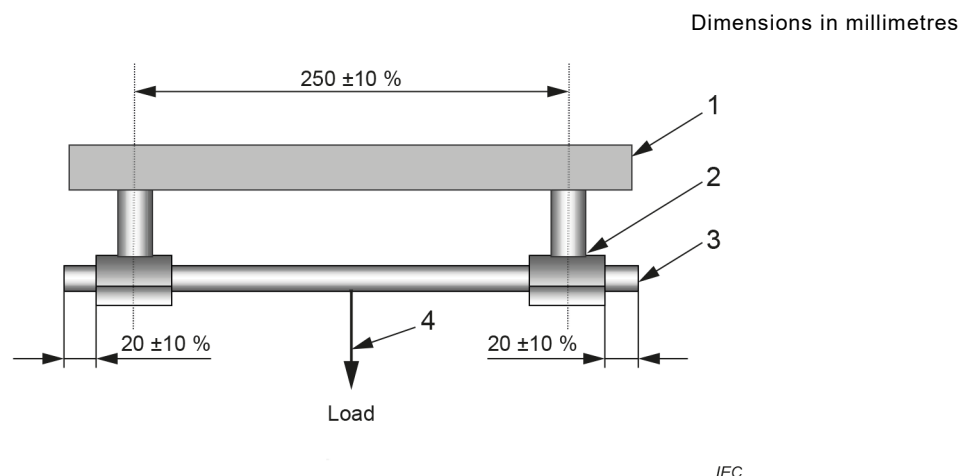
After the test of 6.3 a first set of three arrangements of specimens is subjected to a load test of 200 N applied in the mid-distance between the conductor fasteners as illustrated in Figure 2.

The test shall be performed using a stainless steel conductor with the appropriate dimensions.

For metallic conductor fasteners, the full test load is applied for minimum of 5 min and for composite and non-metallic conductor fasteners, the full test load is applied for a minimum period of 60 min.

All tests are carried out at a temperature of $-10\text{ °C} \pm 1\text{ K}$ and repeated at a temperature of $+40\text{ °C} \pm 4\text{ K}$.

The specimens are deemed to have passed the tests provided that the conductor fasteners remain intact and the conductor is still located within the conductor fasteners.



Key

- 1 mounting plate
- 2 fastener
- 3 conductor
- 4 load

Figure 2 – Basic arrangement of lateral load test

6.4.2 Axial load test

This test is only applicable to conductor fasteners classified according to 4.3 a).

After the test of 6.3 the second set of three arrangements is subjected to a load test of 50 N applied as shown in Figure 3.

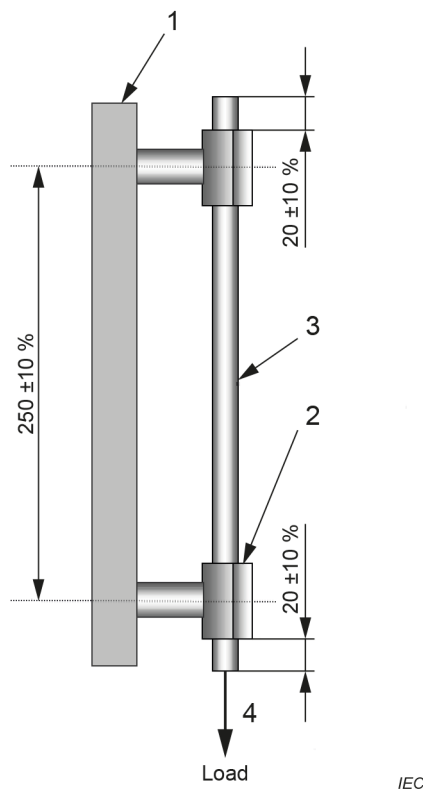
The test shall be performed using the conductors designated by the manufacturer for the conductor fastener.

For metallic conductor fasteners, the full test load is applied for minimum of 5 min, and for composite and non-metallic conductor fasteners, the full test load is applied for a minimum period of 60 min.

All tests are carried out at a temperature of $-10\text{ °C} \pm 1\text{ K}$ and repeated at a temperature of $+40\text{ °C} \pm 4\text{ K}$.

The specimens are deemed to have passed the tests provided the conductor fasteners remain intact and the displacement of the conductor with respect to the conductor fasteners is not more than 3 mm.

Dimensions in millimetres



Key

- 1 mounting plate
- 2 fastener
- 3 conductor
- 4 load

Figure 3 – Typical arrangement for axial movement test

6.4.3 Impact test

This test is carried out on non-metallic and composite conductor fasteners.

After the test of 6.3 the third set of three arrangements is subjected to an impact test.

Each arrangement of specimens shall be mounted on an impact test apparatus as described in IEC 60068-2-75:2014, Clause 4, and shown in IEC 60068-2-75:2014, Figure D.1. The impact test apparatus shall be mounted on a solid wall or structure providing sufficient support for the test apparatus.

The arrangement of specimens is placed in a cabinet at a temperature of $-5\text{ °C} \pm 1\text{ K}$. After 2 h, the arrangement is removed from the cabinet and immediately placed in position in the impact test apparatus.

After removal of the arrangement from the cabinet, and after a period of $12\text{ s} \pm 2\text{ s}$, the hammer is allowed to fall (2 J, 0,5 kg, 400 mm as specified in IEC 60068-2-75:2014, Table 2) so that three impacts are applied as far as possible perpendicularly to the length of the arrangement.

The first impact should be to the left conductor fastener, the second to the other conductor fastener and the third to the middle length of the arrangement.

Instead of placing the arrangements in a cabinet and applying the impact at $12\text{ s} \pm 2\text{ s}$ after the removal of the sample from the cabinet, the impact may be applied in a climatic chamber at a temperature of $-5\text{ °C} \pm 1\text{ K}$ on samples placed at this temperature for at least 2 h prior to testing. Compliance in the climatic chamber is sufficient.

After the test, the specimens shall show no cracks or similar damage visible to normal or corrected vision without magnification and the conductor shall remain located within the conductor fasteners.

6.5 Installation instructions

6.5.1 General conditions

The content of the installation instructions is checked as per its completeness by review.

6.5.2 Acceptance criteria

Documentation and installation instructions are deemed to be acceptable if they contain the information given in 5.4.

6.6 Marking test

6.6.1 General test conditions

The marking is checked:

- a) according to its completeness by review;
- b) according to its durability or legibility by rubbing it by hand for 15 s with a piece of cloth soaked with water and again for 15 s with a piece of cloth soaked with white spirit or mineral spirit.

Marking made by moulding, pressing or engraving is not subjected to this test.

6.6.2 Acceptance criteria

The specimen is deemed to have passed the test if:

- a) the marking contains all the information of 5.5.1;
- b) after the test in 6.6.1 the marking remains durable and legible to normal or correction vision without magnification.

6.7 Construction

The surface of the conductor fastener shall be free from burrs from any cutting process, flash, moulding joint deformation and similar inconsistencies which are likely to damage the conductors or inflict injury to the installer or user.

Compliance is checked by visual and manual inspection.

7 Electromagnetic compatibility (EMC)

Products covered by this document are, in normal use, passive with respect to electromagnetic influences (emission and immunity).

8 Structure and content of the test report

8.1 General

The purpose of Clause 8 is to provide general requirements for laboratory test reports. It is intended to promote clear, complete reporting procedures for laboratories submitting test reports.

The results of each test carried out by the testing laboratory shall be reported accurately, clearly, unambiguously and objectively, in accordance with any instructions in the test methods. The results shall be reported in a test report and shall include all the information necessary for the interpretation of the test results and all information required by the method used.

The report shall be arranged and presented in such a way that it is easily assimilated by the reader, especially with regards to presentation of the test data. The format shall be specifically designed for each type of test carried out, but the headings shall be standardized as indicated below.

The structure of each report shall include at least the information specified in 8.2 to 8.10.

8.2 Report identification

The following information shall be included in the report:

- a) a title or subject of the report;
- b) name and e-mail address or telephone number of the testing laboratory;
- c) name, address and telephone number of the sub-testing laboratory where the test was carried out if different from the company which has been assigned to perform the test;
- d) unique identification number (or serial number) of the test report;
- e) name and address of the vendor;
- f) pagination and the total number of pages indicated on each page, including appendices or annexes;
- g) date of issue of the report;
- h) date(s) test(s) was (were) performed;
- i) signature and title, or an equivalent identification of the person(s) authorized by the testing laboratory to attest the content of the report;
- j) signature and title of person(s) conducting the test(s);

- k) the following declaration in order to avoid misuse. “This type test report shall not be reproduced other than in full, except with the prior written approval of the issuing testing laboratory. This type test report only covers the samples submitted for test and does not produce evidence of the quality for series production”.

8.3 Specimen description

- a) sample description;
- b) detailed description and unambiguous identification of the test sample or test assembly, or both, for example part number, type, classification, material, dimensions;
- c) functional parts and accessories description (e.g. screws, nuts, washers, quantity, material, etc.);
- d) manufacturing method (e.g. cast, hot forged, cold deformed, pressing, die casting etc.);
- e) characterization and condition of the test sample and test assembly.
- f) sampling procedure, where relevant;
- g) date of receipt of test samples;
- h) photographs, drawings or any other visual documentation, if available.

8.4 Conductor

- a) conductor material;
- b) nominal cross-sectional area, dimensions and shape. It is recommended that the actual cross-sectional area should also be given.

8.5 Standards and references

- a) identification of the test standard used and the date of issue of the standard;
- b) reference to this document shall only be made if the full set of tests is performed and reported, except where the deviations are clearly justified in 8.6 b);
- c) other relevant documentation with the documentation date.

8.6 Test procedure

- a) description of the test procedure;
- b) justification for any deviations from, additions to or exclusions from the referenced standard;
- c) any other information relevant to a specific test such as environmental conditions;
- d) configuration of testing assembly and measuring set up;
- e) location of the arrangement in the testing area and measuring techniques.

8.7 Testing equipment, description

Description of equipment used for every test conducted, for example generators, conditioning or ageing devices.

8.8 Measuring instruments description

Characteristics and calibration date of all instruments used for measuring the values specified in this document, for example ohmmeters, torque meters.

8.9 Results and parameters recorded

- a) the required passing criteria for each test, defined in the standard;
- b) the relevant measured, observed or derived results of the tests;
- c) test results of fasteners operating as connection components, as per 4.1 (ohmic resistance, tightening and loosening torques).

The above shall be presented by means of tables, graphs, drawings, photographs or other documentation of visual observations as appropriate.

8.10 Statement of pass and fail

A statement of pass and fail is necessary, identifying (in case of failure) the part of the test for which the specimen has failed and also a description of the failure.

Annex A

(normative)

Resistance to corrosion for metallic and composite conductor fasteners

A.1 General

The resistance to corrosion test consists of a salt mist treatment as specified in Clause A.2, followed by a humid sulphurous atmosphere treatment as specified in Clause A.3 and an additional ammonia atmosphere treatment as specified in Clause A.4 for specimens where any component part is made of copper alloy with copper content of less than 80 %.

The manufacturer or supplier shall provide proof of the copper content of any part of the assembly made from an alloy of copper.

A.2 Salt mist treatment

The salt mist treatment shall be in accordance with IEC 60068-2-52:2017 except for Clause 7, Clause 10 and Clause 11 which are not applicable. The test is carried out using severity (2).

If the salt mist chamber can maintain the temperature conditions as specified in IEC 60068-2-52:2017, 9.3, and a relative humidity of not less than 90 % then the specimen can remain in the chamber for the humidity storage period.

A.3 Humid sulphurous atmosphere treatment

The humid sulphurous atmosphere treatment shall be in accordance with ISO 22479:2019 Method B with 7 cycles with a sulphur dioxide content of 0,2 l (at 300 ± 10) l of capacity, except for Clause 9 and Clause 10 which are not applicable.

Each cycle which has a duration of 24 h is composed of a heating period of 8 h at a temperature of $40 \text{ °C} \pm 3 \text{ K}$ in the humid saturated atmosphere, which is followed by a rest period of 16 h. After that, the humid sulphurous atmosphere is replaced.

If the test chamber maintains the temperature conditions as specified in ISO 22479:2019, 8.5, then the specimen can remain in the chamber for the storage period.

A.4 Ammonia atmosphere treatment

The ammonia atmosphere treatment shall be in accordance with ISO 6957:1988 for a moderate atmosphere with a pH value of 10 except for 8.4 and Clause 9, which are not applicable.

Annex B

(normative)

Environmental test for non-metallic and composite conductor fasteners – Resistance to ultraviolet light

B.1 General

A set of samples shall be subjected to ultraviolet light conditioning specified in Clause B.2, Clause B.3, or Clause B.4. All sets tested are considered representative of the material's entire colour range.

Samples shall be mounted on the inside of the cylinder in the ultraviolet light apparatus so that the samples do not touch each other and shall be positioned in such a way that their surface is exposed perpendicularly to the light source.

B.2 Test

The specimens shall be exposed for $(1\,000 \pm 1)$ h to a xenon arc, Method A, in accordance with ISO 4892-2. Continuous exposure to light and intermittent exposure to water spray, with a programmed cycle of (120 ± 1) min consisting of a (102 ± 1) min light exposure and a (18 ± 1) min exposure to water spray with light, shall be used. The apparatus shall operate with a water-cooled xenon-arc lamp, borosilicate glass inner and outer optical filters, a spectral irradiance of $0,35 \text{ W} \times \text{m}^{-2} \times \text{nm}^{-1}$ at 340 nm, and a black panel temperature of $65 \text{ }^\circ\text{C} \pm 3 \text{ K}$. The temperature of the chamber shall be $45 \text{ }^\circ\text{C} \pm 5 \text{ K}$. The relative humidity in the chamber shall be $(50 \pm 5) \%$.

B.3 First alternative test to Clause B.2

The specimens shall be exposed for (720 ± 1) h to open-flame sunshine carbon-arc, in accordance with ISO 4892-4. Continuous exposure to light and intermittent exposure to water spray, with a programmed cycle of (120 ± 1) min consisting of a (102 ± 1) min light exposure and an 18 min exposure to water spray with light, shall be used. The apparatus shall operate with an open-flame sunshine carbon-arc lamp, borosilicate glass type 1 inner and outer optical filters, a spectral irradiance of $0,35 \text{ W} \times \text{m}^{-2} \times \text{nm}^{-1}$ at 340 nm, and a black panel temperature of $63 \text{ }^\circ\text{C} \pm 3 \text{ K}$. The temperature of the chamber shall be $45 \text{ }^\circ\text{C} \pm 5 \text{ K}$ with a relative humidity of $(50 \pm 5) \%$.

B.4 Second alternative test to Clause B.2

The specimens shall be exposed for total irradiation energy equal to the values given in Clause B.2, to fluorescent UV light in accordance with ISO 4892-3. The exposure conditions shall be by continuous exposure to light and intermittent exposure to water spray, with a programmed cycle of (360 ± 1) min light exposure and (60 ± 1) min exposure to water spray with light as described in Method A, cycle 3, of ISO 4892-3:2016, Table 4.

Annex C (normative)

Applicability of previous tests

For conductor fasteners already successfully tested in accordance with IEC 62561-4:2010 or IEC 62561-4:2017, differences between versions in the test procedures identified in Table C.1, are not considered significant enough to warrant the re-testing of the product to meet the requirements of IEC 62561-4:2023.

It is not necessary to repeat tests when the manufacturer of that product clearly states that their product meets all the following requirements:

- there is no change in the classification of the product since it was successfully tested;
- there is no change in the method of manufacture of the product since it was successfully tested;
- there is no change in the design of the product since it was successfully tested;
- there is no change in the materials used in the product since it was successfully tested.

For new products, complete type tests according to this document shall be performed.

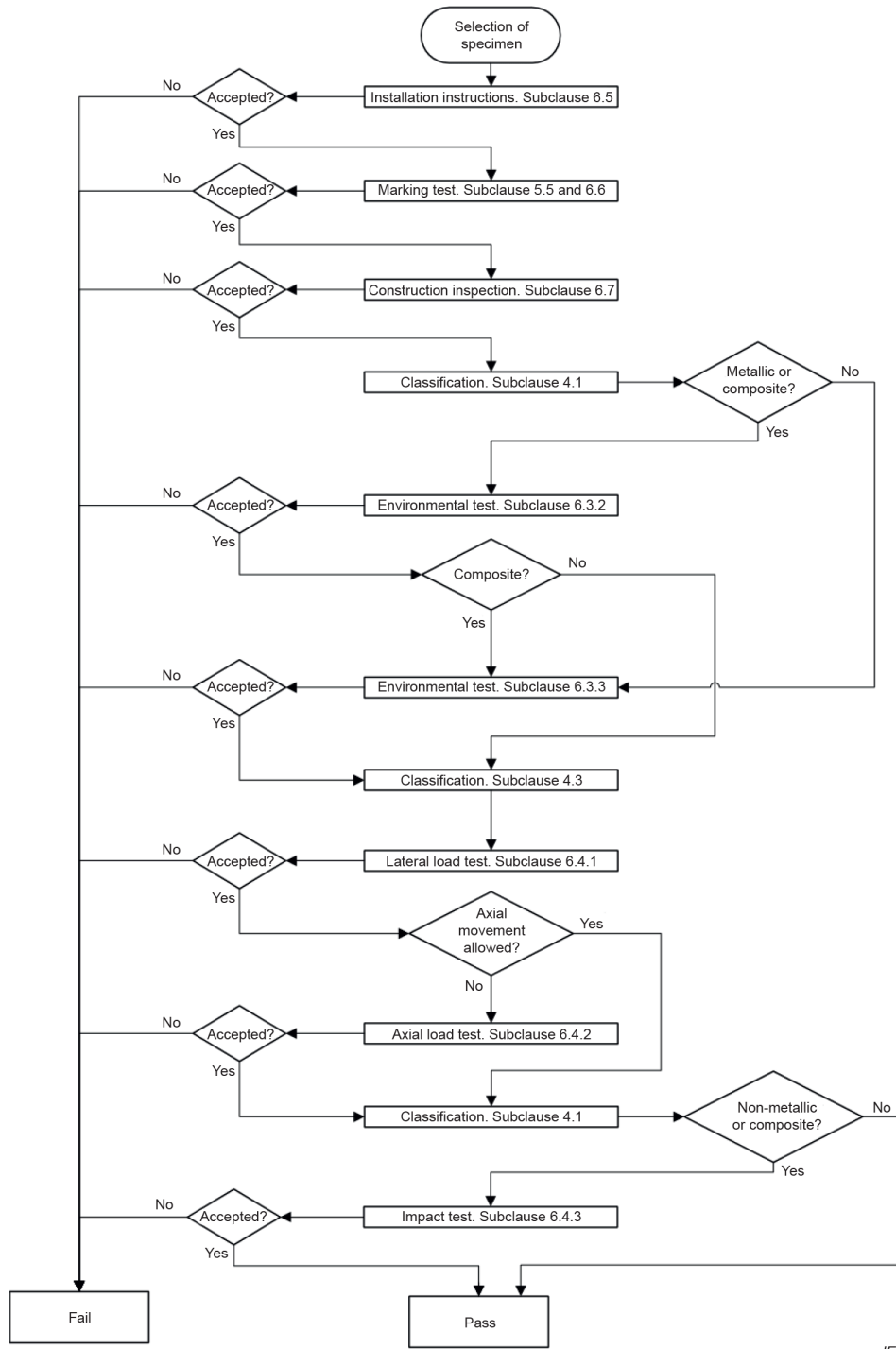
**Table C.1 – Differences in the requirements for conductor fasteners
complying with IEC 62561-4:2010 or 62561-4:2017**

Test description	IEC 62561-4:2010	IEC 62561-4:2017	Re-testing required
Salt mist test or treatment	A.1	A.2	No
Humid sulphurous atmosphere test or treatment	A.2	A.3	No
Ammonia atmosphere test or treatment	A.3	A.4	No
Xenon arc UV light test	B.2	B.2	No
Open-flame sunshine carbon-arc	B.3	B.3	No
Fluorescent UV light test	B.4	B.4	No
Lateral load test	6.4.1	6.4.1	No
Axial load test	6.4.2	6.4.2	No
Impact load test	6.4.3	6.4.3	No

Annex D (normative)

Flow chart of tests for conductor fastener

See Figure D.1.



IEC

Figure D.1 – Flowchart of tests for conductor fastener

Bibliography

- [1] IEC 62305-1, *Protection against lightning – Part 1: General principles*
 - [2] CLC/TS 50703-2, *Lightning Protection System Components (LPSC) – Part 2: Specific testing requirements for LPS components used in explosive atmospheres*
 - [3] IEC 62305-4, *Protection against lightning – Part 4: Electrical and electronic systems within structures*
 - [4] IEC 62305 (all parts), *Protection against lightning*
 - [5] IEC 62561-4:2010, *Lightning protection system components (LPSC) – Part 4: Requirements for conductor fasteners*
 - [6] IEC 62561-4:2017, *Lightning protection system components (LPSC) – Part 4: Requirements for conductor fasteners*
-

SOMMAIRE

AVANT-PROPOS	26
INTRODUCTION.....	28
1 Domaine d'application	29
2 Références normatives	29
3 Termes et définitions	30
4 Classification	30
4.1 Selon le matériau de la fixation de conducteur	30
4.2 Selon le moyen de fixation du conducteur à son support	30
4.3 Selon le type de maintien du conducteur	30
5 Exigences.....	31
5.1 Généralités	31
5.2 Exigences environnementales.....	31
5.2.1 Résistance à la corrosion	31
5.2.2 Résistance aux rayonnements ultraviolets (UV)	31
5.3 Résistance mécanique	31
5.3.1 Charges perpendiculaires et axiales	31
5.3.2 Essais d'impact.....	31
5.4 Instructions d'installation.....	32
5.5 Marquage	32
5.5.1 Contenu du marquage	32
5.5.2 Durabilité et lisibilité	32
6 Essais	32
6.1 Conditions générales d'essais.....	32
6.2 Préparation de l'échantillon.....	33
6.3 Essais environnementaux	34
6.3.1 Généralités	34
6.3.2 Fixations métalliques	34
6.3.3 Fixations non métalliques	35
6.3.4 Fixations composites	35
6.4 Résistance aux effets mécaniques	36
6.4.1 Essai de charge latérale	36
6.4.2 Essai de charge axiale.....	37
6.4.3 Essai d'impact	38
6.5 Instructions d'installation.....	38
6.5.1 Conditions générales	38
6.5.2 Critères d'acceptation	38
6.6 Essai du marquage	38
6.6.1 Conditions générales d'essais	38
6.6.2 Critères d'acceptation	39
6.7 Construction	39
7 Compatibilité électromagnétique (CEM).....	39
8 Structure et contenu du rapport d'essai	39
8.1 Généralités	39
8.2 Identification du rapport	39
8.3 Description de l'échantillon	40
8.4 Conducteur	40

8.5	Normes et références.....	40
8.6	Procédure d'essai	40
8.7	Description des équipements d'essai	40
8.8	Description des instruments de mesure.....	40
8.9	Résultats et paramètres enregistrés.....	41
8.10	Déclaration d'acceptation et de refus	41
Annexe A (normative) Essai environnemental pour les fixations de conducteurs métalliques et composites.....		42
A.1	Généralités	42
A.2	Traitement au brouillard salin.....	42
A.3	Traitement en atmosphère humide sulfureuse.....	42
A.4	Traitement en atmosphère ammoniacale.....	42
Annexe B (normative) Essai environnemental pour les fixations de conducteurs non métalliques et composites – Résistance aux rayonnements ultraviolets		43
B.1	Généralités	43
B.2	Essai	43
B.3	Premier essai de substitution à l'Article B.2	43
B.4	Second essai de substitution à l'Article B.2.....	43
Annexe C (normative) Applicabilité d'essais précédents.....		44
Annexe D (normative) Logigramme des essais pour une fixation de conducteur.....		45
Bibliographie.....		46
Figure 1 – Préparation type des échantillons		35
Figure 2 – Préparation type pour l'essai de charge latérale.....		36
Figure 3 – Préparation type pour l'essai de déplacement axial		37
Figure D.1 – Logigramme des essais pour une fixation de conducteur		45
Tableau C.1 – Différences des exigences pour les fixations de conducteur conformes à l'IEC 62561-4:2010 ou à l'IEC 62561-4:2017		44

COMMISSION ÉLECTROTECHNIQUE INTERNATIONALE

COMPOSANTS DES SYSTÈMES DE PROTECTION CONTRE LA Foudre (CSPF) –

Partie 4: Exigences pour les fixations de conducteurs

AVANT-PROPOS

- 1) La Commission Électrotechnique Internationale (IEC) est une organisation mondiale de normalisation composée de l'ensemble des comités électrotechniques nationaux (Comités nationaux de l'IEC). L'IEC a pour objet de favoriser la coopération internationale pour toutes les questions de normalisation dans les domaines de l'électricité et de l'électronique. À cet effet, l'IEC – entre autres activités – publie des Normes internationales, des Spécifications techniques, des Rapports techniques, des Spécifications accessibles au public (PAS) et des Guides (ci-après dénommés "Publication(s) de l'IEC"). Leur élaboration est confiée à des comités d'études, aux travaux desquels tout Comité national intéressé par le sujet traité peut participer. Les organisations internationales, gouvernementales et non gouvernementales, en liaison avec l'IEC, participent également aux travaux. L'IEC collabore étroitement avec l'Organisation Internationale de Normalisation (ISO), selon des conditions fixées par accord entre les deux organisations.
- 2) Les décisions ou accords officiels de l'IEC concernant les questions techniques représentent, dans la mesure du possible, un accord international sur les sujets étudiés, étant donné que les Comités nationaux de l'IEC intéressés sont représentés dans chaque comité d'études.
- 3) Les Publications de l'IEC se présentent sous la forme de recommandations internationales et sont agréées comme telles par les Comités nationaux de l'IEC. Tous les efforts raisonnables sont entrepris afin que l'IEC s'assure de l'exactitude du contenu technique de ses publications; l'IEC ne peut pas être tenue responsable de l'éventuelle mauvaise utilisation ou interprétation qui en est faite par un quelconque utilisateur final.
- 4) Dans le but d'encourager l'uniformité internationale, les Comités nationaux de l'IEC s'engagent, dans toute la mesure possible, à appliquer de façon transparente les Publications de l'IEC dans leurs publications nationales et régionales. Toutes divergences entre toutes Publications de l'IEC et toutes publications nationales ou régionales correspondantes doivent être indiquées en termes clairs dans ces dernières.
- 5) L'IEC elle-même ne fournit aucune attestation de conformité. Des organismes de certification indépendants fournissent des services d'évaluation de conformité et, dans certains secteurs, accèdent aux marques de conformité de l'IEC. L'IEC n'est responsable d'aucun des services effectués par les organismes de certification indépendants.
- 6) Tous les utilisateurs doivent s'assurer qu'ils sont en possession de la dernière édition de cette publication.
- 7) Aucune responsabilité ne doit être imputée à l'IEC, à ses administrateurs, employés, auxiliaires ou mandataires, y compris ses experts particuliers et les membres de ses comités d'études et des Comités nationaux de l'IEC, pour tout préjudice causé en cas de dommages corporels et matériels, ou de tout autre dommage de quelque nature que ce soit, directe ou indirecte, ou pour supporter les coûts (y compris les frais de justice) et les dépenses découlant de la publication ou de l'utilisation de cette Publication de l'IEC ou de toute autre Publication de l'IEC, ou au crédit qui lui est accordé.
- 8) L'attention est attirée sur les références normatives citées dans cette publication. L'utilisation de publications référencées est obligatoire pour une application correcte de la présente publication.
- 9) L'IEC attire l'attention sur le fait que la mise en application du présent document peut entraîner l'utilisation d'un ou de plusieurs brevets. L'IEC ne prend pas position quant à la preuve, à la validité et à l'applicabilité de tout droit de brevet revendiqué à cet égard. À la date de publication du présent document, l'IEC n'avait pas reçu notification qu'un ou plusieurs brevets pouvaient être nécessaires à sa mise en application. Toutefois, il y a lieu d'avertir les responsables de la mise en application du présent document que des informations plus récentes sont susceptibles de figurer dans la base de données de brevets, disponible à l'adresse <https://patents.iec.ch>. L'IEC ne saurait être tenue pour responsable de ne pas avoir identifié de tels droits de brevets.

L'IEC 62561-4 a été établie par le comité d'études 81: Protection contre la foudre. Il s'agit d'une Norme internationale.

Cette troisième édition annule et remplace la deuxième édition parue en 2017. Cette édition constitue une révision technique.

Cette édition inclut les modifications techniques majeures suivantes par rapport à l'édition précédente:

- a) alignement sur la dernière édition de l'ISO IEC 60068-2-52:2017 concernant le traitement en atmosphère au brouillard salin;
- b) alignement sur la nouvelle édition de l'ISO 22479:2019 concernant le traitement en atmosphère sulfureuse humide;
- c) nouvelle annexe normative concernant l'applicabilité d'essais précédents.

Le texte de cette Norme internationale est issu des documents suivants:

Projet	Rapport de vote
81/734/FDIS	81/740/RVD

Le rapport de vote indiqué dans le tableau ci-dessus donne toute information sur le vote ayant abouti à son approbation.

La langue employée pour l'élaboration de cette Norme internationale est l'anglais.

Le présent document a été rédigé selon les Directives ISO/IEC, Partie 2, il a été développé selon les Directives ISO/IEC, Partie 1 et les Directives ISO/IEC, Supplément IEC, disponibles sous www.iec.ch/members_experts/refdocs. Les principaux types de documents développés par l'IEC sont décrits plus en détail sous www.iec.ch/publications.

Une liste de toutes les parties de la série IEC 62561, publiées sous le titre général *Composants des systèmes de protection contre la foudre (CSPF)*, se trouve sur le site web de l'IEC.

Le comité a décidé que le contenu de ce document ne sera pas modifié avant la date de stabilité indiquée sur le site web de l'IEC sous webstore.iec.ch dans les données relatives au document recherché. À cette date, le document sera

- reconduit,
- supprimé, ou
- révisé.

INTRODUCTION

La présente partie de l'IEC 62561 traite des exigences et des essais pour les composants des systèmes de protection contre la foudre (CSPF), en particulier des fixations de conducteurs utilisées pour l'installation d'un système de protection contre la foudre (SPF) conçu et mis en œuvre conformément à la série IEC 62305.

COMPOSANTS DES SYSTÈMES DE PROTECTION CONTRE LA Foudre (CSPF) –

Partie 4: Exigences pour les fixations de conducteurs

1 Domaine d'application

La présente partie de l'IEC 62561 traite des exigences et des essais pour les fixations métalliques et non métalliques de conducteurs utilisées pour maintenir et supporter les dispositifs de capture, les conducteurs de descente et les prises de terre.

Le présent document ne traite pas de la fixation de ces supports sur les structures d'édifice en raison du grand nombre de types de solutions modernes de construction.

Les essais de composants pour atmosphère explosive ne sont pas concernés par le présent document. Des exigences supplémentaires peuvent être nécessaires pour les composants des LSC destinés à être utilisés dans des atmosphères dangereuses.

NOTE Dans les pays membres du CENELEC, les exigences d'essai des composants pour atmosphères explosives sont spécifiées dans la CLC/TS 50703-2.

2 Références normatives

Les documents suivants sont cités dans le texte de sorte qu'ils constituent, pour tout ou partie de leur contenu, des exigences du présent document. Pour les références datées, seule l'édition citée s'applique. Pour les références non datées, la dernière édition du document de référence s'applique (y compris les éventuels amendements).

IEC 60068-2-52:2017, *Essais d'environnement – Partie 2-52: Essais – Essai Kb: Brouillard salin, essai cyclique (solution de chlorure de sodium)*

IEC 60068-2-75:2014, *Essais d'environnement – Partie 2-75: Essais – Essai Eh: Essais au marteau*

IEC 62305-3:2010, *Protection contre la foudre – Partie 3: Dommages physiques sur les structures et risques humains*

IEC 62561-1, *Composants des systèmes de protection contre la foudre (CSPF) – Partie 1: Exigences pour les composants de connexion*

ISO 4892-2, *Plastiques – Méthodes d'exposition à des sources lumineuses de laboratoire – Partie 2: Lampes à arc au xénon*

ISO 4892-3:2016, *Plastiques – Méthodes d'exposition à des sources lumineuses de laboratoire – Partie 3: Lampes fluorescentes UV*

ISO 4892-4, *Plastiques – Méthodes d'exposition à des sources lumineuses de laboratoire – Partie 4: Lampes à arc au carbone*

ISO 6957:1988, *Alliages de cuivre – Essai à l'ammoniaque pour la résistance à la corrosion sous contrainte*

ISO 22479:2019, *Corrosion des métaux et alliages – Essai au dioxyde de soufre en atmosphère humide (méthode avec volume fixe de gaz)*

3 Termes et définitions

Pour les besoins du présent document, les termes et définitions suivants s'appliquent.

L'ISO et l'IEC tiennent à jour des bases de données terminologiques destinées à être utilisées en normalisation, consultables aux adresses suivantes:

- IEC Electropedia: disponible à l'adresse <https://www.electropedia.org/>
- ISO Online browsing platform: disponible à l'adresse <https://www.iso.org/obp>

3.1

fixation de conducteur

composant métallique, non métallique ou composite, utilisé pour fixer et supporter les dispositifs de capture, les conducteurs de descente et les prises de terre, installé à intervalle régulier le long des conducteurs

3.2

fixation composite

mélange de matériaux métalliques et non métalliques, par exemple plastiques

3.3

essai de type

essai réalisé avant la livraison d'un type de matériau concerné par l'IEC 62561-4, sur une base commerciale générale, afin de démontrer que ses caractéristiques de performance satisfont à l'application prévue

4 Classification

4.1 Selon le matériau de la fixation de conducteur

- a) Métallique (acier galvanisé à chaud, cuivre, aluminium, acier inoxydable, par exemple).
- b) Non métallique (PVC, plastique, par exemple).
- c) Composite (combinaison de métalliques et non métalliques).

Si une fixation de conducteur métallique est utilisée pour fixer deux pièces métalliques d'un SPF externe, elle est considérée comme un composant de connexion et doit satisfaire aux exigences d'essai de l'IEC 62561-1.

4.2 Selon le moyen de fixation du conducteur à son support

- a) Par boulons.
- b) Sans boulons (clips, colliers, par exemple).

4.3 Selon le type de maintien du conducteur

- a) Fixations de conducteurs conçues pour emprisonner le conducteur.
- b) Fixations de conducteurs conçues pour emprisonner le conducteur, mais permettre un déplacement axial de ce conducteur.

5 Exigences

5.1 Généralités

La fixation de conducteur doit assurer sa fonction de maintien du conducteur de manière sûre et acceptable lorsque celui-ci est soumis à des contraintes mécaniques, des décharges de courant de foudre et des contraintes environnementales.

Les fixations de conducteurs doivent satisfaire aux essais de l'Article 6. Les matériaux des fixations de conducteurs doivent être compatibles avec ceux des conducteurs à fixer et ceux de la surface de montage.

NOTE 1 Dans certaines conditions environnementales extrêmes, le choix des fixations de conducteurs non métalliques n'est pas adapté. Les fabricants fournissent des recommandations spécifiques quant à leur utilisation dans des environnements variables.

NOTE 2 Les fixations de conducteurs sont conçues et construites de façon à assurer une manipulation sans danger, un maintien et un support corrects pour le conducteur, et des performances fiables et sans danger pour les personnes et l'environnement dans des conditions normales d'utilisation.

5.2 Exigences environnementales

5.2.1 Résistance à la corrosion

Les fixations de conducteurs métalliques ou composites doivent résister aux effets de la corrosion.

La conformité des fixations métalliques est vérifiée par l'essai spécifié en 6.3.2, et la conformité des fixations composites est vérifiée par les essais spécifiés en 6.3.4.

5.2.2 Résistance aux rayonnements ultraviolets (UV)

Les fixations de conducteurs non métalliques et composites doivent résister aux effets des rayonnements ultraviolets (UV).

La conformité des fixations non métalliques est vérifiée par les essais spécifiés en 6.3.3, et la conformité des fixations composites est vérifiée par les essais spécifiés en 6.3.4.

5.3 Résistance mécanique

5.3.1 Charges perpendiculaires et axiales

La conception de la fixation de conducteur doit prendre en compte les charges perpendiculaires dues au poids du conducteur, de la neige, de la glace et du vent, ainsi que les charges axiales dues à la dilatation et à la contraction thermique du conducteur et à son poids.

La conformité est vérifiée selon la classification de la fixation de conducteur déclarée par le fabricant, conformément à l'Article 4, et par les essais spécifiés en 6.4.1 et en 6.4.2.

5.3.2 Essais d'impact

Les fixations de conducteurs doivent être conçues et construites pour résister aux contraintes d'impacts accidentelles.

La conformité est vérifiée par les essais spécifiés en 6.4.3.

5.4 Instructions d'installation

Le fabricant ou le fournisseur de la fixation de conducteur doit fournir dans sa documentation les informations pertinentes afin de s'assurer que l'installateur peut choisir et installer le composant conformément au 5.5.2 de l'IEC 62305-3:2010 et aux instructions du fabricant, qui comportent au moins les informations suivantes:

- a) classifications conformément à l'Article 4;
- b) diamètre maximal et minimal du conducteur;
- c) matériaux de conducteur à employer;
- d) type de surface de montage à employer;
- e) méthode recommandée de montage, d'installation et de fixation sur la surface de montage;
- f) charge latérale;
- g) charge de déplacement axial.

La conformité est vérifiée par examen conformément au 6.5.

5.5 Marquage

5.5.1 Contenu du marquage

Chaque fixation de conducteur doit comporter les marquages suivants:

- a) le nom, le logo ou la marque du fabricant ou du fournisseur responsable;
- b) le type ou l'identification du produit.

Lorsque ces marquages ne peuvent pas être apposés directement sur le produit, ils doivent être réalisés sur l'emballage le plus petit.

La conformité est vérifiée conformément au 6.6.

Lorsque cela n'est pas possible, les marquages a) et b) peuvent être réalisés sur l'étiquette de l'emballage le plus petit ou indiqués dans la documentation jointe.

NOTE 1 Le marquage peut être réalisé, par exemple, par moulage, emboutissage, gravure, impression et au moyen d'étiquettes adhésives adaptées aux contraintes environnementales.

NOTE 2 Le marquage peut être réalisé au moyen de décalcomanies pour les composants installés à l'intérieur uniquement.

5.5.2 Durabilité et lisibilité

Le marquage doit être durable et lisible.

La conformité est vérifiée conformément au 6.6.

6 Essais

6.1 Conditions générales d'essais

Les essais conformes au présent document sont des essais de type (voir 3.3), réalisés dans l'ordre indiqué à l'Annexe D. Ces essais sont de telle nature qu'après avoir été effectués, à moins que des modifications n'aient été introduites dans les matériaux des accessoires, dans la conception ou dans le type de procédé de fabrication, qui peuvent en modifier les caractéristiques de performance, il n'est pas nécessaire de procéder à des répétitions d'essais.

Le présent document ne peut pas couvrir tous les types de fixations de conducteurs et toutes les façons de les fixer sur les surfaces des différents matériaux. Lorsque cela est exigé pour

ces applications, il convient de fixer le protocole d'essai spécifique par accord entre l'ingénieur d'essai et le fabricant.

Sauf spécification contraire, les essais sont effectués avec des échantillons assemblés et installés dans les conditions normales d'utilisation spécifiées dans les instructions du fabricant ou du fournisseur, avec les matériaux de conducteurs, les tailles de conducteurs et le couple de serrage recommandés.

Les essais doivent être effectués dans l'ordre indiqué après les essais environnementaux de l'échantillon conformément au 6.3.

Sauf spécification contraire, les essais sont réalisés sur 12 échantillons métalliques ou 18 échantillons composites/non métalliques, et les exigences sont respectées si tous les critères d'essai sont remplis.

Si un seul des échantillons ne satisfait pas à un essai à cause d'un défaut de fabrication, cet essai et tout autre essai préalable qui peut avoir influencé les résultats de l'essai doivent être répétés. Les essais qui suivent doivent être effectués dans l'ordre exigé sur un autre lot complet d'échantillons, qui doivent tous satisfaire aux exigences.

Le demandeur, lorsqu'il soumet le premier lot d'échantillons, peut aussi soumettre un lot supplémentaire qui peut être nécessaire si un échantillon ne satisfait pas à l'essai. Le laboratoire d'essai doit alors soumettre aux essais, sans demande complémentaire, le lot supplémentaire d'échantillons, et ne doit le refuser que si une nouvelle défaillance se produit. Si le lot supplémentaire d'échantillons n'est pas soumis au même moment, la défaillance d'un échantillon doit entraîner un refus.

Les essais pour les fixations de conducteurs non métalliques ne doivent démarrer qu'au moins 168 h après leur fabrication.

Un contrôleur de couple doit être employé pour toutes les opérations de serrage. Il doit avoir une résolution minimale de 0,5 Nm avec une exactitude de ± 4 % ou meilleure. La tolérance sur toute charge mécanique appliquée doit être de ± 5 %.

Pour les produits qui ont déjà satisfait à l'essai conformément à l'IEC 62561-4:2010 ou à l'IEC 62561-4:2017, l'applicabilité d'essais précédents selon le Tableau C.1 de l'Annexe C peut être utilisée.

Pour les nouveaux produits, des essais de type complets et des échantillons conformes à l'Article 6 sont exigés.

6.2 Préparation de l'échantillon

Sauf spécification contraire du fabricant, les conducteurs et les échantillons doivent être nettoyés en utilisant un dégraissant approprié, puis sont rincés dans une eau déminéralisée et séchés. Ils doivent alors être assemblés conformément aux instructions d'installation du fabricant, par exemple avec les conducteurs et les couples de serrage recommandés.

Il convient d'appliquer les couples de serrage de manière ferme et uniforme.

Chaque fixation de conducteur pouvant recevoir des conducteurs présentant des différences de dimensions (diamètre, épaisseur et largeur) inférieures ou égales à 2 mm doit être soumise à l'essai avec la taille de conducteur minimale recommandée. Si la plage de variation est supérieure à 2 mm, les essais doivent être effectués avec les tailles de conducteurs minimale et maximale.

6.3 Essais environnementaux

6.3.1 Généralités

Afin que la fixation de conducteur soit conforme aux exigences du présent document, les essais environnementaux doivent être effectués conformément à l'Annexe A pour les fixations de conducteurs métalliques et composites ou à l'Annexe B pour les fixations de conducteurs non métalliques et composites.

Le choix des essais à effectuer dépend du matériau de la fixation de conducteur.

L'Annexe D fournit un logigramme qui met en correspondance les essais identifiés en 6.3.2, en 6.3.3 et en 6.3.4 au matériau de la fixation de conducteur.

NOTE La séquence d'essais aux UV est réalisée avant l'essai au brouillard salin pour les fixations composites. En effet, durant l'essai au brouillard salin, l'échantillon est recouvert d'une couche de sel, qui rendrait l'exposition aux UV inopérante.

6.3.2 Fixations métalliques

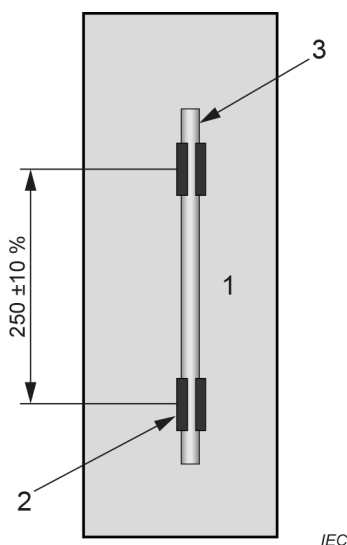
Deux lots, chacun constitué de trois préparations d'échantillons, doivent être assemblés et montés de manière rigide sur une plaque isolante (en brique ou en polytétrafluoroéthylène (PTFE), par exemple) comme cela est représenté à la Figure 1 et conformément aux instructions d'installation du fabricant, par exemple avec les conducteurs recommandés et les couples de serrage pour les fixations de conducteurs boulonnées.

Les préparations d'échantillons doivent être soumises à des essais environnementaux, qui consistent en un essai de brouillard salin comme cela est spécifié à l'Article A.2, suivi par un traitement en atmosphère humide sulfureuse comme cela est spécifié à l'Article A.3. Un essai supplémentaire en atmosphère ammoniacale, comme cela est spécifié à l'Article A.4, doit être réalisé pour les fixations de conducteurs en alliage de cuivre qui présentent un taux de cuivre inférieur à 80 %.

Les échantillons sont considérés comme ayant satisfait aux essais si le conducteur ou la fixation de conducteur ne présente aucun signe de corrosion en vision normale ou corrigée.

NOTE La rouille blanche, la patine et les autres oxydations de surface ne sont pas considérées comme des signes de corrosion.

Dimensions en millimètres

**Légende**

- 1 plaque de montage
- 2 fixation
- 3 conducteur

Figure 1 – Préparation type des échantillons**6.3.3 Fixations non métalliques**

Trois lots, chacun constitué de trois préparations d'échantillons, doivent être assemblés et montés de manière rigide sur une plaque isolante (en brique ou en polytétrafluoroéthylène (PTFE), par exemple) comme cela est représenté à la Figure 1 et conformément aux instructions d'installation du fabricant, par exemple avec les conducteurs recommandés et les couples de serrage pour les fixations de conducteurs boulonnées.

Les préparations d'échantillons doivent être soumises à un essai environnemental qui consiste en un essai aux UV, comme cela est spécifié à l'Annexe B.

Les échantillons sont considérés comme ayant satisfait à cette partie de l'essai s'ils ne présentent aucun signe de dégradation ni aucune fissure détectable en vision normale ou corrigée.

S'assurer que la surface de la plaque de montage est adaptée pour résister aux rayonnements UV.

6.3.4 Fixations composites

Trois lots, chacun constitué de trois préparations d'échantillons, doivent être assemblés et montés sur une surface rigide (en brique ou en polytétrafluoroéthylène (PTFE), par exemple) comme cela est représenté à la Figure 1 et conformément aux instructions d'installation du fabricant, par exemple avec les conducteurs recommandés et les couples de serrage pour les fixations de conducteurs boulonnées.

Les préparations d'échantillons doivent être soumises aux essais environnementaux dans l'ordre suivant:

- essai selon 6.3.3; et
- essai selon 6.3.2.

Les échantillons sont considérés comme ayant satisfait à cette partie de l'essai si le métal de base de leurs pièces métalliques ne présente aucun signe de corrosion et si leurs pièces en non métalliques ne présentent aucun signe de dégradation et aucune fissure en vision normale ou corrigée.

S'assurer que la surface de la plaque de montage est adaptée pour résister aux rayonnements UV.

NOTE La rouille blanche, la patine et les autres oxydations de surface ne sont pas considérées comme des signes de corrosion.

6.4 Résistance aux effets mécaniques

6.4.1 Essai de charge latérale

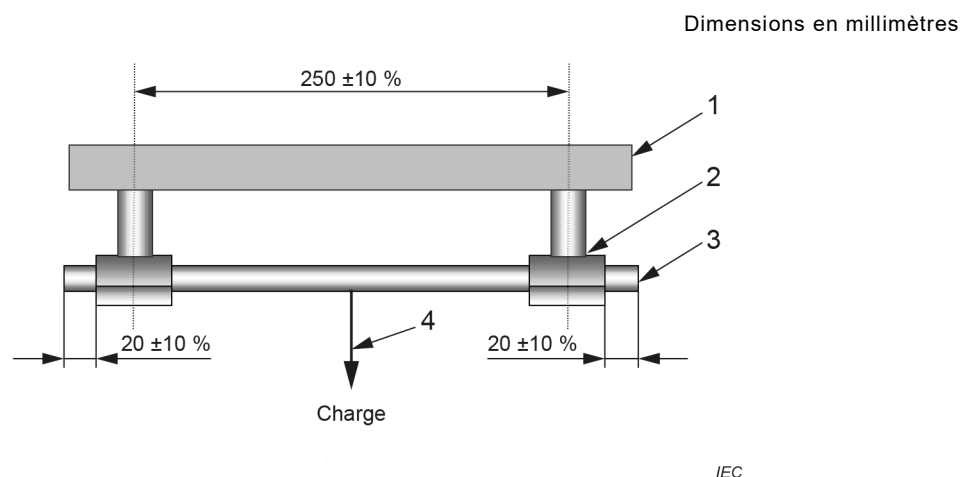
Après l'essai du 6.3, un premier lot de trois préparations d'échantillons est soumis à une charge d'essai de 200 N appliquée à mi-distance entre les fixations de conducteurs, comme cela est représenté à la Figure 2.

L'essai doit être réalisé en utilisant un conducteur en acier inoxydable de dimensions adéquates.

Pour les fixations de conducteurs métalliques, la charge d'essai complète est appliquée pendant 5 min au minimum. Pour les fixations de conducteurs composites ou non métalliques, la charge d'essai complète est appliquée pendant 60 min au minimum.

Tous les essais sont effectués à une température de $-10\text{ °C} \pm 1\text{ K}$ et répétés à une température de $+40\text{ °C} \pm 4\text{ K}$.

Les échantillons sont considérés comme ayant satisfait aux essais si les fixations de conducteurs restent intactes et si le conducteur est toujours maintenu par les fixations de conducteurs.



Légende

- 1 plaque de montage
- 2 fixation
- 3 conducteur
- 4 charge

Figure 2 – Préparation type pour l'essai de charge latérale

6.4.2 Essai de charge axiale

Cet essai ne s'applique qu'aux fixations de conducteurs classées selon 4.3 a).

Après l'essai du 6.3, le second lot de trois préparations est soumis à une charge d'essai de 50 N appliquée, comme cela est représenté à la Figure 3.

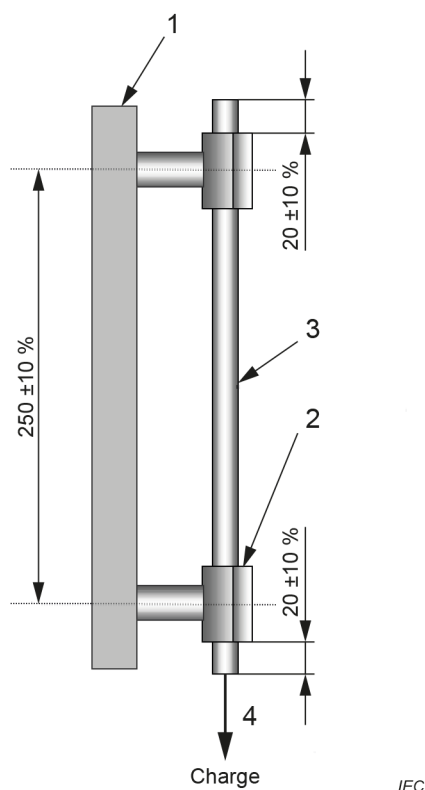
L'essai doit être réalisé en utilisant les conducteurs conçus par le fabricant pour la fixation de conducteur.

Pour les fixations de conducteurs métalliques, la charge d'essai complète est appliquée pendant 5 min au minimum. Pour les fixations de conducteurs composites ou non métalliques, la charge d'essai complète est appliquée pendant 60 min au minimum.

Tous les essais sont effectués à une température de $-10\text{ °C} \pm 1\text{ K}$ et répétés à une température de $+40\text{ °C} \pm 4\text{ K}$.

Les échantillons sont considérés comme ayant satisfait aux essais si les fixations de conducteurs restent intactes et si le déplacement du conducteur par rapport aux fixations est inférieur ou égal à 3 mm.

Dimensions en millimètres



Légende

- 1 plaque de montage
- 2 fixation
- 3 conducteur
- 4 charge

Figure 3 – Préparation type pour l'essai de déplacement axial

6.4.3 Essai d'impact

Cet essai est réalisé sur les fixations de conducteurs composites et non métalliques.

Après l'essai du 6.3, le troisième lot de trois préparations est soumis à un essai d'impact.

Chaque préparation d'échantillons doit être montée sur un appareillage d'essai d'impact, comme cela est décrit à l'Article 4 de l'IEC 60068-2-75:2014 et représenté à la Figure D.1 de l'IEC 60068-2-75:2014. L'appareillage d'essai d'impact doit être installé sur un mur résistant ou une structure qui procure un support suffisant à l'appareillage.

La préparation d'échantillons est placée dans une enceinte à une température de $-5\text{ °C} \pm 1\text{ K}$. Après 2 h, elle est retirée de l'enceinte et placée immédiatement dans l'appareillage d'essai d'impact.

Lorsque la préparation a été retirée de l'enceinte, et après une période de $12\text{ s} \pm 2\text{ s}$, le marteau peut tomber (2 J, 0,5 kg, 400 mm, comme cela est spécifié dans l'IEC 60068-2-75:2014, Tableau 2) de manière à appliquer trois impacts de façon aussi perpendiculaire que possible par rapport à la longueur de la préparation.

Il convient d'appliquer le premier impact sur la fixation de conducteur de gauche, le second sur l'autre fixation de conducteur et le troisième sur le milieu de la préparation.

Au lieu de placer les préparations dans une enceinte et de les soumettre à un impact $12\text{ s} \pm 2\text{ s}$ après avoir retiré les échantillons de l'enceinte, l'impact peut être appliqué dans une enceinte climatique à une température de $-5\text{ °C} \pm 1\text{ K}$ sur les échantillons placés à cette température au moins 2 h avant l'essai. La conformité en enceinte climatique est suffisante.

Après l'essai, les échantillons ne doivent pas présenter de fissures ou de dommages analogues en vision normale ou corrigée sans grossissement et le conducteur doit rester maintenu par les fixations de conducteurs.

6.5 Instructions d'installation

6.5.1 Conditions générales

L'exhaustivité du contenu des instructions d'installation est vérifiée par examen.

6.5.2 Critères d'acceptation

La documentation et les instructions d'installation sont considérées comme étant acceptables si elles contiennent les informations indiquées en 5.4.

6.6 Essai du marquage

6.6.1 Conditions générales d'essais

Le marquage est vérifié:

- a) par examen pour contrôler qu'il comporte toutes les informations exigées;
- b) en ce qui concerne sa durabilité ou sa lisibilité, par frottement à la main pendant 15 s à l'aide d'un morceau de tissu imbibé d'eau, puis à nouveau pendant 15 s avec un morceau de tissu imbibé de white-spirit ou d'essence minérale.

Le marquage réalisé par moulage, emboutissage ou gravure n'est pas soumis à cet essai.

6.6.2 Critères d'acceptation

L'échantillon est considéré comme ayant satisfait à l'essai si:

- a) le marquage contient toutes les informations indiquées en 5.5.1;
- b) après l'essai du 6.6.1, le marquage ne se dégrade pas et reste lisible en vision normale ou corrigée sans grossissement.

6.7 Construction

La surface de la fixation de conducteur ne doit pas présenter de bavures résultant d'un processus de découpe, du moulage, d'une déformation du joint de moulage ni d'autres défauts analogues susceptibles d'endommager les conducteurs ou de blesser l'installateur ou l'utilisateur.

La conformité est vérifiée par examen visuel et manuel.

7 Compatibilité électromagnétique (CEM)

Dans des conditions d'utilisation normale, les produits couverts par le présent document sont passifs en ce qui concerne les perturbations électromagnétiques (émission et immunité).

8 Structure et contenu du rapport d'essai

8.1 Généralités

L'Article 8 a pour objet d'indiquer les exigences générales relatives aux rapports d'essais des laboratoires. Il est destiné à élaborer des procédures de rapport claires et complètes pour les laboratoires lors de l'élaboration des rapports d'essai.

Les résultats de chaque essai effectué par le laboratoire d'essai doivent être consignés de manière exacte, claire, non ambiguë et objective, conformément aux instructions éventuellement fournies dans les méthodes d'essai. Les résultats doivent être consignés dans un rapport d'essai et doivent comprendre toutes les informations nécessaires pour l'interprétation de ces résultats d'essai, ainsi que toutes les informations exigées par la méthode employée.

Le rapport doit être articulé et présenté de manière à être facilement compris par le lecteur, en particulier en ce qui concerne la présentation des données d'essai. Le format doit être spécialement conçu et adapté à chaque type d'essai, mais le sommaire doit être normalisé comme cela est indiqué ci-après.

La structure de chaque rapport doit inclure au moins les informations spécifiées du 8.2 au 8.10.

8.2 Identification du rapport

Les informations suivantes doivent être incluses dans le rapport d'essai:

- a) un titre ou le sujet du rapport;
- b) le nom, l'adresse électronique ou le numéro de téléphone du laboratoire d'essai;
- c) le nom, l'adresse et le numéro de téléphone du laboratoire d'essai sous-traitant dans lequel l'essai a été effectué, si celui-ci est différent de la société désignée pour réaliser l'essai;
- d) le numéro d'identification unique (ou numéro de série) du rapport d'essai;
- e) le nom et l'adresse du fournisseur;
- f) la pagination et le nombre total de pages indiqué sur chaque page, y compris les annexes;
- g) la date de parution du rapport;

- h) la ou les dates de réalisation de l'essai ou des essais;
- i) la signature et le titre, ou une identification équivalente de la personne ou des personnes autorisées à signer le contenu du rapport pour le compte du laboratoire d'essai;
- j) la signature et le titre de la personne ou des personnes qui ont conduit l'essai;
- k) la déclaration suivante, afin d'en éviter un usage abusif: "Ce rapport d'essai de type ne doit être reproduit qu'intégralement, sauf avec l'accord écrit préalable du laboratoire d'essai exécutant. Ce rapport d'essai de type couvre uniquement les échantillons soumis aux essais et ne prouve pas la qualité d'une production en série".

8.3 Description de l'échantillon

- a) La description de l'échantillon.
- b) La description détaillée et l'identification non ambiguë de l'échantillon d'essai ou de l'assemblage d'essai, par exemple la référence de la pièce, le type, la classification, les matériaux, les dimensions.
- c) La description des pièces fonctionnelles et accessoires (vis, écrous, rondelles, quantité, matériaux, etc.).
- d) La méthode de fabrication (moulé, forgé à chaud, déformé à froid, emboutissage, moulage sous pression, etc.).
- e) La caractérisation et l'état de l'échantillon d'essai et de l'assemblage d'essai.
- f) La procédure d'échantillonnage, le cas échéant.
- g) La date de réception des échantillons d'essai.
- h) Des photos, dessins ou tout autre document visuel, si disponible.

8.4 Conducteur

- a) Le matériau du conducteur.
- b) La section nominale, les dimensions et la forme. Il est recommandé d'indiquer également la section réelle.

8.5 Normes et références

- a) L'identification de la norme d'essai employée et de sa date de publication.
- b) Il ne doit être fait référence au présent document que si l'ensemble des essais est réalisé et consigné dans le rapport, sauf si les écarts sont clairement justifiés en 8.6 b).
- c) Tout autre document utile avec sa date de publication.

8.6 Procédure d'essai

- a) La description de la procédure d'essai.
- b) La justification de tout écart, ajout ou exclusion par rapport à la norme de référence.
- c) Toute autre information utile pour un essai spécifique, telle que les conditions d'environnement.
- d) La configuration de l'assemblage d'essai et du dispositif de mesure.
- e) L'emplacement du montage dans l'espace d'essai et les techniques de mesure.

8.7 Description des équipements d'essai

La description des équipements utilisés pour chacun des essais effectués, par exemple générateurs, dispositifs de conditionnement ou de vieillissement.

8.8 Description des instruments de mesure

Les caractéristiques et la date d'étalonnage de tous les instruments utilisés pour le mesurage des valeurs spécifiées dans le présent document, par exemple ohmmètres, mesureurs de couple.

8.9 Résultats et paramètres enregistrés

- a) Les critères d'acceptation exigés pour chaque essai, définis par la norme.
- b) Les résultats pertinents mesurés, observés ou déduits à partir des essais.
- c) les résultats d'essai des fixations qui fonctionnent comme composantes de connexion, selon 4.1 (résistance ohmique, couples de serrage et de desserrage).

Les valeurs ci-dessus doivent être présentées sous forme de tableaux, graphiques, dessins, photographies ou tout autre document visuel approprié.

8.10 Déclaration d'acceptation et de refus

Il est nécessaire d'inclure une déclaration d'acceptation et de refus qui identifie (en cas de défaillance) la partie de l'essai à laquelle les échantillons ont échoué, accompagnée d'une description de la défaillance.

Annexe A (normative)

Essai environnemental pour les fixations de conducteurs métalliques et composites

A.1 Généralités

L'essai de résistance à la corrosion consiste en un traitement au brouillard salin, comme cela est spécifié à l'Article A.2, suivi par un traitement en atmosphère humide sulfureuse, comme cela est spécifié à l'Article A.3, puis un traitement en atmosphère ammoniacale, comme cela est spécifié à l'Article A.4, pour les échantillons dont les composants en alliage de cuivre présentent un taux de cuivre inférieur à 80 %.

Le fabricant ou le fournisseur doit fournir la preuve du pourcentage de cuivre de chaque partie de l'assemblage en alliage de cuivre.

A.2 Traitement au brouillard salin

Le traitement au brouillard salin doit être réalisé conformément à l'IEC 60068-2-52:2017, à l'exception de l'Article 7, de l'Article 10 et de l'Article 11 qui ne s'appliquent pas. L'essai est effectué avec la sévérité (2).

Si l'enceinte qui contient le brouillard salin peut maintenir les conditions de température spécifiées en 9.3 de l'IEC 60068-2-52:2017 et une humidité relative supérieure ou égale à 90 %, alors l'échantillon peut rester dans l'enceinte pendant la période de stockage en milieu humide.

A.3 Traitement en atmosphère humide sulfureuse

Le traitement en atmosphère humide sulfureuse doit être conforme à l'ISO 22479:2019, Méthode B, avec 7 cycles à une teneur en dioxyde de soufre de 0,2 l pour une capacité de (300 ± 10) l, à l'exception de l'Article 9 et de l'Article 10 qui ne s'appliquent pas.

Chaque cycle d'une durée de 24 h se compose d'une période de chauffage de 8 h à une température de $40 \text{ °C} \pm 3 \text{ K}$ en atmosphère humide saturée, suivie d'une période de repos de 16 h. Ensuite, l'atmosphère humide sulfureuse est remplacée.

Si l'enceinte d'essai maintient les conditions de température spécifiées en 8.5 de l'ISO 22479:2019, alors l'échantillon peut rester dans cette enceinte pendant la période de stockage.

A.4 Traitement en atmosphère ammoniacale

Le traitement en atmosphère ammoniacale doit être conforme à l'ISO 6957:1988 pour une atmosphère modérée avec une valeur de pH de 10, à l'exception du 8.4 et de l'Article 9 qui ne s'appliquent pas.

Annexe B (normative)

Essai environnemental pour les fixations de conducteurs non métalliques et composites – Résistance aux rayonnements ultraviolets

B.1 Généralités

Un lot d'échantillons doit être soumis au conditionnement aux rayonnements ultraviolets spécifié à l'Article B.2, à l'Article B.3 ou à l'Article B.4. Tous les échantillons soumis à l'essai sont considérés comme étant représentatifs de la gamme complète de couleurs du matériau.

Les échantillons doivent être montés à l'intérieur du cylindre du dispositif à ultraviolets, de telle manière qu'ils ne soient pas en contacts les uns avec les autres et que leur surface soit exposée perpendiculairement à la source de lumière.

B.2 Essai

Les échantillons doivent être exposés pendant $(1\,000 \pm 1)$ h à un arc au xénon, Méthode A, conformément à l'ISO 4892-2. Une exposition continue à la lumière et une exposition intermittente aux pulvérisations d'eau doivent être employées, avec un cycle programmé de (120 ± 1) min qui consiste en (102 ± 1) min d'exposition à la lumière et en (18 ± 1) min d'exposition aux pulvérisations d'eau et à la lumière. L'appareillage doit fonctionner avec une lampe à arc au xénon refroidie à l'eau, des filtres optiques internes et externes à verre borosilicaté, un éclairement énergétique spectral de $0,35 \text{ W} \times \text{m}^{-2} \times \text{nm}^{-1}$ à 340 nm et une température de panneau noir de $65 \text{ °C} \pm 3 \text{ K}$. La température de l'enceinte doit être de $45 \text{ °C} \pm 5 \text{ K}$. L'humidité relative de l'enceinte doit être de $(50 \pm 5) \%$.

B.3 Premier essai de substitution à l'Article B.2

Les échantillons doivent être exposés pendant (720 ± 1) h à un arc au carbone à flamme nue, conformément à l'ISO 4892-4. Une exposition continue à la lumière et une exposition intermittente aux pulvérisations d'eau doivent être employées, avec un cycle programmé de (120 ± 1) min qui consiste en (102 ± 1) min d'exposition à la lumière et en 18 min d'exposition à la fois aux pulvérisations d'eau et à la lumière. L'appareil doit fonctionner avec une lampe à arc au carbone à flamme nue, des filtres optiques internes et externes de type 1 à verre borosilicaté, un éclairement énergétique spectral de $0,35 \text{ W} \times \text{m}^{-2} \times \text{nm}^{-1}$ à 340 nm et une température de panneau noir de $63 \text{ °C} \pm 3 \text{ K}$. La température de la chambre doit être de $45 \text{ °C} \pm 5 \text{ K}$ avec une humidité relative de $(50 \pm 5) \%$.

B.4 Second essai de substitution à l'Article B.2

Les échantillons doivent être exposés à une énergie d'irradiation totale égale aux valeurs données à l'Article B.2 pour les lampes UV fluorescentes conformes à l'ISO 4892-3. Les conditions d'exposition doivent être les suivantes: une exposition continue à la lumière et une exposition intermittente aux pulvérisations d'eau, avec un cycle programmé de (360 ± 1) min d'exposition à la lumière et (60 ± 1) min d'exposition à la fois aux pulvérisations d'eau et à la lumière, comme cela est décrit dans le Tableau 4, Méthode A, cycle 3 de l'ISO 4892-3:2016.

Annexe C (normative)

Applicabilité d'essais précédents

Pour les fixations de conducteurs qui ont déjà satisfait aux essais conformément à l'IEC 62561-4:2010 ou à l'IEC 62561-4:2017, les différences entre les versions des procédures d'essai identifiées dans le Tableau C.1 ne sont pas considérées comme suffisamment importantes pour justifier de nouveaux essais du produit en vue de satisfaire aux exigences de l'IEC 62561-4:2023.

Il n'est pas nécessaire de répéter les essais lorsque le fabricant du produit concerné indique clairement que son produit satisfait à toutes les exigences suivantes:

- il n'y a eu aucune modification de la classification du produit depuis qu'il a satisfait aux essais;
- il n'y a eu aucune modification de la méthode de fabrication du produit depuis qu'il a satisfait aux essais;
- il n'y a eu aucune modification de la conception du produit depuis qu'il a satisfait aux essais;
- il n'y a eu aucune modification des matériaux utilisés dans le produit depuis qu'il a satisfait aux essais.

Pour les nouveaux produits, des essais de type complets conformément au présent document doivent être réalisés.

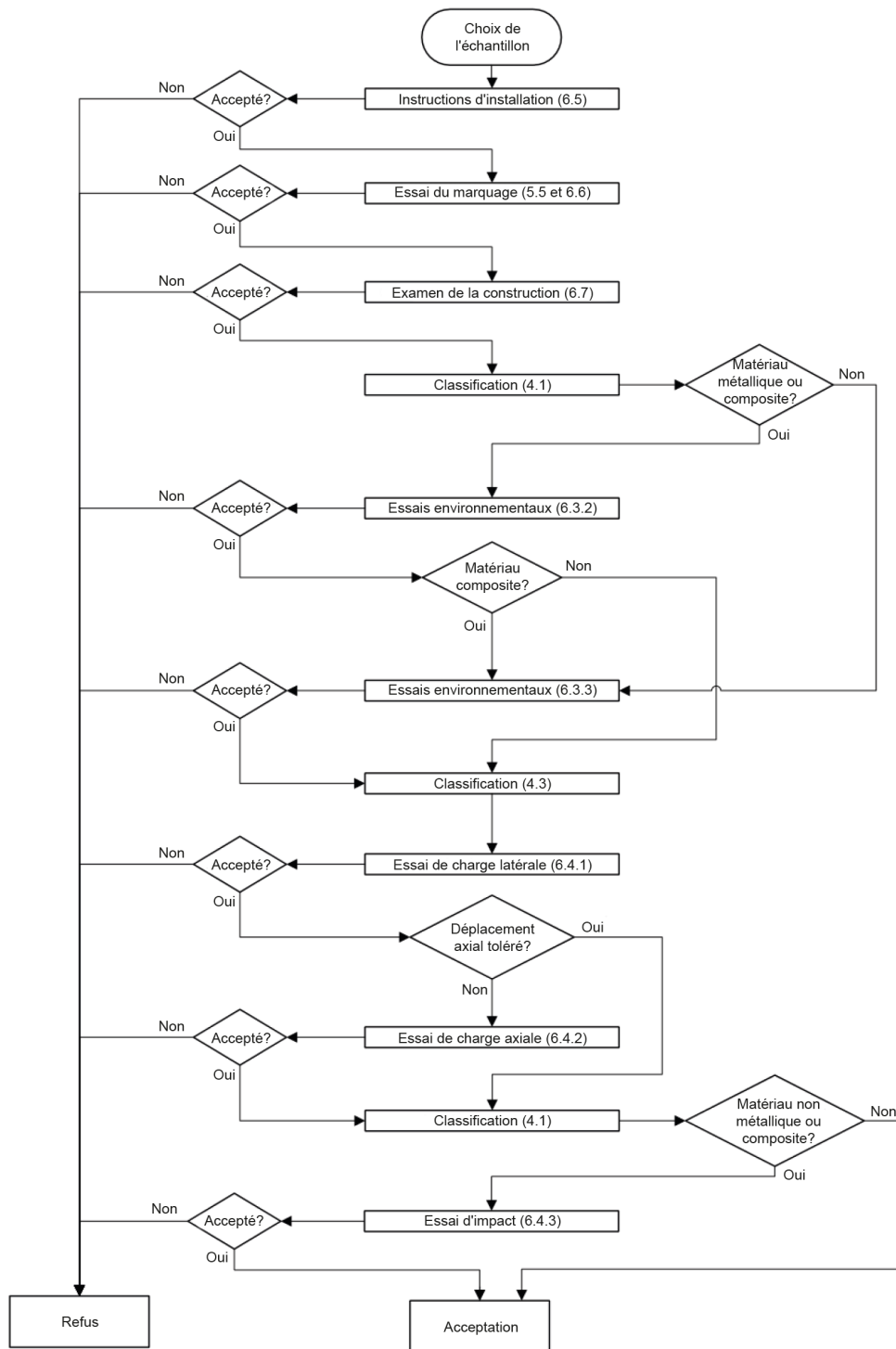
Tableau C.1 – Différences des exigences pour les fixations de conducteur conformes à l'IEC 62561-4:2010 ou à l'IEC 62561-4:2017

Description de l'essai	IEC 62561-4:2010	IEC 62561-4:2017	Nouvel essai exigé
Essai ou traitement au brouillard salin	A.1	A.2	Non
Essai ou traitement en atmosphère humide sulfureuse	A.2	A.3	Non
Essai ou traitement en atmosphère ammoniacale	A.3	A.4	Non
Essai aux UV à arc au xénon	B.2	B.2	Non
Arc au carbone à flamme nue	B.3	B.3	Non
Essai aux UV fluorescents	B.4	B.4	Non
Essai de charge latérale	6.4.1	6.4.1	Non
Essai de charge axiale	6.4.2	6.4.2	Non
Essai de charge d'impact	6.4.3	6.4.3	Non

Annexe D (normative)

Logigramme des essais pour une fixation de conducteur

Voir Figure D.1.



IEC

Figure D.1 – Logigramme des essais pour une fixation de conducteur

Bibliographie

- [1] IEC 62305-1, *Protection contre la foudre – Partie 1: Principes généraux*
 - [2] CLC/TS 50703-2, *Composants des systèmes de protection contre la foudre (CSPF) – Partie 2: Exigences d'essais spécifiques relatives aux composants des SPF utilisés dans les atmosphères explosives*
 - [3] IEC 62305-4, *Protection contre la foudre – Partie 4: Réseaux de puissance et de communication dans les structures*
 - [4] IEC 62305 (toutes les parties), *Protection contre la foudre*
 - [5] IEC 62561-4:2010, *Composants des systèmes de protection contre la foudre (CSPF) – Partie 4: Exigences pour les fixations de conducteurs*
 - [6] IEC 62561-4:2017, *Composants des systèmes de protection contre la foudre (CSPF) – Partie 4: Exigences pour les fixations de conducteurs*
-

INTERNATIONAL
ELECTROTECHNICAL
COMMISSION

3, rue de Varembé
PO Box 131
CH-1211 Geneva 20
Switzerland

Tel: + 41 22 919 02 11
info@iec.ch
www.iec.ch