

INTERNATIONAL STANDARD

NORME INTERNATIONALE

Electrical safety in low voltage distribution systems up to 1 000 V AC and 1 500 V DC – Equipment for testing, measuring or monitoring of protective measures –

Part 9: Equipment for insulation fault location in IT systems

Sécurité électrique dans les réseaux de distribution basse tension au plus égale à 1 000 V C.A et 1 500 V C.C – Dispositifs de contrôle, de mesure ou de surveillance de mesures de protection –

Partie 9: Dispositifs de localisation de défauts d'isolement pour réseaux IT



THIS PUBLICATION IS COPYRIGHT PROTECTED

Copyright © 2023 IEC, Geneva, Switzerland

All rights reserved. Unless otherwise specified, no part of this publication may be reproduced or utilized in any form or by any means, electronic or mechanical, including photocopying and microfilm, without permission in writing from either IEC or IEC's member National Committee in the country of the requester. If you have any questions about IEC copyright or have an enquiry about obtaining additional rights to this publication, please contact the address below or your local IEC member National Committee for further information.

Droits de reproduction réservés. Sauf indication contraire, aucune partie de cette publication ne peut être reproduite ni utilisée sous quelque forme que ce soit et par aucun procédé, électronique ou mécanique, y compris la photocopie et les microfilms, sans l'accord écrit de l'IEC ou du Comité national de l'IEC du pays du demandeur. Si vous avez des questions sur le copyright de l'IEC ou si vous désirez obtenir des droits supplémentaires sur cette publication, utilisez les coordonnées ci-après ou contactez le Comité national de l'IEC de votre pays de résidence.

IEC Secretariat
3, rue de Varembe
CH-1211 Geneva 20
Switzerland

Tel.: +41 22 919 02 11
info@iec.ch
www.iec.ch

About the IEC

The International Electrotechnical Commission (IEC) is the leading global organization that prepares and publishes International Standards for all electrical, electronic and related technologies.

About IEC publications

The technical content of IEC publications is kept under constant review by the IEC. Please make sure that you have the latest edition, a corrigendum or an amendment might have been published.

IEC publications search - webstore.iec.ch/advsearchform

The advanced search enables to find IEC publications by a variety of criteria (reference number, text, technical committee, ...). It also gives information on projects, replaced and withdrawn publications.

IEC Just Published - webstore.iec.ch/justpublished

Stay up to date on all new IEC publications. Just Published details all new publications released. Available online and once a month by email.

IEC Customer Service Centre - webstore.iec.ch/csc

If you wish to give us your feedback on this publication or need further assistance, please contact the Customer Service Centre: sales@iec.ch.

IEC Products & Services Portal - products.iec.ch

Discover our powerful search engine and read freely all the publications previews. With a subscription you will always have access to up to date content tailored to your needs.

Electropedia - www.electropedia.org

The world's leading online dictionary on electrotechnology, containing more than 22 300 terminological entries in English and French, with equivalent terms in 19 additional languages. Also known as the International Electrotechnical Vocabulary (IEV) online.

A propos de l'IEC

La Commission Electrotechnique Internationale (IEC) est la première organisation mondiale qui élabore et publie des Normes internationales pour tout ce qui a trait à l'électricité, à l'électronique et aux technologies apparentées.

A propos des publications IEC

Le contenu technique des publications IEC est constamment revu. Veuillez vous assurer que vous possédez l'édition la plus récente, un corrigendum ou amendement peut avoir été publié.

Recherche de publications IEC -

webstore.iec.ch/advsearchform

La recherche avancée permet de trouver des publications IEC en utilisant différents critères (numéro de référence, texte, comité d'études, ...). Elle donne aussi des informations sur les projets et les publications remplacées ou retirées.

IEC Just Published - webstore.iec.ch/justpublished

Restez informé sur les nouvelles publications IEC. Just Published détaille les nouvelles publications parues. Disponible en ligne et une fois par mois par email.

Service Clients - webstore.iec.ch/csc

Si vous désirez nous donner des commentaires sur cette publication ou si vous avez des questions contactez-nous: sales@iec.ch.

IEC Products & Services Portal - products.iec.ch

Découvrez notre puissant moteur de recherche et consultez gratuitement tous les aperçus des publications. Avec un abonnement, vous aurez toujours accès à un contenu à jour adapté à vos besoins.

Electropedia - www.electropedia.org

Le premier dictionnaire d'électrotechnologie en ligne au monde, avec plus de 22 300 articles terminologiques en anglais et en français, ainsi que les termes équivalents dans 19 langues additionnelles. Egalement appelé Vocabulaire Electrotechnique International (IEV) en ligne.

INTERNATIONAL STANDARD

NORME INTERNATIONALE

Electrical safety in low voltage distribution systems up to 1 000 V AC and 1 500 V DC – Equipment for testing, measuring or monitoring of protective measures –

Part 9: Equipment for insulation fault location in IT systems

Sécurité électrique dans les réseaux de distribution basse tension au plus égale à 1 000 V C.A et 1 500 V C.C – Dispositifs de contrôle, de mesure ou de surveillance de mesures de protection –

Partie 9: Dispositifs de localisation de défauts d'isolement pour réseaux IT

INTERNATIONAL
ELECTROTECHNICAL
COMMISSION

COMMISSION
ELECTROTECHNIQUE
INTERNATIONALE

ICS 25.040.40

ISBN 978-2-8322-7836-9

**Warning! Make sure that you obtained this publication from an authorized distributor.
Attention! Veuillez vous assurer que vous avez obtenu cette publication via un distributeur agréé.**

CONTENTS

FOREWORD.....	5
1 Scope.....	7
2 Normative references	7
3 Terms, definitions and abbreviated terms	9
3.1 Terms, definitions, symbols and units	9
3.2 Abbreviated terms and symbols	12
4 Requirements	13
4.1 General requirements	13
4.2 Functions provided by an IFLS.....	14
4.2.1 Location warning	14
4.2.2 Local location warning (LLW).....	14
4.2.3 Remote location warning (RLW).....	14
4.3 Optional functions provided by IFLS.....	14
4.3.1 Indication of the insulation value.....	14
4.3.2 Alarm in case of the interruption of the loss of the connection to the locating current sensor (LCS)	14
4.3.3 Self-test.....	14
4.4 Performance requirements.....	15
4.4.1 Response sensitivity	15
4.4.2 Locating current I_L and locating voltage U_L	15
4.4.3 Permanently admissible nominal voltage U_{pa}	15
4.4.4 Supply voltage U_S	16
4.5 Safety requirements.....	16
4.5.1 Clearance and creepage distances	16
4.5.2 Protection class and earth connection of the IFLS	16
4.6 Electromagnetic compatibility.....	16
4.7 Mechanical requirements	16
4.7.1 Product mechanical robustness	16
4.7.2 IP protection class requirements.....	16
4.8 Climatic environmental conditions	17
5 Marking and operating instructions	17
5.1 Marking.....	17
5.2 Operating instructions	17
6 Tests	18
6.1 General.....	18
6.2 Type tests	18
6.2.1 Climatic tests	18
6.2.2 Test of response sensitivity of the IFLS	19
6.2.3 Test of the locating current I_L and locating voltage U_L	20
6.2.4 Test of the location warning.....	23
6.2.5 Test of the indication of the insulation value	23
6.2.6 Verification of insulation coordination	23
6.2.7 Test of the electromagnetic compatibility (EMC)	23
6.2.8 Test of the loss of LCS connection	23
6.2.9 Test of the protection class and of the earth connection of the IFLS	23
6.2.10 Inspection of the marking and operating instructions.....	23

6.2.11	Mechanical test	23
6.2.12	Record of the type test	24
6.3	Routine tests	24
6.3.1	General	24
6.3.2	Voltage test	24
6.3.3	Recording of routine tests	24
7	Overview of requirements and tests for IFLS	25
Annex A (normative)	Insulation fault location system in medical locations (MED-IFLS)	26
A.1	General	26
A.2	Requirements	26
A.2.1	General	26
A.2.2	Performance requirements	26
A.2.3	Electromagnetic compatibility	26
A.3	Additional tests	27
A.3.1	General	27
A.3.2	Test of the performance requirements	27
A.3.3	Test of the response time	27
A.3.4	Test of the electromagnetic compatibility (EMC)	27
Annex B (normative)	Portable equipment for insulation fault location	29
B.1	General	29
B.2	Additional requirements	29
B.2.1	General	29
B.2.2	Performance requirements	29
B.3	Marking and operating instructions	29
B.4	Additional tests	29
Annex C (informative)	Example of an IFLS and explanation of upstream and downstream system leakage capacitances	30
C.1	Examples for the functions of an IFLS	30
C.2	Upstream and downstream system leakage capacitance	32
Bibliography	33
Figure 1	– Test configuration: I_L driven directly from the system to be monitored	21
Figure 2	– Test configuration: Active locating source	22
Figure 3	– Test configuration for current testing: Active locating source is used with a locating voltage above 50 V AC RMS and 70 V peak or 120 V DC	22
Figure C.1	– Example of an IFLS	31
Figure C.2	– Explanation of upstream and downstream system leakage capacitance	32
Table 1	– Abbreviated terms and symbols	12
Table 2	– Minimum IP requirements for IFLS	17
Table 3	– Reference conditions for testing	18
Table 4	– Climatic tests in operation	19
Table 5	– Climatic tests for storage	19
Table 6	– List of test conditions (TC)	19
Table 7	– Product mechanical test	24
Table 8	– Requirements and tests on IFLSs	25

Table A.1 – Additional requirements applicable to MED-IFLS.....	27
Table A.2 – Emission test for MED-IFLS	28

INTERNATIONAL ELECTROTECHNICAL COMMISSION

ELECTRICAL SAFETY IN LOW VOLTAGE DISTRIBUTION SYSTEMS UP TO 1 000 V AC AND 1 500 V DC – EQUIPMENT FOR TESTING, MEASURING OR MONITORING OF PROTECTIVE MEASURES –**Part 9: Equipment for insulation fault location in IT systems**

FOREWORD

- 1) The International Electrotechnical Commission (IEC) is a worldwide organization for standardization comprising all national electrotechnical committees (IEC National Committees). The object of IEC is to promote international co-operation on all questions concerning standardization in the electrical and electronic fields. To this end and in addition to other activities, IEC publishes International Standards, Technical Specifications, Technical Reports, Publicly Available Specifications (PAS) and Guides (hereafter referred to as “IEC Publication(s)”). Their preparation is entrusted to technical committees; any IEC National Committee interested in the subject dealt with may participate in this preparatory work. International, governmental and non-governmental organizations liaising with the IEC also participate in this preparation. IEC collaborates closely with the International Organization for Standardization (ISO) in accordance with conditions determined by agreement between the two organizations.
- 2) The formal decisions or agreements of IEC on technical matters express, as nearly as possible, an international consensus of opinion on the relevant subjects since each technical committee has representation from all interested IEC National Committees.
- 3) IEC Publications have the form of recommendations for international use and are accepted by IEC National Committees in that sense. While all reasonable efforts are made to ensure that the technical content of IEC Publications is accurate, IEC cannot be held responsible for the way in which they are used or for any misinterpretation by any end user.
- 4) In order to promote international uniformity, IEC National Committees undertake to apply IEC Publications transparently to the maximum extent possible in their national and regional publications. Any divergence between any IEC Publication and the corresponding national or regional publication shall be clearly indicated in the latter.
- 5) IEC itself does not provide any attestation of conformity. Independent certification bodies provide conformity assessment services and, in some areas, access to IEC marks of conformity. IEC is not responsible for any services carried out by independent certification bodies.
- 6) All users should ensure that they have the latest edition of this publication.
- 7) No liability shall attach to IEC or its directors, employees, servants or agents including individual experts and members of its technical committees and IEC National Committees for any personal injury, property damage or other damage of any nature whatsoever, whether direct or indirect, or for costs (including legal fees) and expenses arising out of the publication, use of, or reliance upon, this IEC Publication or any other IEC Publications.
- 8) Attention is drawn to the Normative references cited in this publication. Use of the referenced publications is indispensable for the correct application of this publication.
- 9) IEC draws attention to the possibility that the implementation of this document may involve the use of (a) patent(s). IEC takes no position concerning the evidence, validity or applicability of any claimed patent rights in respect thereof. As of the date of publication of this document, IEC had not received notice of (a) patent(s), which may be required to implement this document. However, implementers are cautioned that this may not represent the latest information, which may be obtained from the patent database available at <https://patents.iec.ch>. IEC shall not be held responsible for identifying any or all such patent rights.

IEC 61557-9 has been prepared by IEC technical committee 85: Measuring equipment for electrical and electromagnetic quantities. It is an International Standard.

This fourth edition cancels and replaces the third edition published in 2014. This edition constitutes a technical revision.

This edition includes the following significant technical changes with respect to the previous edition:

- a) new terms and definitions on maximum admissible locating AC and DC currents and voltages;
- b) the requirements on locating current and locating voltage have been revised;

- c) performance requirements have been added;
- d) the test requirements for locating current and locating voltage have been revised;
- e) the structure of this document has been adapted to that of IEC 61557-1:2019;
- f) the limit values under Clause A.2 were adapted to fit the changed test methods in 6.2.3.

The text of this International Standard is based on the following documents:

Draft	Report on voting
85/896/FDIS	85/901/RVD

Full information on the voting for its approval can be found in the report on voting indicated in the above table.

The language used for the development of this International Standard is English

This document was drafted in accordance with ISO/IEC Directives, Part 2, and developed in accordance with ISO/IEC Directives, Part 1 and ISO/IEC Directives, IEC Supplement, available at www.iec.ch/members_experts/refdocs. The main document types developed by IEC are described in greater detail at www.iec.ch/publications.

A list of all parts in the IEC 61557 series, published under the general title *Electrical safety in low voltage distribution systems up to 1 000 V AC and 1 500 V DC – Equipment for testing, measuring or monitoring of protective measures*, can be found on the IEC website.

The committee has decided that the contents of this document will remain unchanged until the stability date indicated on the IEC website under webstore.iec.ch in the data related to the specific document. At this date, the document will be

- reconfirmed,
- withdrawn, or
- revised.

ELECTRICAL SAFETY IN LOW VOLTAGE DISTRIBUTION SYSTEMS UP TO 1 000 V AC AND 1 500 V DC – EQUIPMENT FOR TESTING, MEASURING OR MONITORING OF PROTECTIVE MEASURES –

Part 9: Equipment for insulation fault location in IT systems

1 Scope

This part of IEC 61557 specifies the requirements for the insulation fault location system (IFLS) that localizes insulation faults in any part of the system in unearthed IT AC systems and unearthed IT AC systems with galvanically connected DC circuits having nominal voltages up to 1 000 V AC, as well as in unearthed IT DC systems with voltages up to 1 500 V DC, independent of the measuring principle.

NOTE 1 IT systems are described in IEC 60364-4-41. Further information on insulation fault location can be found in the following International Standards: IEC 60364-4-41:2005, 411.6 and IEC 60364-4-41:2005/AMD1:2017, 411.6, and IEC 60364-5-53:2019/AMD1:2020, 531.3.

NOTE 2 This document covers both passive IFLS and active IFLS. Active IFLS can be used in de-energised systems.

NOTE 3 This document does not cover IMD complying with IEC 61557-8.

2 Normative references

The following documents are referred to in the text in such a way that some or all of their content constitutes requirements of this document. For dated references, only the edition cited applies. For undated references, the latest edition of the referenced document (including any amendments) applies.

IEC 60068-2-1:2007, *Environmental testing – Part 2-1: Tests – Test A: Cold*

IEC 60068-2-2:2007, *Environmental testing – Part 2-2: Tests – Test B: Dry heat*

IEC 60068-2-6, *Environmental testing – Part 2-6: Tests – Test Fc: Vibration (sinusoidal)*

IEC 60068-2-27:2008, *Environmental testing – Part 2-27: Tests – Test Ea and guidance: Shock*

IEC 60364-7-710:2021, *Low-voltage electrical installations – Part 7-710: Requirements for special installations or locations – Medical locations*

IEC 60529, *Degrees of protection provided by enclosures (IP Code)*

IEC 60721-3-1:2018, *Classification of environmental conditions – Part 3-1: Classification of groups of environmental parameters and their severities – Storage*

IEC 60721-3-2:2018, *Classification of environmental conditions – Part 3-2: Classification of groups of environmental parameters and their severities – Transportation and handling*

IEC 60721-3-3:2019, *Classification of environmental conditions – Part 3-3: Classification of groups of environmental parameters and their severities – Stationary use at weatherprotected locations*

IEC 60947-5-1:2016, *Low-voltage switchgear and controlgear – Part 5-1: Control circuit devices and switching elements – Electromechanical control circuit devices*

IEC 60947-5-4:2002, *Low-voltage switchgear and controlgear – Part 5-4: Control circuit devices and switching elements – Method of assessing the performance of low-energy contacts – Special tests*

IEC 60947-5-4:2002/AMD1:2019

IEC 61010-1:2010, *Safety requirements for electrical equipment for measurement, control, and laboratory use – Part 1: General requirements*

IEC 61010-1:2010/AMD1:2016

IEC 61010-2-030, *Safety requirements for electrical equipment for measurement, control, and laboratory use – Part 2-030: Particular requirements for equipment having testing or measuring circuits*

IEC 61010-031, *Safety requirements for electrical equipment for measurement, control, and laboratory use – Part 031: Safety requirements for hand-held and hand-manipulated probe assemblies for electrical test and measurement*

IEC 61010-2-032, *Safety requirements for electrical equipment for measurement, control, and laboratory use – Part 2-032: Particular requirements for hand-held and hand-manipulated current sensors for electrical test and measurement*

IEC 61140, *Protection against electric shock – Common aspects for installation and equipment*

IEC 61326-1:2020, *Electrical equipment for measurement, control and laboratory use – EMC requirements – Part 1: General requirements*

IEC 61326-2-2, *Electrical equipment for measurement, control and laboratory use – EMC requirements – Part 2-2: Particular requirements – Test configurations, operational conditions and performance criteria for portable testing, measuring and monitoring equipment used in low-voltage distribution systems*

IEC 61326-2-4, *Electrical equipment for measurement, control and laboratory use – EMC requirements – Part 2-4: Particular requirements – Test configurations, operational conditions and performance criteria for insulation monitoring devices according to IEC 61557-8 and for equipment for insulation fault location according to IEC 61557-9*

IEC 61557-1:2019, *Electrical safety in low voltage distribution systems up to 1 000 V AC and 1 500 V DC – Equipment for testing, measuring or monitoring of protective measures – Part 1: General requirements*

IEC 61557-8:2014, *Electrical safety in low voltage distribution systems up to 1 000 V AC and 1 500 V DC – Equipment for testing, measuring or monitoring of protective measures – Part 8: Insulation monitoring devices for IT systems*

IEC 61810-2:2017, *Electromechanical elementary relays – Part 2: Reliability*

3 Terms, definitions and abbreviated terms

3.1 Terms, definitions, symbols and units

For the purposes of this document, the terms and definitions given in IEC 61557-1, IEC 61557-8 and the following apply.

ISO and IEC maintain terminology databases for use in standardization at the following addresses:

- IEC Electropedia: available at <https://www.electropedia.org/>
- ISO Online browsing platform: available at <https://www.iso.org/obp>

3.1.1

insulation fault location system

IFLS

device, equipment or combination of devices used for insulation fault location in IT systems

Note 1 to entry: IFLS functionality can be used in addition to insulation monitoring functionality. It injects a locating current between the electrical system and earth and locates the insulation fault.

3.1.2

locating current

I_L

current that is injected by the locating current injector during the location process

Note 1 to entry: The locating current can be generated by:

- an active locating source with a sufficiently large internal impedance using an independent voltage source different from the system to be monitored, or
- a passive locating current source driven directly from the system to be monitored.

3.1.3

locating voltage

U_L

voltage present at the measuring terminals of the locating current injector during the measurement when the device has an active locating source

Note 1 to entry: In a fault-free, de-energized system, this represents the voltage present between the terminals of the locating device to the system to be monitored and the terminals for the connection to the PE conductor.

3.1.4

response sensitivity

value of the locating current or insulation resistance at which the insulation fault locator responds under specified conditions

Note 1 to entry: Response sensitivity may either be a fixed threshold or a response curve.

3.1.5

insulation fault locator

IFL

device or part of a device, that has the function to locate the insulation fault

3.1.6

locating current sensor

LCS

sensor for the detection of the locating current used for the location of the insulation fault

3.1.7**locating current injector****LCI**

device or part of a device, that has the function to inject the locating current into the IT system in order to locate the insulation fault

3.1.8**passive locating current injector****PLCI**

locating current injector that generates the locating current directly from the system to be monitored

3.1.9**active locating current injector****ALCI**

locating current injector that generates the locating current from a locating voltage source which is different from the system to be monitored

3.1.10**insulation fault location system in medical location****MED-IFLS**

specific insulation fault location equipment dedicated to locating insulation faults in IT systems of group 2 medical locations

Note 1 to entry: The MED-IFLS is described in IEC 61557-9:2023, Annex A.

Note 2 to entry: Medical locations are defined in IEC 60364-7-710.

3.1.11**response time**

t_{al}

time required by insulation fault location equipment to respond under specified performance conditions

Note 1 to entry: The requirements for the condition can be found in IEC 61557-9:2023, A.2.2.4.

3.1.12**group 2 medical location**

medical location where ME equipment or ME systems are intended to be used intrusively, externally or invasively to any part of the patient and where discontinuity of the electrical supply, such as protection against electric shock, represents a risk to the safety of the patient

[SOURCE: IEC 60364-7-710:2021, 710.3.9, modified – "medical location" added to the source term "group 2".]

3.1.13**portable equipment for insulation fault location****PIFL**

equipment used for temporary insulation fault location in IT systems instead of, or in addition to, fixed installed equipment for insulation fault location

Note 1 to entry: The requirements for PIFL are defined in Annex B of this document.

**3.1.14
system leakage capacitance for IFLS** C_{el}

maximum value of the total capacitance to earth of the system to be monitored including any connected appliances up to which the IFLS can work as specified

Note 1 to entry: The system leakage capacitance is the sum of the leakage capacitances of all phase conductors including the neutral conductor to earth.

**3.1.15
maximum admissible locating AC current** $I_{\text{limit AC}}$

maximum peak value of the locating current above a pre-set level of frequency

Note 1 to entry: The frequency and current levels are derived from IEC 61140.

**3.1.16
maximum admissible locating DC current** $I_{\text{limit DC}}$

maximum peak value of the locating current below a pre-set level of frequency

Note 1 to entry: The frequency and current levels are derived from IEC 61140.

**3.1.17
maximum admissible locating AC voltage** $U_{\text{limit AC}}$

maximum peak value of the locating voltage above a pre-set level of frequency

Note 1 to entry: The frequency and voltage levels are derived from IEC 61140.

**3.1.18
maximum admissible locating DC voltage** $U_{\text{limit DC}}$

maximum peak value of the locating voltage below a pre-set level of frequency

Note 1 to entry: The frequency and voltage levels are derived from IEC 61140.

**3.1.19
injection resistance** R_i

resistance of the locating current injector between the injection terminal and the earth terminal

**3.1.20
injection impedance** Z_i

total impedance of the locating current injector between the injection terminal and the earth terminal, measured at the nominal frequency

**3.1.21
symmetrical insulation fault**

defect in the insulation of an electric installation or equipment creating a resistive path to earth having approximately the same resistance from all phase conductors to earth

**3.1.22
asymmetrical insulation fault**

defect in the insulation of an electric installation or equipment creating a resistive path to earth having different resistances from all phase conductors to earth

3.2 Abbreviated terms and symbols

The abbreviated terms and symbols listed in Table 1 apply to this document.

Table 1 – Abbreviated terms and symbols

Abbreviated term or symbol	Explanation
C_{Ld}	System leakage capacitance downstream of the locating current sensor
C_{Lu}	System leakage capacitance upstream of the locating current sensor
C_{el}	System leakage capacitance for IFLS
EMC	Electromagnetic compatibility
FE	Functional earth terminal
g_n	Standard acceleration of free fall
IFL	Insulation fault locator
IFLS	Insulation fault location system
I_L	Locating current
IMD	Insulation monitoring device
IP	Degree of protection of enclosure
LCI	Locating current injector
LCS	Locating current sensor
LLW	Local location warning
PE	Protective earth conductor
PIFL	Portable equipment for insulation fault location
PLCI	Passive locating current injector
ALCI	Active locating current injector
PLCS	Portable locating current sensor
Q	Quality factor
R_F	Insulation resistance
RLW	Remote location warning
RMS	Root-mean-square value, effective value
T	Transformer in an IT system
$I_{limit AC}$	Maximum admissible locating AC current
$I_{limit DC}$	Maximum admissible locating DC current
$U_{limit AC}$	Maximum admissible locating AC voltage
$U_{limit DC}$	Maximum admissible locating DC voltage
MED-IFLS	Insulation fault location system in medical locations
t_{al}	Response time
RLW	Remote location warning
μF	Microfarad The farad (symbol: F) is the SI derived unit of electrical capacitance. 1 μF (microfarad, one millionth (10^{-6}) of a farad)
U	Formula symbol for a voltage in the SI unit volt
U_1	Calculated voltage for the locating voltage assessment
U_B	Measured voltage for the locating current assessment

Abbreviated term or symbol	Explanation
U_L	Locating voltage
U_{pa}	Permanently admissible nominal voltage
U_n	Nominal system voltage
U_s	Supply voltage
MΩ	megaohm The ohm (symbol: Ω) is the SI derived unit of electrical resistance. 1 MΩ (megohm) corresponds to one million ohms
Z_i	Injection impedance Total impedance of IFLS between the terminals to the system and earth, measured at the rated frequency f_N
R_i	Injection resistance
R_H	First resistance of the voltage divider
R_T	Second resistance of the voltage divider
R_S	First resistance of the voltage divider representing resistance of human skin
R_B	Second resistance of the voltage divider representing resistance of a human body
C_f	Capacitance of anti-aliasing filter
μs	Microsecond The second (symbol: s) is the base unit of time in the International System of Units (SI).
Fc	Test Fc: Vibration (sinusoidal)
Ea	Test Ea and guidance: Shock
nF	nanofarad The farad (symbol: F) is the SI derived unit of electrical capacitance.

4 Requirements

4.1 General requirements

Equipment for insulation fault location shall be capable of localizing symmetrical insulation faults as well as asymmetrical insulation faults in an IT system and to give a location warning if the insulation resistance in a part of the installation falls below the response sensitivity.

If equipment for insulation fault location has a self-test function, the self-test shall not produce an insulation fault to earth.

For the requirements of an insulation fault location system in medical locations, see Annex A.

For the requirements of portable equipment for insulation fault location, see Annex B.

4.2 Functions provided by an IFLS

4.2.1 Location warning

An IFLS shall contain a visual warning device, which indicates if an insulation fault is detected. Alternatively, an IFLS shall allow for connection to such a visual warning device for the indication of an insulation fault. If externally connectable audible signalling devices are provided, they may be fitted with a resetting facility. In this case, after clearing an insulation fault or resetting the device, the audible signal shall sound if a new insulation fault occurs. The location warning shall be either a local location warning or a remote location warning or both together.

4.2.2 Local location warning (LLW)

This function aims at issuing a warning signal when the insulation resistance between the system and earth falls below the set response value.

This function will include the localization of an insulation fault in an IT system including symmetrical and asymmetrical insulation faults, an assessment of this fault and a local warning.

A local warning should be made by visual indicators or by additional audible signals generated by the product implementing the function.

NOTE Usually this function is provided by the IFLS.

4.2.3 Remote location warning (RLW)

This function aims at issuing a remote warning signal if the insulation resistance between the system and earth falls below the response sensitivity.

This function will include the localization of an insulation fault in an IT system including symmetrical and asymmetrical insulation faults, an assessment of this fault and a remote warning.

A relay contact output or an electronic switching output or a data communication can be used to report the warning remotely.

NOTE The warning output can be used in some applications for switching.

4.3 Optional functions provided by IFLS

4.3.1 Indication of the insulation value

When an IFLS includes means for the indication of the insulation value, the uncertainty of the indicated value shall be stated by the manufacturer.

4.3.2 Alarm in case of the interruption of the loss of the connection to the locating current sensor (LCS)

When an IFLS includes a periodic verification of the connection to one or more LCSs, an indication in case of loss of connection shall be provided.

4.3.3 Self-test

An IFLS can have a self-test function. Checking the response sensitivity by the self-test is not mandatory.

4.4 Performance requirements

4.4.1 Response sensitivity

An IFLS shall be designed in such a manner that the response sensitivity stated by the manufacturer will be met under the specified system conditions, at a total symmetrical system leakage capacitance of 1 μF upstream of the locating current sensor ($C_{Lu} = 1 \mu\text{F}$, $C_{Ld} = 0 \mu\text{F}$ according to Figure C.2).

Information on the influence of the system leakage capacitances higher than 1 μF on the response sensitivity as well as possible interference from the distribution system on the insulation fault location process shall be stated by the manufacturer.

NOTE For additional information about upstream and downstream capacitances, see Annex C.

4.4.2 Locating current I_L and locating voltage U_L

If a passive locating current source is used, the locating current I_L shall be limited to 500 mA RMS. The locating current shall not increase above 500 mA RMS, under foreseeable component failures in the locating current injector (LCI). When the locating current is adjustable, unintentional changes of the setting shall be prevented by suitable means.

If an active locating source is used, then there are no additional requirements on the locating current I_L when the value of the locating voltage U_L does not exceed:

- The maximum admissible locating DC voltage U_{Limit_DC} of 120 V peak measured with the circuit, which has an equivalent resistance of at least 20 times the injection resistance if the signal frequency is less than 15 Hz or is DC.
- The maximum admissible locating AC voltage U_{Limit_AC} of 50 V RMS and 70 V peak measured with the circuit, which has an equivalent resistance of at least 20 times the injection resistance, if the signal frequency is greater than or equal to 15 Hz.

For signal frequencies less than 15 Hz or DC, the maximum locating DC current I_{Limit_DC} shall not exceed 10 mA peak, if the value of the locating voltage U_L exceeds:

- The maximum admissible locating DC voltage U_{Limit_DC} of 120 V peak measured with the circuit, which has an equivalent resistance of at least 20 times the injection resistance.

For signal frequencies greater than or equal to 15 Hz, the maximum locating AC current I_{limit_AC} shall not exceed 3,5 mA RMS and 5 mA peak if the value of the locating voltage U_L exceeds:

- The maximum admissible locating AC voltage U_{Limit_AC} of 50 V RMS and 70 V peak measured with the circuit, which has an equivalent resistance of at least at 20 times the injection resistance.

Under certain circumstances for the tests in accordance with 6.2.3, injection impedance shall be considered.

4.4.3 Permanently admissible nominal voltage U_{pa}

The permanently admissible nominal voltage U_{pa} shall be at least 105 % of the highest nominal system voltage U_n .

The permanently admissible nominal voltage U_{pa} applies between the system connections of the IFLS and between the system connections and earth.

If IFLS are applicable in IT systems with frequencies different from the mains nominal frequency, for example 50 Hz/60 Hz, the manufacturer shall provide information of the permanently admissible system voltages at the relevant frequency range in the operating instructions.

4.4.4 Supply voltage U_s

For IFLS without separate supply connections where the supply voltage U_s is taken out of the system voltage U_n , the working range of the supply voltage U_s shall be equal to the voltage range of the system voltage U_n .

For IFLS with separate connections for the supply voltage U_s , the manufacturer shall provide information about the admissible range of the supply voltage U_s .

4.5 Safety requirements

4.5.1 Clearance and creepage distances

An IFLS shall have minimum clearance and creepage distances in accordance with IEC 61010-1 and IEC 61010-2-030.

Clearance and creepage shall comply with:

- overvoltage category III according to IEC 61010-1;
- measurement category III according to IEC 61010-2-030;
- pollution degree 2.

In special applications where transient overvoltage is limited, e.g. by the use of transformers with protective separation, measuring circuits may be designed for OVC II. For devices installed in OVCII environments, insulation shall be designed, and tests shall be carried out according to IEC 61010-1:2010, Clause 6 and IEC 61010-1:2010/AMD1:2016, Clause 6.

NOTE For circuit design features, see IEC 61140.

4.5.2 Protection class and earth connection of the IFLS

The earth connection of the LCI component of an IFLS is a measuring connection and shall be treated as a functional earth connection (FE). If the IFLS has accessible parts which are earthed for protective purposes, these connections shall be treated as protective conductor connections (PE).

4.6 Electromagnetic compatibility

The IFLS shall comply with the EMC requirements in accordance with IEC 61326-2-4.

4.7 Mechanical requirements

4.7.1 Product mechanical robustness

The mechanical tests according to 6.2.11 shall be passed without failure.

4.7.2 IP protection class requirements

The manufacturer shall document equipment IP protection class in accordance with IEC 60529. The minimum requirements are given in Table 2, which specifies minimum IP requirements for the different kinds of IFLS housings.

Table 2 – Minimum IP requirements for IFLS

Kind of IFLS	Front panel	Housing, except front panel
Fixed installed IFLS panel mounted devices.	IP 40	IP 2X
Fixed installed IFLS modular devices snapped on DIN rails within distribution panel.	IP 40	IP 2X
Fixed installed IFLS housing devices snapped on DIN rails within distribution panel.	IP 2X	IP 2X
Portable IFLS	IP 0	IP 40

4.8 Climatic environmental conditions

The IFLS shall operate at least under the following temperature conditions:

- operation: class 3K22 in accordance with IEC 60721-3-3:2019, –5 °C to +45 °C,
- transport: class 2K11 in accordance with IEC 60721-3-2:2018, –25 °C to +70 °C,
- storage: class 1K22 in accordance with IEC 60721-3-1:2018, –25 °C to +55 °C.

5 Marking and operating instructions

5.1 Marking

In addition to the marking of IEC 61010-1 and IEC 61010-2-030 the following information shall be provided on the IFLS, if applicable:

- type of device as well as mark of origin or name of the manufacturer,
- type of IT system to be monitored (if the IFLS is designed for a specific type of IT system),
- nominal system voltage U_n or range of the nominal voltage,
- nominal value of the rated supply voltage U_S or range of the rated supply voltage,
- nominal frequency of the rated supply voltage U_S and the nominal voltage U_n or working range of frequencies for the rated supply voltage or nominal voltage,
- the serial number, the year of manufacture or the type-designation required on the outside and, if this is not possible, on the inside of the IFLS.

All information of 5.1 shall be indelibly marked on the IFLS.

5.2 Operating instructions

In addition to IEC 61010-1 and IEC 61010-2-030 the operating instructions shall state the following information:

- maximum RMS or peak values of the locating voltage U_L in cases where it is independent from the voltage in the system to be monitored;
- maximum RMS or peak values of the locating current I_L ;
- response sensitivity;
- technical data of the interface for the connection of an external warning device, including rated voltage and rated current, rated insulation voltage and explanation of the interface function;
- connection diagram,

- information on the influence of system leakage capacitances, of the system voltage and of the type of distribution system on the response sensitivity;
- locating voltage according to 4.4.2 and conformity to the relevant EMC standards;
- functional description of the IFLS;
- an indication that the system to be monitored including any connected appliances can be influenced by the IFLS, for example influence on residual current devices (RCDs);
- an indication that IMDs may be influenced by the IFLS, if applicable;
- an explanation in the operating instructions that if the IMD is deactivated during the fault location this shall be explained in the operating instructions;
- the maximum operating uncertainty for the response sensitivity under specified conditions;
- the maximum operating uncertainty for the indication of the insulation value, if applicable;
- the maximum value of the system leakage capacitance C_{el} .

For an IFLS with an injection impedance where the injection current is not limited by any locating current resistance in series, information concerning the injection impedance Z_i of the locating current injector as a function of the injector frequency shall be provided.

Information for contact circuits, provided in the technical documentation, shall be in accordance with IEC 61810-2 or with IEC 60947-5-1 and with IEC 60947-5-4. The choice of the standard to be taken into account is to be made by the manufacturer, depending on which scope of the standards mentioned is better suited to the intended field of application of the IFLS. The selection shall be documented.

6 Tests

6.1 General

Compliance with requirements of Clause 4 shall be verified by all applicable tests specified in Clause 6 under the reference conditions according to Table 3.

Table 3 – Reference conditions for testing

Item	Reference conditions
Mains frequency	Rated frequency ± 1 %
Operating temperature	22 °C ± 3 °C
External continuous magnetic field	≤ 40 A/m DC ≤ 3 A/m AC at 50/60 Hz
Auxiliary supply voltage	Nominal supply voltage specified by manufacturer ± 5 %

6.2 Type tests

6.2.1 Climatic tests

6.2.1.1 Climatic tests under operation

Normal operation of the IFLS under the conditions described in Table 4 shall be verified. At least 1 h before the end of each climatic test, the tests specified in 6.2.2, 6.2.3 and 6.2.4 shall be performed.

Table 4 – Climatic tests in operation

Climatic characteristics	Basic standard	Level / Class	Test specification
Exposed to the cold	IEC 60068-2-1	Ad	–5 °C; 96 h
Exposed to dry heat	IEC 60068-2-2	Bd	+45 °C; 96 h

6.2.1.2 Climatic tests for storage

Verification of resistance to environmental stresses during storage shall be verified in accordance with Table 5. This test is performed without voltage. One hour after the end of each climatic test, the tests specified in 6.2.2, 6.2.3 and 6.2.4 shall be performed.

Table 5 – Climatic tests for storage

Climatic characteristics	Basic standard	Level / Class	Test specification
Exposed to the cold	IEC 60068-2-1	Ab	–25° C; 96 h
Exposed to dry heat	IEC 60068-2-2	Bb	+70° C; 96 h

6.2.2 Test of response sensitivity of the IFLS

The response sensitivity shall be tested at the lowest and at the highest value of the nominal system voltage U_n and under the conditions of 4.4.1.

For this test, the insulation resistance shall be simulated according to the 4 test conditions specified in Table 6:

- single pole resistor (from each phase of U_n in turn to earth);
- symmetrically (same resistor from all phases of U_n to earth).

Table 6 – List of test conditions (TC)

Test conditions	Insulation resistance	U_n	Response sensitivity
TC1	single pole resistor	highest value of the nominal system voltage U_n	conditions of 4.4.1
TC2	symmetrically		
TC3	single pole resistor	lowest value of the nominal system voltage U_n	
TC4	symmetrically		

The measuring device used for testing shall be able to accommodate slow continuous or fine-step changes of the insulation resistance as well as a connection of system leakage capacitances according to 4.4.1. Capacitors with an insulation resistance of at least 100 MΩ and a tolerance limit of ±10 % maximum shall be used for simulating system leakage capacitances.

During testing, the insulation faults are simulated by externally connected test resistors. The response sensitivity shall be determined at the lower and the upper value of the voltage of the system to be monitored by reducing the test resistances slowly. The response sensitivity shall be determined with symmetrical and single pole test resistances. If the measuring principle depends on the magnitude of the system leakage capacitance, the specified response sensitivity shall be tested by connecting capacitors step by step.

When the IFLS is provided with adjustable response sensitivity, the tests shall be performed at the lowest and at the highest value for a value which is adjustable continuously and for all values with fixed selectable response sensitivities.

The tests shall be performed under the reference conditions of 6.1.

The response sensitivity shall be compared with the values stated by the manufacturer.

6.2.3 Test of the locating current I_L and locating voltage U_L

Requirements of 4.4.2 are tested in this subclause.

The locating current shall be measured in an IT system with no system leakage capacitance and with an insulation resistance $> 100 \text{ M}\Omega$ as follows:

- If a passive locating current source is used:
 - set the voltage of the IT system to the maximum nominal system voltage of the device;
 - connect an amperemeter or an appropriate device between one phase conductor and the PE conductor and measure the RMS value of the locating current, as specified in Figure 1.
- If an active locating source is used:
 - connect the anti-aliasing filter between the injection terminal and the earth terminal;
 - set the voltage divider in Figure 2 to satisfy the equivalent resistance requirement from 4.4.2. For example, if the injection resistance is below $500 \text{ k}\Omega$, R_H can be set to $9,9 \text{ M}\Omega$, R_T to $100 \text{ k}\Omega$ and C_f to 10 nF .
 - connect a voltmeter with peak and RMS measurement capabilities to the output of the anti-aliasing filter and measure the peak and RMS values as shown in Figure 2.

U_1 shall be calculated from the voltmeter measurement and shall be less than $U_{\text{limit AC}}$ for $f \geq 15 \text{ Hz}$. The voltmeter shall be in the peak mode for the peak measurement and in the true RMS mode for the RMS measurement. For the peak measurement, the voltmeter shall have a maximum response time of $250 \mu\text{s}$.

U_1 shall be calculated from the voltmeter measurement and shall be less than $U_{\text{limit DC}}$ for $f < 15 \text{ Hz}$, measured with a voltmeter in the peak mode. The voltmeter shall have a maximum response time of $250 \mu\text{s}$.

NOTE 1 A conformity assessment can be used to consider both the device and its related user documentation. A third-party body can use the above test configuration or any other relevant test configuration.

If an active locating source is used with a locating voltage above 50 V AC RMS and 70 V peak or 120 V DC :

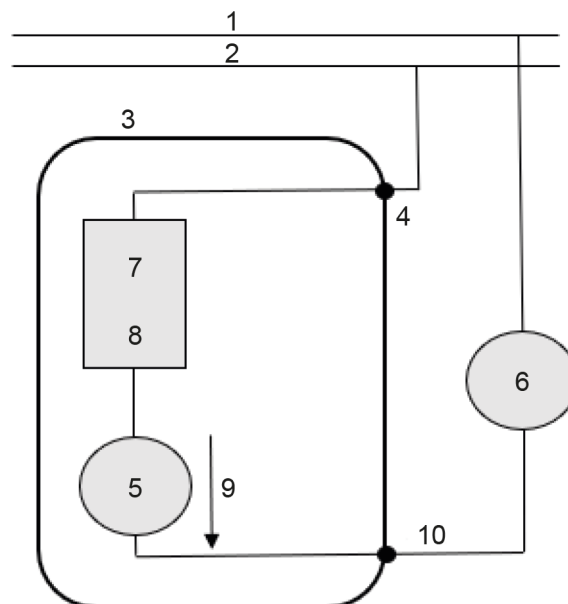
- connect the voltage divider between the injection terminal and the earth terminal;
- set the voltage divider values, R_B to 500Ω and R_S to $1,5 \text{ k}\Omega$;

NOTE 2 The values for R_B and R_S represent the worst-case condition and can be found in IEC 60479-1.

- connect a voltmeter with peak and RMS measurement capabilities to the output of the voltage divider and measure the peak and RMS values as shown in Figure 3.

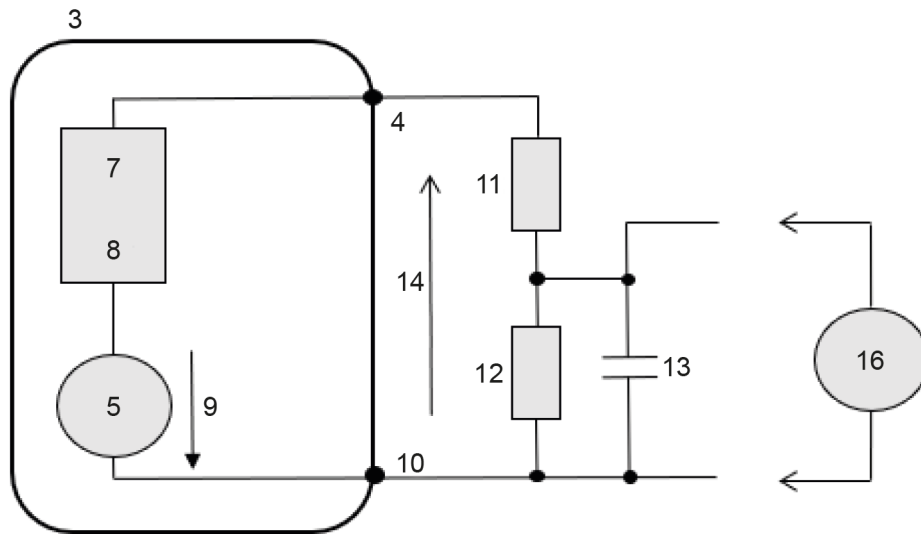
Key for Figure 1 to Figure 3

- 1 phase
- 2 neutral
- 3 IFLS (operating)
- 4 injection terminal
- 5 injection system
- 6 amperemeter or appropriate device
- 7 injection impedance Z_i
- 8 injection resistance R_i
- 9 locating current I_L
- 10 earth terminal
- 11 R_H first resistance of the voltage divider
- 12 R_T second resistance of the voltage divider
- 13 C_f anti-aliasing filter
- 14 U_1 calculated voltage for the locating voltage assessment
- 15 U_B measured voltage for the locating current assessment
- 16 voltmeter with peak measurement capabilities for the peak measurement and a voltmeter with RMS measurement capabilities for the RMS measurement
- 17 R_S first resistance of the voltage divider representing resistance of human skin
- 18 R_B second resistance of the voltage divider representing resistance of a human body



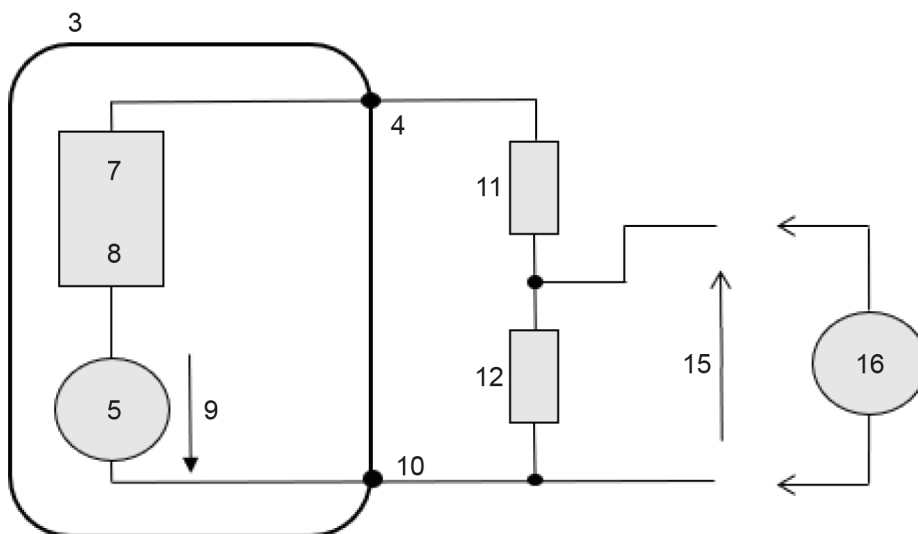
IEC

Figure 1 – Test configuration: I_L driven directly from the system to be monitored



IEC

Figure 2 – Test configuration: Active locating source



IEC

Figure 3 – Test configuration for current testing: Active locating source is used with a locating voltage above 50 V AC RMS and 70 V peak or 120 V DC

U_B shall be less than $I_{limit\ AC} \times 500\ \Omega$ for $f \geq 15\ Hz$, measured with a voltmeter in peak mode for the peak measurement and in the RMS mode for the RMS measurement. For the peak measurement, the voltmeter shall have a maximum response time of 250 μs .

U_B shall be less than $I_{limit\ AC} \times 500\ \Omega\ V$ for $f < 15\ Hz$, measured with a voltmeter in a peak mode. The voltmeter shall have a maximum response time of 250 μs .

NOTE 3 A conformity assessment can be used to consider both the device and its related user documentation. A third-party body can use the above test configuration or any other relevant test configuration.

6.2.4 Test of the location warning

Compliance with the requirements given in 4.2.1 shall be verified in accordance with the test specification of the manufacturer which shall be documented.

6.2.5 Test of the indication of the insulation value

If an indication of the insulation value is provided, compliance with 4.3.1 shall be verified in accordance with the test specification of the manufacturer which shall be documented.

6.2.6 Verification of insulation coordination

Compliance with the requirements for the clearance and creepage distances and insulation in 4.5.1 shall be performed in accordance with IEC 61010-1.

6.2.7 Test of the electromagnetic compatibility (EMC)

The electromagnetic compatibility shall be tested in accordance with IEC 61326-2-4.

6.2.8 Test of the loss of LCS connection

If a test of the loss of the connection of LCS function is implemented, the requirements of 4.3.2 shall be verified by the interruption of the connection. Compliance with the requirements shall be verified by visual or audible inspection.

For this test, interruption and short circuit of the connection shall be simulated.

6.2.9 Test of the protection class and of the earth connection of the IFLS

Compliance with IEC 61010-1 shall be verified if the earth connection of the IFLS is intended for protective earthing purposes.

6.2.10 Inspection of the marking and operating instructions

Compliance with the requirements given in 5.1 and 5.2 shall be verified by visual inspection.

6.2.11 Mechanical test

6.2.11.1 Shock and vibration test

Shock and vibration tests shall be performed according to Table 7.

Table 7 – Product mechanical test

Mechanical robustness, in operation test	Standard and level	Test parameters	Other information
Behaviour to vibrations	IEC 60068-2-6 Test Fc	2 Hz to 13,2 Hz – amplitude ± 1 mm 13,2 Hz to 100 Hz – acceleration $\pm 0,7$ g. For severe vibration conditions such as for example diesel engines, air compressors etc.: 2,0 Hz to 25,0 Hz – amplitude $\pm 1,6$ mm 25,0 Hz to 100 Hz – acceleration ± 4 g	Duration in case of no resonance condition 9 min at 30 Hz. Duration at each resonance frequency at which $Q \geq 2$ is recorded: 90 min. During the vibration test, functional tests are to be carried out. Tests are to be carried out in three mutually perpendicular planes. As a guide, it is recommended that Q does not exceed 5. Where a sweep test is to be carried out instead of the discrete frequency test and a number of resonant frequencies are detected close to each other, the duration of the test is to be 120 min. Sweep over a restricted frequency range between 0,8 times and 1,2 times the critical frequencies can be used where appropriate. NOTE Critical frequency is a frequency at which the equipment being tested can exhibit: <ul style="list-style-type: none"> – malfunction and/or performance deterioration – mechanical resonances and/or other response effects occur, for example chatter.
Behaviour to shocks	IEC 60068-2-27, Test Ea	10 g_n / 11 ms, 3 pulses	

6.2.11.2 Validation of the IP requirements

The requirements of 4.7.2 shall be verified by visual inspection.

6.2.12 Record of the type test

The results of the type test shall be documented.

6.3 Routine tests

6.3.1 General

Routine tests shall be performed on each IFLS.

6.3.2 Voltage test

The voltage tests of insulation fault location systems shall be performed in accordance with IEC 61010-1:2010, Annex F.

6.3.3 Recording of routine tests

The compliance with the tests of 6.3 should be recorded.

7 Overview of requirements and tests for IFLS

Table 8 gives an overview of the requirements for IFLS and the tests that shall be performed for IFLS.

Table 8 – Requirements and tests on IFLSs

Characteristics	Requirements	Type tests	Routine tests
Local location warning	4.2.2	6.2.4	Not applicable
Remote location warning	4.2.3	6.2.4	Not applicable
Indication of the insulation value	4.3.1	6.2.5	Not applicable
Alarm in case of the interruption of the loss of the connection to the LCS	4.3.2	6.2.8	Not applicable
Self-test	4.3.3	---	Not applicable
Response sensitivity	4.4.1	6.2.2	Not applicable
Locating current	4.4.2	6.2.3	Not applicable
Locating voltage	4.4.2	6.2.3	Not applicable
EMC	4.6	6.2.7	Not applicable
Clearance and creepage distances	4.5.1	6.2.6	6.3.2
Insulation coordination			
Voltage test			
Protection class and earth connection	4.5.2	6.2.9	Not applicable
Climatic environmental conditions	4.8	6.2.1	Not applicable
Mechanical requirements	4.7	6.2.11	Not applicable
Marking and operating instructions	Clause 5	6.2.10	Not applicable

Annex A (normative)

Insulation fault location system in medical locations (MED-IFLS)

A.1 General

This annex gives additional requirements for the insulation fault location system that is used in unearthed AC IT systems of group 2 medical locations in accordance with IEC 60364-7-710.

A.2 Requirements

A.2.1 General

In addition to the requirements of Clause 4, the following requirements apply. These requirements and the relevant type and routine tests are given in Table A.1.

A.2.2 Performance requirements

A.2.2.1 Response sensitivity

The minimum response sensitivity shall be $50 \text{ k}\Omega$ or $U_n / 50 \text{ k}\Omega$ at a total upstream system leakage capacitance (sum of the leakage capacitances of all phase conductors to earth) of $0,5 \text{ }\mu\text{F}$.

A.2.2.2 Locating current I_L

The locating current I_L shall not exceed the maximum admissible locating AC current $I_{\text{limit AC}}$ of 1 mA peak and/or 1 mA RMS for frequencies greater than 15 Hz and it shall not exceed the maximum admissible locating DC current $I_{\text{limit DC}}$ of 1 mA peak for frequencies less than 15 Hz or DC.

A.2.2.3 Locating voltage U_L

If an active locating voltage U_L or locating current I_L is used, the locating voltage U_L shall not exceed the maximum admissible locating AC voltage $U_{\text{limit AC}}$ of $35,5 \text{ V}$ peak and 25 V RMS, and the maximum admissible locating DC voltage $U_{\text{limit DC}}$ of $35,5 \text{ V}$ peak.

A.2.2.4 Response time t_{aI}

The response time under the conditions of A.3.3 shall be stated by the manufacturer.

A.2.2.5 Indication of the fault location

Information that indicates in which circuit the insulation fault has been detected shall be given.

A.2.3 Electromagnetic compatibility

In addition to the requirements of 4.6, the following applies:

The MED-IFLS shall be in accordance with IEC 61326-1:2020, 7.2, Group 1, Class B equipment for emission and with the performance criteria in accordance with IEC 61326-2-4.

NOTE IEC 60364-7-710 provides the definitions for medical location groups.

A.3 Additional tests

A.3.1 General

In addition to the tests of Clause 6, the tests of A.3.2 to A.3.4 shall apply.

A.3.2 Test of the performance requirements

A.3.2.1 Response sensitivity

The response sensitivity shall be tested according to 6.2.2, under consideration of the requirements of A.2.2.2.

A.3.2.2 Locating current

The compliance with the requirements in A.2.2.2 shall be verified according to 6.2.3.

NOTE A conformity assessment can be used to consider both the device and its related user documentation. A third-party body can use the above test configuration or any other relevant test configuration.

A.3.2.3 Locating voltage

The locating voltage shall be tested under consideration of the requirements of A.2.2.3 according to 6.2.3.

NOTE A conformity assessment can be used to consider both the device and its related user documentation. A third-party body can use the above test configuration or any other relevant test configuration.

A.3.3 Test of the response time

The response time shall be tested at the nominal system voltage and at a total system leakage capacitance of 0,5 μF symmetrically distributed from all phase conductors upstream of the locating current sensor by suddenly reducing the insulation resistance from nearly infinity to 25 k Ω under consideration of the requirements of A.2.2.4 (type test).

A.3.4 Test of the electromagnetic compatibility (EMC)

Tests for the electromagnetic compatibility shall be performed according to 6.2.7 while also adhering to the requirements of A.2.3 and Table A.2 (type test).

Table A.1 – Additional requirements applicable to MED-IFLS

	Requirements for type tests	Requirements for routine tests
Response sensitivity	6.2.2 and A.2.2.1	Not applicable
Locating current I_L	6.2.3, A.2.2.2 and A.3.2.2	
Locating voltage U_L	6.2.3, A.2.2.3 and A.3.2.3	
Response time t_{al}	A.2.2.4 and A.3.3	

Table A.2 – Emission test for MED-IFLS

Test No.	Access	Test	Specification	Class	Comment	Basic Standard
1	Complete device	Radiated disturbance emission	30 MHz to 230 MHz 230 MHz to 1 000 MHz	B	At rated voltage	IEC 61326-1:2020, 7.2
2	Supply connections and main connections	Conducted disturbance emission	150 kHz to 30 MHz	B	At rated voltage	IEC 61326-1:2020, 7.2

Annex B (normative)

Portable equipment for insulation fault location

B.1 General

This annex gives additional requirements for portable equipment for insulation fault location (PIFL) that is used in unearthed IT systems. This portable equipment can be used instead of, or in combination with, fixed equipment for insulation fault location.

B.2 Additional requirements

B.2.1 General

In addition to the requirements of Clause 4, the requirements of B.2.2 apply.

B.2.2 Performance requirements

B.2.2.1 Portable locating current sensor (PLCS)

If an PLCS is used as the locating current sensor, it shall be in accordance with IEC 61010-2-032. The PLCS shall be a current sensor type A in accordance with IEC 61010-2-032.

B.2.2.2 Probe assemblies

If hand-held probe assemblies or assemblies for the connection of the portable devices to the system to be monitored are used, they shall be in accordance with IEC 61010-031.

The probe assemblies shall be of type A in accordance with IEC 61010-031.

B.3 Marking and operating instructions

In addition to the requirements regarding information in Clause 5, the following information shall be included in the operating instructions:

- information on the influence of electro-magnetic fields in the vicinity of the locating current sensor;
- information on the influence of the load current in the current carrying parts of the system to which the locating current sensor shall be applied;
- information shall be added where the locating current sensor for example is erroneously applied to one single DC load current carrying conductor, because it is possible that the locating current sensor may only be removed after switching-off the load current in the system.

B.4 Additional tests

In addition to the tests of Clause 6, the following tests shall be performed:

- 6.2.7 does not apply, instead tests of the electromagnetic compatibility on portable equipment for insulation fault location shall be performed in accordance with IEC 61326-2-2, but with the performance criteria in accordance with IEC 61326-2-4;
- the requirements of Clause B.2 and Clause B.3 shall be met.

Annex C (informative)

Example of an IFLS and explanation of upstream and downstream system leakage capacitances

C.1 Examples for the functions of an IFLS

An IFLS usually comprises several functions:

- an IMD in accordance with IEC 61557-8;
- an LCI, portable or permanently installed;
- an LCS, for example differential current transformer or differential current clamp, used for the detection of the locating current and is connected to the IFL;
- an IFL, portable or permanently installed: the locating current sensors are connected to the insulation fault locator (IFL) to detect the locating current.

These functions may be performed either by single devices, one for each function; or all functions can be integrated into one single device. Likewise, some or all functions can be integrated into an IMD in accordance with IEC 61557-8; or into combined devices that fulfil additional monitoring functions.

The LCI can be a passive locating current injector (PLCI) or an active locating current injector (ALCI). In the case of a passive device, the locating current is driven by the voltage to earth of the system to be monitored and is limited by the LCI to the maximum locating current. In an active test device, the locating current is generated by an independent active voltage or current source inside the test device.

The IMD, LCI and IFL can either comprise single devices or all or some of the functions of each device may be integrated into one single device.

The PIFL may be used together with a fixed installed LCI or a portable LCI can be used.

NOTE For an explanation of the abbreviated terms used in Figure C.1, see Table 1 in 3.2.

Figure C.1 shows an example of an IFLS comprising several devices.

Key for Figure C.1 and Figure C.2

1	T	Transformer
2	IMD	Insulation monitoring device
3	LCI	Locating current injector
4	PIFL	Portable equipment for insulation fault location
5	IFL	Insulation fault locator
6	PLCS	Portable locating current sensor
7	LCS	Locating current sensor
8	I_L	Locating current
9	R_F	Insulation resistance
10	C_{Lu}	System leakage capacitance upstream of the locating current sensor
11	C_{Ld}	System leakage capacitance downstream of the locating current sensor

C.2 Upstream and downstream system leakage capacitance

Figure C.2 shows the upstream and downstream system leakage capacitance.

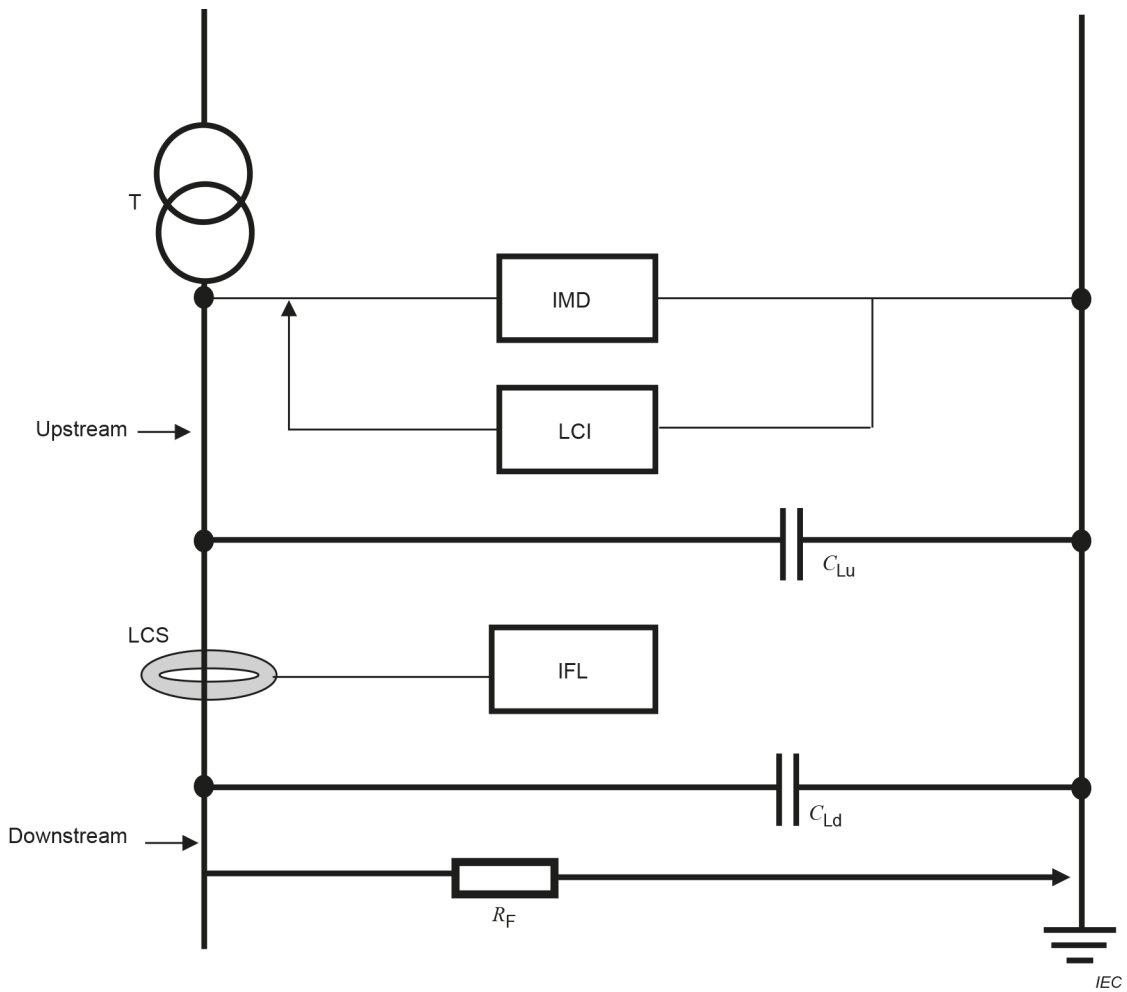


Figure C.2 – Explanation of upstream and downstream system leakage capacitance

Bibliography

IEC 60364-4-41:2005, *Low-voltage electrical installations – Part 4-41: Protection for safety – Protection against electric shock*
IEC 60364-4-41:2005/AMD1:2017

IEC 60364-5-53:2019, *Low-voltage electrical installations – Part 5-53: Selection and erection of electrical equipment – Devices for protection for safety, isolation, switching, control and monitoring*
IEC 60364-5-53:2019/AMD1:2020

IEC 60479-1:2018, *Effects of current on human beings and livestock – Part 1: General aspects*

IEC 60664 (all parts), *Insulation coordination for equipment within low-voltage supply systems*

IEC 60664-1, *Insulation coordination for equipment within low-voltage supply systems – Part 1: Principles, requirements and tests*

IEC 60664-3, *Insulation coordination for equipment within low-voltage systems – Part 3: Use of coating, potting or moulding for protection against pollution*

IEC 61557-15, *Electrical safety in low voltage distribution systems up to 1 000 V AC and 1 500 V DC – Equipment for testing, measuring or monitoring of protective measures – Part 15: Functional safety requirements for insulation monitoring devices in IT systems and equipment for insulation fault location in IT systems*

IEC 61810-2:2017, *Electromechanical elementary relays – Part 2: Reliability*

SOMMAIRE

AVANT-PROPOS	37
1 Domaine d'application	39
2 Références normatives	39
3 Termes, définitions et abréviations	41
3.1 Termes, définitions, symboles et unités	41
3.2 Abréviations et symboles	44
4 Exigences	45
4.1 Exigences générales	45
4.2 Fonctions assurées par un DLD	46
4.2.1 Alarme de localisation de défaut	46
4.2.2 Alarme locale de localisation de défaut (ALLD)	46
4.2.3 Alarme distante de localisation de défaut (ADLD)	46
4.3 Fonctions facultatives assurées par un DLD	46
4.3.1 Indication de la valeur d'isolement	46
4.3.2 Alarme en cas de coupure ou de perte de la connexion au capteur de courant de localisation (CCL)	46
4.3.3 Autotest	46
4.4 Exigences de performance	47
4.4.1 Sensibilité de déclenchement	47
4.4.2 Courant de localisation, I_L , et tension de localisation, U_L	47
4.4.3 Tension nominale admissible en permanence, U_{pa}	47
4.4.4 Tension d'alimentation, U_S	48
4.5 Exigences de sécurité	48
4.5.1 Distances d'isolement et lignes de fuite	48
4.5.2 Classe de protection et connexion de terre d'un DLD	48
4.6 Compatibilité électromagnétique	48
4.7 Exigences mécaniques	48
4.7.1 Robustesse mécanique du produit	48
4.7.2 Exigences relatives aux classes de protection IP	49
4.8 Conditions climatiques ambiantes	49
5 Marquage et instructions de fonctionnement	49
5.1 Marquage	49
5.2 Instructions de fonctionnement	50
6 Essais	50
6.1 Généralités	50
6.2 Essais de type	51
6.2.1 Essais climatiques	51
6.2.2 Essai de sensibilité de déclenchement du DLD	51
6.2.3 Essai du courant de localisation, I_L , et de la tension de localisation, U_L	52
6.2.4 Essai de l'alarme de localisation de défaut	56
6.2.5 Essai de l'indication de la valeur d'isolement	56
6.2.6 Vérification de la coordination de l'isolement	56
6.2.7 Essai de la compatibilité électromagnétique (CEM)	56
6.2.8 Essai de la perte de connexion du CCL	56
6.2.9 Essai de la classe de protection et de la connexion de terre du DLD	56
6.2.10 Inspection du marquage et des instructions de fonctionnement	56

6.2.11	Essai mécanique	56
6.2.12	Enregistrement de l'essai de type	57
6.3	Essais individuels de série	57
6.3.1	Généralités	57
6.3.2	Essai de tension	57
6.3.3	Enregistrement des essais individuels de série	57
7	Vue d'ensemble des exigences et des essais pour un DLD	58
Annexe A (normative) Dispositif de localisation de défauts d'isolement dans les locaux à usages médicaux (DLD-MED)		
A.1	Généralités	59
A.2	Exigences	59
A.2.1	Généralités	59
A.2.2	Exigences de performance	59
A.2.3	Compatibilité électromagnétique	60
A.3	Essais supplémentaires	60
A.3.1	Généralités	60
A.3.2	Essais des exigences de performance	60
A.3.3	Essai du temps de réponse	60
A.3.4	Essai de la compatibilité électromagnétique (CEM)	60
Annexe B (normative) Localisateur portable de défauts d'isolement		
B.1	Généralités	62
B.2	Exigences supplémentaires	62
B.2.1	Généralités	62
B.2.2	Exigences de performance	62
B.3	Marquage et instructions de fonctionnement	62
B.4	Essais supplémentaires	62
Annexe C (informative) Exemple de DLD et explication des capacités de fuite du réseau amont et aval		
C.1	Exemples de fonctions d'un DLD	63
C.2	Capacité de fuite du réseau amont et aval	65
Bibliographie		66
Figure 1 – Configuration d'essai: I_L commandé directement à partir du réseau à surveiller		
		54
Figure 2 – Configuration d'essai: Source de localisation active		
		55
Figure 3 – Configuration d'essai pour l'essai de courant: une source de localisation active est utilisée avec une tension de localisation supérieure à 50 V efficaces en courant alternatif et 70 V crête ou 120 V en courant continu		
		55
Figure C.1 – Exemple de DLD		
		64
Figure C.2 – Explication de la capacité de fuite du réseau amont et aval		
		65
Tableau 1 – Abréviations et symboles		
		44
Tableau 2 – Exigences IP minimales pour un DLD		
		49
Tableau 3 – Conditions de référence pour les essais		
		51
Tableau 4 – Essais climatiques en fonctionnement		
		51
Tableau 5 – Essais climatiques pour le stockage		
		51
Tableau 6 – Liste des conditions d'essai (TC)		
		52

Tableau 7 – Essai mécanique du produit.....	57
Tableau 8 – Exigences et essais sur les DLD.....	58
Tableau A.1 – Exigences supplémentaires applicables au DLD-MED.....	61
Tableau A.2 – Essai d'émission pour le DLD-MED.....	61

COMMISSION ÉLECTROTECHNIQUE INTERNATIONALE

**SÉCURITÉ ÉLECTRIQUE DANS LES RÉSEAUX DE DISTRIBUTION
BASSE TENSION AU PLUS ÉGALE À 1 000 V C.A. ET 1 500 V C.C. –
DISPOSITIFS DE CONTRÔLE, DE MESURE OU DE SURVEILLANCE
DE MESURES DE PROTECTION –****Partie 9: Dispositifs de localisation de défauts
d'isolement pour réseaux IT**

AVANT-PROPOS

- 1) La Commission Électrotechnique Internationale (IEC) est une organisation mondiale de normalisation composée de l'ensemble des comités électrotechniques nationaux (Comités nationaux de l'IEC). L'IEC a pour objet de favoriser la coopération internationale pour toutes les questions de normalisation dans les domaines de l'électricité et de l'électronique. À cet effet, l'IEC – entre autres activités – publie des Normes internationales, des Spécifications techniques, des Rapports techniques, des Spécifications accessibles au public (PAS) et des Guides (ci-après dénommés "Publication(s) de l'IEC"). Leur élaboration est confiée à des comités d'études, aux travaux desquels tout Comité national intéressé par le sujet traité peut participer. Les organisations internationales, gouvernementales et non gouvernementales, en liaison avec l'IEC, participent également aux travaux. L'IEC collabore étroitement avec l'Organisation Internationale de Normalisation (ISO), selon des conditions fixées par accord entre les deux organisations.
- 2) Les décisions ou accords officiels de l'IEC concernant les questions techniques représentent, dans la mesure du possible, un accord international sur les sujets étudiés, étant donné que les Comités nationaux de l'IEC intéressés sont représentés dans chaque comité d'études.
- 3) Les Publications de l'IEC se présentent sous la forme de recommandations internationales et sont agréées comme telles par les Comités nationaux de l'IEC. Tous les efforts raisonnables sont entrepris afin que l'IEC s'assure de l'exactitude du contenu technique de ses Publications; l'IEC ne peut pas être tenue responsable de l'éventuelle mauvaise utilisation ou interprétation qui en est faite par un quelconque utilisateur final.
- 4) Dans le but d'encourager l'uniformité internationale, les Comités nationaux de l'IEC s'engagent, dans toute la mesure possible, à appliquer de façon transparente les Publications de l'IEC dans leurs publications nationales et régionales. Toutes divergences entre toutes Publications de l'IEC et toutes publications nationales ou régionales correspondantes doivent être indiquées en termes clairs dans ces dernières.
- 5) L'IEC elle-même ne fournit aucune attestation de conformité. Des organismes de certification indépendants fournissent des services d'évaluation de conformité et, dans certains secteurs, accèdent aux marques de conformité de l'IEC. L'IEC n'est responsable d'aucun des services effectués par les organismes de certification indépendants.
- 6) Tous les utilisateurs doivent s'assurer qu'ils sont en possession de la dernière édition de cette publication.
- 7) Aucune responsabilité ne doit être imputée à l'IEC, à ses administrateurs, employés, auxiliaires ou mandataires, y compris ses experts particuliers et les membres de ses comités d'études et des Comités nationaux de l'IEC, pour tout préjudice causé en cas de dommages corporels et matériels, ou de tout autre dommage de quelque nature que ce soit, directe ou indirecte, ou pour supporter les coûts (y compris les frais de justice) et les dépenses découlant de la publication ou de l'utilisation de cette Publication de l'IEC ou de toute autre Publication de l'IEC, ou au crédit qui lui est accordé.
- 8) L'attention est attirée sur les références normatives citées dans cette publication. L'utilisation de publications référencées est obligatoire pour une application correcte de la présente publication.
- 9) L'IEC attire l'attention sur le fait que la mise en application du présent document peut entraîner l'utilisation d'un ou de plusieurs brevets. L'IEC ne prend pas position quant à la preuve, à la validité et à l'applicabilité de tout droit de propriété revendiqué à cet égard. À la date de publication du présent document, l'IEC n'avait pas reçu notification qu'un ou plusieurs brevets pouvaient être nécessaires à sa mise en application. Toutefois, il y a lieu d'avertir les responsables de la mise en application du présent document que des informations plus récentes sont susceptibles de figurer dans la base de données de brevets, disponible à l'adresse <https://patents.iec.ch>. L'IEC ne saurait être tenue pour responsable de ne pas avoir identifié de tels droits de brevets.

L'IEC 61557-9 a été établie par le comité d'études 85 de l'IEC: Équipement de mesure des grandeurs électriques et électromagnétiques. Il s'agit d'une Norme internationale.

Cette quatrième édition annule et remplace la troisième édition parue en 2014. Cette édition constitue une révision technique.

Cette édition inclut les modifications techniques majeures suivantes par rapport à l'édition précédente:

- a) ajout de nouveaux termes et de nouvelles définitions sur les courants et tensions, alternatifs et continus, de localisation maximaux admissibles;
- b) révision des exigences relatives au courant de localisation et à la tension de localisation;
- c) ajout d'exigences de performance;
- d) révision des exigences d'essai pour le courant de localisation et la tension de localisation;
- e) modification de la structure du présent document pour s'adapter à l'IEC 61557-1:2019;
- f) modification des valeurs limites de l'Article A.2 pour s'adapter aux méthodes d'essai modifiées en 6.2.3.

Le texte de cette Norme internationale est issu des documents suivants:

Projet	Rapport de vote
85/896/FDIS	85/901/RVD

Le rapport de vote indiqué dans le tableau ci-dessus donne toute information sur le vote ayant abouti à son approbation.

La langue employée pour l'élaboration de cette Norme internationale est l'anglais.

Ce document a été rédigé selon les Directives ISO/IEC, Partie 2, il a été développé selon les Directives ISO/IEC, Partie 1 et les Directives ISO/IEC, Supplément IEC, disponibles sous www.iec.ch/members_experts/refdocs. Les principaux types de documents développés par l'IEC sont décrits plus en détail sous www.iec.ch/publications.

Une liste de toutes les parties de la série IEC 61557, publiées sous le titre général *Sécurité électrique dans les réseaux de distribution basse tension au plus égale à 1 000 V c.a. et 1 500 V c.c. – Dispositifs de contrôle, de mesure ou de surveillance de mesures de protection*, peut être consultée sur le site Web de l'IEC.

Le comité a décidé que le contenu de ce document ne sera pas modifié avant la date de stabilité indiquée sur le site Web de l'IEC sous webstore.iec.ch dans les données relatives au document recherché. À cette date, le document sera:

- reconduit,
- supprimé,
- révisé.

SÉCURITÉ ÉLECTRIQUE DANS LES RÉSEAUX DE DISTRIBUTION BASSE TENSION AU PLUS ÉGALE À 1 000 V C.A. ET 1 500 V C.C. – DISPOSITIFS DE CONTRÔLE, DE MESURE OU DE SURVEILLANCE DE MESURES DE PROTECTION –

Partie 9: Dispositifs de localisation de défauts d'isolement pour réseaux IT

1 Domaine d'application

La présente partie de l'IEC 61557 spécifie les exigences applicables aux dispositifs de localisation de défauts d'isolement (DLD) qui, indépendamment du principe de mesure, peuvent localiser les défauts d'isolement des parties de réseaux IT à courant alternatif non mis à la terre et des réseaux IT à courant alternatif non mis à la terre comprenant des circuits à courant continu reliés galvaniquement dont les tensions nominales sont au plus égales à 1 000 V en courant alternatif, et de réseaux IT à courant continu non mis à la terre dont les tensions sont au plus égales à 1 500 V en courant continu.

NOTE 1 Les réseaux IT sont décrits dans l'IEC 60364-4-41. D'autres informations sur la localisation de défauts d'isolement peuvent être consultées dans les Normes internationales suivantes: IEC 60364-4-41:2005, 411.6, IEC 60364-4-41:2005/A1:2017, 411.6, et IEC 60364-5-53:2019/A1:2020, 531.3.

NOTE 2 Le présent document couvre aussi bien les DLD passifs que les DLD actifs. Les DLD actifs peuvent être utilisés dans les réseaux hors tension.

NOTE 3 Le présent document ne vise pas les CPI conformes à l'IEC 61557-8.

2 Références normatives

Les documents suivants sont cités dans le texte de sorte qu'ils constituent, pour tout ou partie de leur contenu, des exigences du présent document. Pour les références datées, seule l'édition citée s'applique. Pour les références non datées, la dernière édition du document de référence s'applique (y compris les éventuels amendements).

IEC 60068-2-1:2007, *Essais d'environnement – Partie 2-1: Essais – Essai A: froid*

IEC 60068-2-2:2007, *Essais d'environnement – Partie 2-2: Essais – Essai B: chaleur sèche*

IEC 60068-2-6, *Essais d'environnement – Partie 2-6: Essais – Essai Fc: vibrations (sinusoïdales)*

IEC 60068-2-27:2008, *Essais d'environnement – Partie 2-27: Essais – Essai Ea et guide: chocs*

IEC 60364-7-710:2021, *Installations électriques à basse tension – Partie 7-710: Exigences pour les installations ou emplacements spéciaux – Locaux à usages médicaux*

IEC 60529, *Degrés de protection procurés par les enveloppes (code IP)*

IEC 60721-3-1:2018, *Classification des conditions d'environnement – Partie 3-1: Classification des groupements des agents d'environnement et de leurs sévérités – Stockage*

IEC 60721-3-2:2018, *Classification des conditions d'environnement – Partie 3-2: Classification des groupements des agents d'environnement et de leurs sévérités – Transport et manutention*

IEC 60721-3-3:2019, *Classification des conditions d'environnement – Partie 3-3: Classification des groupements des agents d'environnement et de leurs sévérités – Utilisation à poste fixe, protégé contre les intempéries*

IEC 60947-5-1:2016, *Appareillage à basse tension – Partie 5-1: Appareils et éléments de commutation pour circuits de commande – Appareils électromécaniques pour circuits de commande*

IEC 60947-5-4:2002, *Appareillage à basse tension – Partie 5-4: Appareils et éléments de commutation pour circuits de commande – Méthode d'évaluation des performances des contacts à basse énergie – Essais spéciaux*
IEC 60947-5-4:2002/A1:2019

IEC 61010-1:2010, *Règles de sécurité pour appareils électriques de mesure, de régulation et de laboratoire – Partie 1: Exigences générales*
IEC 61010-1:2010/A1:2016

IEC 61010-2-030, *Exigences de sécurité pour appareils électriques de mesure, de régulation et de laboratoire – Partie 2-030: Exigences particulières pour les appareils équipés de circuits d'essai ou de mesure*

IEC 61010-031, *Exigences de sécurité pour appareils électriques de mesure, de régulation et de laboratoire – Partie 031: Exigences de sécurité pour sondes équipées tenues à la main et manipulées pour mesure et essais électriques*

IEC 61010-2-032, *Exigences de sécurité pour appareils électriques de mesure, de régulation et de laboratoire – Partie 2-032: Exigences particulières pour les capteurs de courant, portatifs et manipulés manuellement, pour essai électrique et mesure*

IEC 61140, *Protection contre les chocs électriques – Aspects communs aux installations et aux matériels*

IEC 61326-1:2020, *Matériel électrique de mesure, de commande et de laboratoire – Exigences relatives à la CEM – Partie 1: Exigences générales*

IEC 61326-2-2, *Matériel électrique de mesure, de commande et de laboratoire – Exigences relatives à la CEM – Partie 2-2: Exigences particulières – Configurations d'essai, conditions de fonctionnement et critères de performance des matériels portables d'essai, de mesure et de surveillance utilisés dans des réseaux de distribution à basse tension*

IEC 61326-2-4, *Matériel électrique de mesure, de commande et de laboratoire – Exigences relatives à la CEM – Partie 2-4: Exigences particulières – Configurations d'essai, conditions de fonctionnement et critères de performance pour les contrôleurs d'isolement conformes à l'IEC 61557-8 et pour les dispositifs de localisation de défaut d'isolement conformes à l'IEC 61557-9*

IEC 61557-1:2019, *Sécurité électrique dans les réseaux de distribution basse tension au plus égale à 1 000 V c.a. et 1 500 V c.c. – Dispositifs de contrôle, de mesure ou de surveillance de mesures de protection – Partie 1: Exigences générales*

IEC 61557-8:2014, *Sécurité électrique dans les réseaux de distribution basse tension de 1 000 V c.a. et 1 500 V c.c. – Dispositifs de contrôle, de mesure ou de surveillance de mesures de protection – Partie 8: Contrôleurs d'isolement pour réseaux IT*

IEC 61810-2:2017, *Relais électromécaniques élémentaires – Partie 2: Fiabilité*

3 Termes, définitions et abréviations

3.1 Termes, définitions, symboles et unités

Pour les besoins du présent document, les termes et définitions donnés dans l'IEC 61557-1, l'IEC 61557-8, ainsi que les suivants, s'appliquent.

L'ISO et l'IEC tiennent à jour des bases de données terminologiques destinées à être utilisées en normalisation, consultables aux adresses suivantes:

- IEC Electropedia: disponible à l'adresse <https://www.electropedia.org/>
- ISO Online browsing platform: disponible à l'adresse <https://www.iso.org/obp>

3.1.1

dispositif de localisation de défauts d'isolement

DLD

dispositif, appareil ou combinaison de dispositifs utilisés pour la localisation de défauts d'isolement dans les réseaux IT

Note 1 à l'article: La fonctionnalité d'un DLD peut être utilisée en complément de la fonctionnalité de contrôle d'isolement. Elle injecte un courant de localisation entre le réseau électrique et la terre et localise le défaut d'isolement.

3.1.2

courant de localisation

I_L

courant qui est injecté par l'injecteur du courant de localisation pendant la phase de localisation

Note 1 à l'article: Le courant de localisation peut être généré par:

- une source de localisation active avec une impédance interne suffisamment grande utilisant une source de tension indépendante différente du réseau à surveiller; ou
- une source de courant de localisation passive fourni directement à partir du réseau à surveiller.

3.1.3

tension de localisation

U_L

tension présente sur les bornes de mesure de l'injecteur du courant de localisation pendant le mesurage lorsque le dispositif dispose d'une source de localisation active

Note 1 à l'article: Dans un réseau de distribution hors tension et sans défaut, il s'agit de la tension qui se trouve entre les bornes du dispositif de localisation du réseau à surveiller et les bornes pour la connexion au conducteur PE.

3.1.4

sensibilité de déclenchement

valeur du courant de localisation ou de la résistance d'isolement à laquelle le localisateur de défaut d'isolement réagit dans des conditions données

Note 1 à l'article: La sensibilité de déclenchement peut être soit un seuil fixe, soit une courbe de réponse.

3.1.5

localisateur de défaut d'isolement

LDI

dispositif ou partie d'un dispositif dont la fonction est de localiser le défaut d'isolement

3.1.6

capteur de courant de localisation

CCL

capteur pour la détection du courant de localisation utilisé pour la localisation du défaut d'isolement

3.1.7**injecteur de courant de localisation****ICL**

dispositif ou partie d'un dispositif dont la fonction est d'injecter le courant de localisation dans le réseau IT afin de localiser le défaut d'isolement

3.1.8**injecteur de courant de localisation passif****ICLP**

injecteur de courant de localisation qui génère le courant de localisation directement à partir du réseau à surveiller

3.1.9**injecteur de courant de localisation actif****ICLA**

injecteur de courant de localisation qui génère le courant de localisation à partir d'une source de tension de localisation qui est différente du réseau à surveiller

3.1.10**dispositif de localisation de défauts d'isolement dans les locaux à usages médicaux****DLD-MED**

dispositif spécifique de localisation de défauts d'isolement destiné à situer les défauts d'isolement dans les réseaux IT des locaux à usages médicaux de groupe 2

Note 1 à l'article: Le DLD-MED est décrit dans l'IEC 61557-9:2023, Annexe A.

Note 2 à l'article: Les locaux à usages médicaux sont définis dans l'IEC 60364-7-710.

3.1.11**temps de réponse** t_{al}

temps nécessaire à un dispositif de localisation de défauts d'isolement pour réagir dans des conditions de performance spécifiées

Note 1 à l'article: Les exigences de conditions peuvent être consultées dans l'IEC 61557-9:2023, A.2.2.4.

3.1.12**locaux à usages médicaux de groupe 2**

locaux à usages médicaux dans lesquels les appareils EM ou les systèmes EM sont destinés à être utilisés de manière intrusive, externe ou invasive sur n'importe quelle partie du patient et dans lesquels la discontinuité de l'alimentation électrique (par exemple pour la protection contre les chocs électriques) constitue un risque pour la sécurité du patient

[SOURCE: IEC 60364-7-710:2021, 710.3.9, modifié – ajout de "locaux à usages médicaux de" au terme source "groupe 2"]

3.1.13**localisateur portable de défauts d'isolement****LPDI**

dispositif utilisé pour la localisation de défauts d'isolement de manière temporaire dans les réseaux IT à la place ou en complément des dispositifs de localisation de défauts d'isolement à installation fixe

Note 1 à l'article: Les exigences relatives aux LPDI sont définies à l'Annexe B du présent document.

3.1.14**capacité de fuite du réseau pour un DLD** C_{el}

valeur maximale de la capacité totale à la terre du réseau à surveiller, y compris tous les appareils connectés, jusqu'à laquelle le DLD peut fonctionner comme spécifié

Note 1 à l'article: La capacité de fuite du réseau est la somme des capacités de fuite de tous les conducteurs de phase, y compris le conducteur de neutre à la terre.

3.1.15**courant alternatif de localisation maximal admissible** $I_{\text{limite c.a.}}$

valeur de crête maximale du courant de localisation au-dessus d'un niveau de fréquence prédéfini

Note 1 à l'article: Les niveaux de fréquence et de courant sont issus de l'IEC 61140.

3.1.16**courant continu de localisation maximal admissible** $I_{\text{limite c.c.}}$

valeur de crête maximale du courant de localisation en dessous d'un niveau de fréquence prédéfini

Note 1 à l'article: Les niveaux de fréquence et de courant sont issus de l'IEC 61140.

3.1.17**tension alternative de localisation maximale admissible** $U_{\text{limite c.a.}}$

valeur de crête maximale de la tension de localisation au-dessus d'un niveau de fréquence prédéfini

Note 1 à l'article: Les niveaux de fréquence et de tension sont issus de l'IEC 61140.

3.1.18**tension continue de localisation maximale admissible** $U_{\text{limite c.c.}}$

valeur de crête maximale de la tension de localisation en dessous d'un niveau de fréquence prédéfini

Note 1 à l'article: Les niveaux de fréquence et de tension sont issus de l'IEC 61140.

3.1.19**résistance d'injection** R_i

résistance de l'injecteur de courant de localisation entre la borne d'injection et la borne de terre

3.1.20**impédance d'injection** Z_i

impédance totale de l'injecteur de courant de localisation entre la borne d'injection et la borne de terre, mesurée à la fréquence nominale

3.1.21**défaut d'isolement symétrique**

défaut dans l'isolation d'une installation ou d'un dispositif électriques qui crée un chemin résistif à la terre ayant approximativement la même résistance entre tous les conducteurs de phase et la terre

3.1.22

défaut d'isolement asymétrique

défaut dans l'isolation d'une installation ou d'un dispositif électriques qui crée un chemin résistif à la terre ayant différentes résistances entre tous les conducteurs de phase et la terre

3.2 Abréviations et symboles

Les abréviations et symboles répertoriés dans le Tableau 1 s'appliquent au présent document.

Tableau 1 – Abréviations et symboles

Abréviation ou symbole	Explication
C_{Ld}	Capacité de fuite du réseau en aval du capteur de courant de localisation
C_{Lu}	Capacité de fuite du réseau en amont du capteur de courant de localisation
C_{el}	Capacité de fuite du réseau pour un DLD
CEM	Compatibilité électromagnétique
FE	Terre fonctionnelle
g_n	Accélération normale de la pesanteur
LDI	Localisateur de défaut d'isolement
DLD	Dispositif de localisation de défauts d'isolement
I_L	Courant de localisation
CPI	Contrôleur permanent d'isolement
IP	Degré de protection procuré par une enveloppe
ICL	Injecteur de courant de localisation
CCL	Capteur de courant de localisation
ALLD	Alarme locale de localisation de défaut
PE	Conducteur de protection à la terre
LPDI	Localisateur portable de défauts d'isolement
ICLP	Injecteur de courant de localisation passif
ICLA	Injecteur de courant de localisation actif
CCLM	Capteur de courant de localisation mobile
Q	Facteur de qualité
R_F	Résistance d'isolement
ADLD	Alarme distante de localisation de défaut
RMS	Valeur efficace (<i>Root-mean-square value</i>)
T	Transformateur dans un réseau IT
$I_{limite\ c.a.}$	Courant alternatif de localisation maximal admissible
$I_{limite\ c.c.}$	Courant continu de localisation maximal admissible
$U_{limite\ c.a.}$	Tension alternative de localisation maximale admissible
$U_{limite\ c.c.}$	Tension continue de localisation maximale admissible
DLD-MED	Dispositif de localisation de défauts d'isolement dans les locaux à usages médicaux
t_{al}	Temps de réponse
ADLD	Alarme distante de localisation de défaut

Abréviation ou symbole	Explication
μF	Microfarad Le farad (symbole: F) est l'unité de capacité électrique issue du Système international d'unités (SI). 1 μF (microfarad, un millionième [10^{-6}] d'un farad)
U	Symbole de formule pour une tension dans l'unité SI "volt"
U_1	Tension calculée pour l'évaluation de la tension de localisation
U_B	Tension mesurée pour l'évaluation du courant de localisation
U_L	Tension de localisation
U_{pa}	Tension nominale admissible en permanence
U_n	Tension nominale du réseau
U_s	Tension d'alimentation
$\text{M}\Omega$	Mégohm L'ohm (symbole: Ω) est l'unité de résistance électrique issue du SI. 1 $\text{M}\Omega$ (mégohm) correspond à un million d'ohms
Z_i	Impédance d'injection Impédance totale du DLD entre les bornes du réseau et la terre, mesurée à la fréquence assignée, f_N
R_i	Résistance d'injection
R_H	Première résistance du diviseur de tension
R_T	Deuxième résistance du diviseur de tension
R_S	Première résistance du diviseur de tension représentant la résistance d'une peau humaine
R_B	Deuxième résistance du diviseur de tension représentant la résistance d'un corps humain
C_f	Capacité du filtre antirepliement
μs	Microseconde La seconde (symbole: s) est l'unité de base du temps dans le SI.
Fc	Essai Fc: vibrations (sinusoïdales)
Ea	Essai Ea et guide: chocs
nF	nanofarad Le farad (symbole: F) est l'unité de capacité électrique issue du SI.

4 Exigences

4.1 Exigences générales

Les dispositifs de localisation de défauts d'isolement doivent être en mesure de localiser, dans un réseau IT, les défauts d'isolement tant symétriques qu'asymétriques et de donner une alarme de localisation si la résistance d'isolement dans une partie de l'installation chute en dessous de la sensibilité de déclenchement.

Si le dispositif de localisation de défauts d'isolement possède une fonction d'autotest, celle-ci ne doit pas produire de défaut d'isolement à la terre.

Pour les exigences d'un dispositif de localisation de défauts d'isolement dans les locaux à usages médicaux, voir Annexe A.

Pour les exigences d'un localisateur portable de défauts d'isolement dans les locaux à usages médicaux, voir Annexe B.

4.2 Fonctions assurées par un DLD

4.2.1 Alarme de localisation de défaut

Un DLD doit comporter un dispositif d'alarme visuelle qui indique si un défaut d'isolement est détecté ou doit permettre la connexion à un tel dispositif pour l'indication d'un défaut d'isolement. Si des dispositifs de signalisation sonores à raccorder de l'extérieur sont fournis, ils peuvent être équipés d'un dispositif de réinitialisation. Dans ce cas, après l'élimination d'un défaut d'isolement ou la réinitialisation du dispositif, le signal sonore doit retentir si un nouveau défaut d'isolement se produit. L'alarme de localisation de défaut doit être une alarme locale de localisation de défaut et/ou une alarme distante de localisation de défaut.

4.2.2 Alarme locale de localisation de défaut (ALLD)

Cette fonction vise à émettre un signal d'alarme lorsque la résistance d'isolement entre le réseau et la terre chute en dessous de la valeur définie de déclenchement.

Cette fonction comprend la localisation d'un défaut d'isolement de réseau IT, y compris des défauts d'isolement symétrique et asymétrique, une évaluation de ce défaut et une alarme locale.

Il convient que l'alarme locale soit fournie par des indicateurs visuels ou par des signaux sonores supplémentaires générés par le produit qui met en œuvre la fonction.

NOTE Cette fonction est généralement assurée par le DLD.

4.2.3 Alarme distante de localisation de défaut (ADLD)

Cette fonction vise à émettre un signal d'alarme distante si la résistance d'isolement entre le réseau et la terre chute en dessous de la sensibilité de déclenchement.

Cette fonction comprend la localisation d'un défaut d'isolement de réseau IT, y compris des défauts d'isolement symétrique et asymétrique, une évaluation de ce défaut et une alarme distante.

Une sortie de contact de relais, une sortie de commutation électronique ou une communication de données peuvent être utilisées pour rapporter l'alarme à distance.

NOTE Dans certaines applications, la sortie d'alarme peut être utilisée pour la déconnexion.

4.3 Fonctions facultatives assurées par un DLD

4.3.1 Indication de la valeur d'isolement

Lorsqu'un DLD inclut des moyens pour indiquer la valeur d'isolement, l'incertitude de la valeur indiquée doit être indiquée par le fabricant.

4.3.2 Alarme en cas de coupure ou de perte de la connexion au capteur de courant de localisation (CCL)

Lorsqu'un DLD inclut une vérification périodique de la connexion à un ou plusieurs CCL, une indication doit être fournie en cas de perte de connexion.

4.3.3 Autotest

Un DLD peut posséder une fonction d'autotest. La vérification de la sensibilité de déclenchement par l'autotest n'est pas obligatoire.

4.4 Exigences de performance

4.4.1 Sensibilité de déclenchement

Les DLD doivent être conçus de telle sorte qu'ils soient en mesure de satisfaire à la sensibilité de déclenchement indiquée par le fabricant dans les conditions de réseau spécifiées, pour une capacité de fuite totale symétrique du réseau de 1 μF en amont du capteur de courant de localisation ($C_{Lu} = 1 \mu\text{F}$, $C_{Ld} = 0 \mu\text{F}$ conformément à la Figure C.2).

Le fabricant doit indiquer les informations relatives à l'influence des capacités de fuite du réseau supérieures à 1 μF sur la sensibilité de déclenchement ainsi que l'influence des possibles perturbations du réseau de distribution sur le processus de localisation de défauts d'isolement.

NOTE Pour plus d'informations sur les capacités amont et aval, voir Annexe C.

4.4.2 Courant de localisation, I_L , et tension de localisation, U_L

Si une source de courant de localisation passive est utilisée, le courant de localisation, I_L , doit être limité à 500 mA efficaces. Le courant de localisation ne doit pas dépasser 500 mA efficaces lors de défaillances de composants prévisibles dans l'injecteur de courant de localisation (ICL). Lorsque le courant de localisation est réglable, les changements involontaires du réglage doivent être empêchés par des moyens adaptés.

Si une source de localisation active est utilisée, il n'y a pas d'exigences supplémentaires concernant le courant de localisation, I_L , lorsque la valeur de la tension de localisation, U_L , ne dépasse pas:

- la tension continue de localisation maximale admissible, $U_{\text{limite c.c.}}$, de 120 V crête mesurée avec le circuit, qui a une résistance équivalente d'au moins 20 fois la résistance d'injection, si la fréquence du signal est inférieure à 15 Hz ou en courant continu;
- la tension alternative de localisation maximale admissible, $U_{\text{limite c.a.}}$, de 50 V efficaces et 70 V crête mesurée avec le circuit, qui a une résistance équivalente d'au moins 20 fois la résistance d'injection, si la fréquence du signal est supérieure ou égale à 15 Hz.

Pour les fréquences de signal inférieures à 15 Hz ou en courant continu, le courant continu de localisation maximal, $I_{\text{limite cc}}$, ne doit pas dépasser 10 mA crête, si la valeur de la tension de localisation, U_L , dépasse:

- la tension continue de localisation maximale admissible, $U_{\text{limite cc}}$, de 120 V crête mesurée avec le circuit, qui a une résistance équivalente d'au moins 20 fois la résistance d'injection.

Pour des fréquences de signal supérieures ou égales à 15 Hz, le courant alternatif de localisation maximal, $I_{\text{limite c.a.}}$, ne doit pas dépasser 3,5 mA efficaces et 5 mA crête si la valeur de la tension de localisation, U_L , dépasse:

- la tension alternative de localisation maximale admissible, $U_{\text{limite c.a.}}$, de 50 V efficaces et 70 V crête mesurées avec le circuit, qui a une résistance équivalente d'au moins 20 fois la résistance d'injection.

Dans certaines circonstances, pour les essais conformément à 6.2.3, l'impédance d'injection doit être prise en compte.

4.4.3 Tension nominale admissible en permanence, U_{pa}

La tension nominale admissible en permanence, U_{pa} , doit être d'au moins 105 % de la tension nominale, U_n , du réseau la plus élevée.

La tension nominale admissible en permanence, U_{pa} , s'applique entre les connexions réseau du DLD et entre les connexions réseau et la terre.

Si les DLD sont applicables dans des réseaux IT avec des fréquences différentes de la fréquence réseau nominale, par exemple 50 Hz/60 Hz, le fabricant doit fournir, dans les instructions de fonctionnement, des informations sur les tensions de réseau admissibles en permanence dans la plage de fréquences correspondante.

4.4.4 Tension d'alimentation, U_s

Pour les DLD sans connexions d'alimentation distinctes lorsque la tension d'alimentation, U_s , est extraite de la tension du réseau, U_n , la plage de fonctionnement de la tension d'alimentation, U_s , doit être égale à la plage de tension de la tension du réseau, U_n .

Pour les DLD avec connexions distinctes pour la tension d'alimentation, U_s , le fabricant doit fournir des informations sur la plage admissible de la tension d'alimentation, U_s .

4.5 Exigences de sécurité

4.5.1 Distances d'isolement et lignes de fuite

Un DLD doit avoir les distances d'isolement et les lignes de fuite minimales conformément à l'IEC 61010-1 et l'IEC 61010-2-030.

Les distances d'isolement et les lignes de fuite doivent être conformes:

- à la catégorie de surtension III conformément à l'IEC 61010-1;
- à la catégorie de mesure III conformément à l'IEC 61010-2-030;
- au degré de pollution 2.

Dans des applications spéciales où la surtension transitoire est limitée, par exemple en utilisant des transformateurs à séparation de protection, les circuits de mesure peuvent être conçus pour OVC II. Pour les appareils installés dans des environnements OVC II, l'isolation doit être conçue et les essais doivent être réalisés conformément à l'IEC 61010-1:2010, Article 6, et à l'IEC 61010-1:2010/A1:2016, Article 6.

NOTE Pour les caractéristiques de conception du circuit, voir IEC 61140.

4.5.2 Classe de protection et connexion de terre d'un DLD

La connexion de terre d'un composant ICL d'un DLD est une liaison de mesure et doit être traitée comme une mise à la terre fonctionnelle (FE). Si le DLD possède des parties accessibles qui sont mises à la terre pour des besoins de protection, ces connexions doivent être traitées comme des connexions de conducteur de protection (PE).

4.6 Compatibilité électromagnétique

Le DLD doit satisfaire aux exigences relatives à la CEM, conformément à l'IEC 61326-2-4.

4.7 Exigences mécaniques

4.7.1 Robustesse mécanique du produit

Les essais mécaniques selon 6.2.11 doivent être réussis sans défaillance.

4.7.2 Exigences relatives aux classes de protection IP

Le fabricant doit documenter la classe de protection IP du dispositif conformément à l'IEC 60529. Les exigences minimales sont données dans le Tableau 2, qui spécifie les exigences IP minimales pour les différentes sortes de boîtiers de DLD.

Tableau 2 – Exigences IP minimales pour un DLD

Sorte de DLD	Panneau frontal	Boîtier, à l'exception du panneau frontal
DLD à installation fixe Dispositifs montés sur panneau	IP 40	IP 2X
DLD à installation fixe Dispositifs modulaires enclenchés sur des rails DIN dans un panneau de distribution	IP 40	IP 2X
DLD à installation fixe Dispositifs de logement enclenchés sur des rails DIN dans un panneau de distribution	IP 2X	IP 2X
DLD mobile	IP 0	IP 40

4.8 Conditions climatiques ambiantes

Le DLD doit fonctionner au moins dans les conditions de température suivantes:

- fonctionnement: classe 3K22 conformément à l'IEC 60721-3-3:2019, –5 °C à +45 °C;
- transport: classe 2K11 conformément à l'IEC 60721-3-2:2018, –25 °C à +70 °C;
- stockage: classe 1K22 conformément à l'IEC 60721-3-1:2018, –25 °C à +55 °C.

5 Marquage et instructions de fonctionnement

5.1 Marquage

Outre le marquage défini dans l'IEC 61010-1 et l'IEC 61010-2-030, les DLD doivent porter les informations suivantes, le cas échéant:

- type de dispositif et marque de l'origine ou du nom du fabricant;
- type du réseau IT à surveiller (si le DLD est conçu pour un type spécifique de réseau IT);
- tension nominale du réseau, U_n , ou plage de la tension nominale;
- valeur nominale de la tension d'alimentation assignée, U_S , ou plage de la tension d'alimentation assignée;
- fréquence nominale de la tension d'alimentation assignée, U_S , et tension nominale, U_n , ou plage de fonctionnement des fréquences pour la tension d'alimentation assignée ou la tension nominale;
- numéro de série, année de fabrication ou désignation de type exigés sur l'extérieur et, si cela n'est pas possible, à l'intérieur du DLD.

Toutes les informations spécifiées en 5.1 doivent être marquées de manière indélébile sur le DLD.

5.2 Instructions de fonctionnement

En plus de l'IEC 61010-1 et de l'IEC 61010-2-030, les instructions d'utilisation doivent comporter les informations suivantes:

- valeurs efficaces ou crête maximales de la tension de localisation, U_L , dans les cas où elle est indépendante de la tension dans le réseau à surveiller;
- valeurs efficaces ou crête maximales du courant de localisation, I_L ;
- sensibilité de déclenchement;
- données techniques de l'interface pour le raccordement d'un dispositif d'alarme externe comprenant la tension assignée et le courant assigné, la tension d'isolement assignée et l'explication de la fonction d'interface;
- schéma de raccordement;
- informations relatives à l'influence des capacités de fuite du réseau, de la tension du réseau et du type de réseau de distribution sur la sensibilité de déclenchement;
- tension de localisation conformément à 4.4.2 et conformité aux normes CEM correspondantes;
- description fonctionnelle du DLD;
- indication selon laquelle le réseau à surveiller comprenant tous les appareils raccordés peut être influencé par le DLD, par exemple l'influence sur les dispositifs à courant résiduel (DCR);
- indication selon laquelle les CPI peuvent être influencés par le DLD, le cas échéant;
- explication dans les instructions de fonctionnement que si le CPI est désactivé pendant la localisation du défaut, cela doit être expliqué dans les instructions de fonctionnement;
- incertitude maximale de fonctionnement pour la sensibilité de déclenchement dans les conditions spécifiées;
- incertitude maximale de fonctionnement pour l'indication de la valeur d'isolement, le cas échéant;
- valeur maximale de la capacité de fuite du réseau, C_{eI} .

Pour un DLD avec une impédance d'injection où le courant d'injection n'est limité par aucune résistance de courant de localisation en série, des informations doivent être fournies concernant l'impédance d'injection, Z_i , de l'injecteur de courant de localisation en fonction de la fréquence de l'injecteur.

Pour les circuits de contact, les informations fournies dans la documentation technique doivent être conformes à l'IEC 61810-2 ou à l'IEC 60947-5-1 et l'IEC 60947-5-4. Il incombe au fabricant de choisir la norme à prendre en compte, en fonction du domaine d'application des normes mentionnées, qui convient le mieux au domaine d'application prévu du DLD. La sélection doit être documentée.

6 Essais

6.1 Généralités

La conformité aux exigences de l'Article 4 doit être vérifiée par tous les essais applicables spécifiés à l'Article 6 dans les conditions de référence figurant dans le Tableau 3.

Tableau 3 – Conditions de référence pour les essais

Élément	Conditions de référence
Fréquence du réseau	Fréquence assignée $\pm 1 \%$
Température de fonctionnement	$(22 \pm 3) \text{ }^\circ\text{C}$
Champ magnétique continu externe	$\leq 40 \text{ A/m}$ en courant continu $\leq 3 \text{ A/m}$ en courant alternatif à 50/60 Hz
Tension d'alimentation auxiliaire	Tension d'alimentation nominale spécifiée par le fabricant $\pm 5 \%$

6.2 Essais de type

6.2.1 Essais climatiques

6.2.1.1 Essais climatiques en fonctionnement

Le fonctionnement normal du DLD dans les conditions décrites dans le Tableau 4 doit être vérifié. Au moins 1 h avant la fin de chaque essai climatique, les essais spécifiés en 6.2.2, en 6.2.3 et en 6.2.4 doivent être effectués.

Tableau 4 – Essais climatiques en fonctionnement

Caractéristiques climatiques	Norme fondamentale	Niveau /classe	Spécification d'essai
Exposition au froid	IEC 60068-2-1	Ad	$-5 \text{ }^\circ\text{C}$, 96 h
Exposition à la chaleur sèche	IEC 60068-2-2	Bd	$+45 \text{ }^\circ\text{C}$, 96 h

6.2.1.2 Essais climatiques pour le stockage

La résistance aux contraintes d'environnement pendant le stockage doit être vérifiée avec les spécifications figurant dans le Tableau 5. Cet essai est réalisé hors tension. Une heure après la fin de chaque essai climatique, les essais spécifiés en 6.2.2, 6.2.3 et 6.2.4 doivent être effectués.

Tableau 5 – Essais climatiques pour le stockage

Caractéristiques climatiques	Norme fondamentale	Niveau /classe	Spécification d'essai
Exposition au froid	IEC 60068-2-1	Ab	$-25 \text{ }^\circ\text{C}$, 96 h
Exposition à la chaleur sèche	IEC 60068-2-2	Bb	$+70 \text{ }^\circ\text{C}$, 96 h

6.2.2 Essai de sensibilité de déclenchement du DLD

La sensibilité de déclenchement doit être soumise à des essais avec la valeur la plus basse et la plus élevée de la tension nominale du réseau, U_n , et dans les conditions spécifiées en 4.4.1.

Pour cet essai, la résistance d'isolement doit être simulée selon les 4 conditions d'essai spécifiées dans le Tableau 6:

- résistance unipolaire (tour à tour, entre chaque phase de U_n et la terre);
- symétriquement (même résistance entre toutes les phases de U_n et la terre).

Tableau 6 – Liste des conditions d'essai (TC)

Conditions d'essai	Résistance d'isolement	U_n	Sensibilité de déclenchement
TC1	résistance unipolaire	valeur la plus élevée de la tension nominale du réseau, U_n	conditions de 4.4.1
TC2	symétriquement		
TC3	résistance unipolaire	valeur la plus faible de la tension nominale du réseau, U_n	
TC4	symétriquement		

Le dispositif de mesure utilisé pour effectuer l'essai doit pouvoir s'adapter à une variation lente, continue ou à une variation fine par paliers de la résistance d'isolement, ainsi qu'à une connexion des capacités de fuite du réseau, conformément à 4.4.1. Pour réaliser la simulation des capacités de fuite du réseau, des condensateurs dont la résistance d'isolement est d'au moins 100 M Ω et dont la limite de la tolérance est de $\pm 10\%$ au maximum doivent être utilisés.

Lors de l'essai, les défauts d'isolement sont simulés au moyen de résistances d'essai connectées de l'extérieur. La sensibilité de déclenchement doit être déterminée tant pour la valeur la plus basse que pour la valeur la plus élevée de la tension du réseau à surveiller, en diminuant progressivement les résistances d'essai. La sensibilité de déclenchement doit être déterminée avec des résistances d'essai pour des défauts d'isolement symétriques et unipolaires. Si le principe de mesure dépend de la grandeur de la capacité de fuite du réseau, la sensibilité de déclenchement spécifiée doit être vérifiée en raccordant des condensateurs par paliers.

Lorsque le DLD est équipé d'une sensibilité de déclenchement réglable, les essais doivent être réalisés tant pour la valeur la plus basse que pour la valeur la plus élevée pour une valeur réglable de façon continue et à toutes les valeurs pour les sensibilités de déclenchement sélectionnables fixes.

Les essais doivent être réalisés dans les conditions de référence de selon 6.1.

La sensibilité de déclenchement doit être comparée avec les valeurs indiquées par le fabricant.

6.2.3 Essai du courant de localisation, I_L , et de la tension de localisation, U_L

Les exigences de 4.4.2 sont vérifiées dans ce paragraphe.

Le courant de localisation doit être mesuré dans un réseau IT sans capacité de fuite du réseau et avec une résistance d'isolement $> 100\text{ M}\Omega$ comme suit:

- si une source de courant de localisation passive est utilisée:
 - régler la tension du réseau IT au maximum de la tension nominale du réseau du dispositif;
 - brancher un ampèremètre ou un dispositif approprié entre un conducteur de phase et le conducteur PE, puis mesurer la valeur efficace du courant de localisation, tel que spécifié à la Figure 1;
- si une source de localisation active est utilisée:
 - connecter le filtre antirepliement entre la borne d'injection et la borne de terre;
 - régler le diviseur de tension à la Figure 2 pour satisfaire à l'exigence de résistance équivalente de 4.4.2. Par exemple, si la résistance d'injection est inférieure à 500 k Ω , prendre R_H égale à 9,9 M Ω , R_T à 100 k Ω et C_f à 10 nF;
 - brancher un voltmètre capable d'effectuer des mesures de crête et efficaces à la sortie du filtre antirepliement, puis mesurer les valeurs de crête et efficace comme représenté à la Figure 2.

U_1 doit être calculé à partir de la mesure du voltmètre et doit être inférieur à $U_{\text{limite c.a.}}$ pour $f \geq 15$ Hz. Le voltmètre doit être en mode crête pour la mesure de crête et en mode efficace réel pour la mesure efficace. Pour la mesure de crête, le voltmètre doit avoir un temps de réponse maximal de 250 μs .

U_1 doit être calculée à partir de la mesure du voltmètre et doit être inférieure à $U_{\text{limite c.c.}}$ pour $f < 15$ Hz, mesurée avec un voltmètre en mode crête. Le voltmètre doit avoir un temps de réponse maximal de 250 μs .

NOTE 1 Une évaluation de la conformité peut être utilisée pour prendre en compte à la fois le dispositif et les instructions d'emploi associées. Un organisme tiers peut utiliser la configuration d'essai ci-dessus ou toute autre configuration d'essai pertinente.

Si une source de localisation active est utilisée avec une tension de localisation supérieure à 50 V efficaces en courant alternatif et 70 V crête ou 120 V en courant continu:

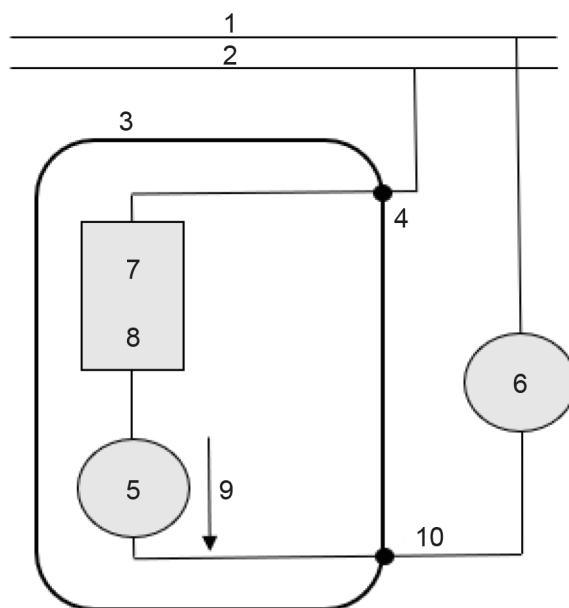
- connecter le diviseur de tension entre la borne d'injection et la borne de terre;
- pour les valeurs du diviseur de tension, prendre R_B égale à 500 Ω et R_S à 1,5 k Ω ;

NOTE 2 Les valeurs de R_B et R_S représentent la condition la plus défavorable et peuvent être consultées dans l'IEC 60479-1.

- brancher un voltmètre capable d'effectuer des mesures de crête et efficaces à la sortie du diviseur de tension, puis mesurer les valeurs de crête et efficace comme représenté à la Figure 3.

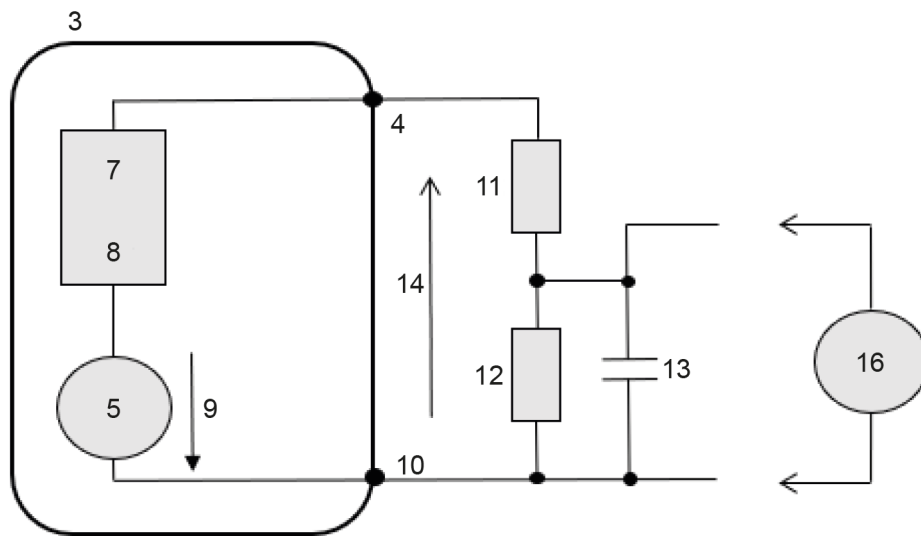
Légende de la Figure 1 à la Figure 3

- 1 Phase
- 2 Neutre
- 3 DLD (en fonctionnement)
- 4 Borne d'injection
- 5 Système d'injection
- 6 Ampèremètre ou dispositif approprié
- 7 Impédance d'injection, Z_i
- 8 Résistance d'injection, R_i
- 9 Courant de localisation, I_L
- 10 Borne de terre
- 11 R_H , première résistance du diviseur de tension
- 12 R_T , deuxième résistance du diviseur de tension
- 13 C_f , filtre antirepliement
- 14 U_1 , tension calculée pour l'évaluation de la tension de localisation
- 15 U_B , tension mesurée pour l'évaluation du courant de localisation
- 16 Voltmètre capable d'effectuer des mesures de crête pour la mesure de crête et voltmètre capable d'effectuer des mesures efficaces pour la mesure efficace
- 17 R_S , première résistance du diviseur de tension représentant la résistance d'une peau humaine
- 18 R_B , deuxième résistance du diviseur de tension représentant la résistance d'un corps humain



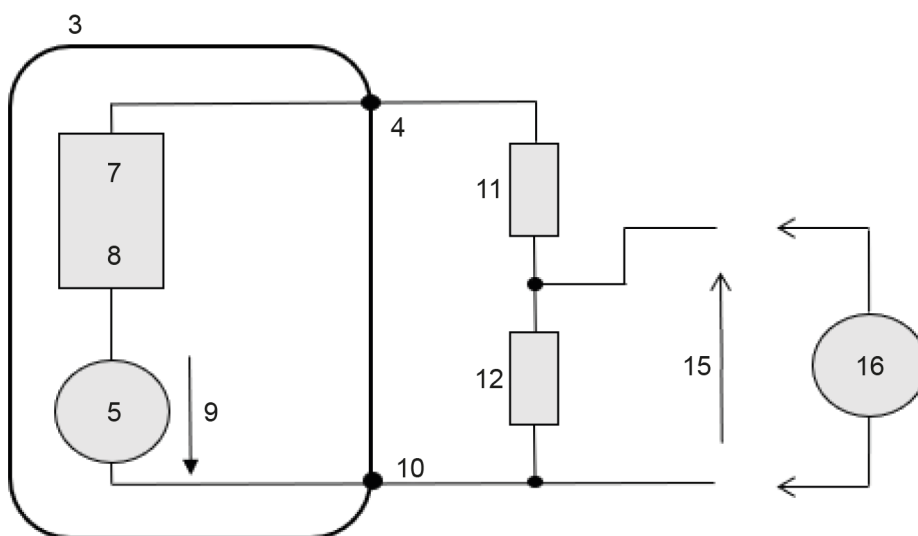
IEC

Figure 1 – Configuration d'essai: I_L commandé directement à partir du réseau à surveiller



IEC

Figure 2 – Configuration d'essai: Source de localisation active



IEC

Figure 3 – Configuration d'essai pour l'essai de courant: une source de localisation active est utilisée avec une tension de localisation supérieure à 50 V efficaces en courant alternatif et 70 V crête ou 120 V en courant continu

U_B doit être inférieure à $I_{\text{limite c.a.}} \times 500 \Omega$ pour $f \geq 15 \text{ Hz}$, mesurée avec un voltmètre en mode crête pour la mesure de crête et en mode efficace pour la mesure efficace. Pour la mesure de crête, le voltmètre doit avoir un temps de réponse maximal de 250 μs .

U_B doit être inférieure à $I_{\text{limite c.a.}} \times 500 \Omega \text{ V}$ pour $f < 15 \text{ Hz}$, mesurée avec un voltmètre en mode crête. Le voltmètre doit avoir un temps de réponse maximal de 250 μs .

NOTE 3 Une évaluation de la conformité peut être utilisée pour prendre en compte à la fois le dispositif et les instructions d'emploi associées. Un organisme tiers peut utiliser la configuration d'essai ci-dessus ou toute autre configuration d'essai pertinente.

6.2.4 Essai de l'alarme de localisation de défaut

La conformité aux exigences données en 4.2.1 doit être vérifiée conformément à la spécification d'essai du fabricant, qui doit être documentée.

6.2.5 Essai de l'indication de la valeur d'isolement

Si une indication de la valeur d'isolement est fournie, la conformité à 4.3.1 doit être vérifiée conformément à la spécification d'essai du fabricant, qui doit être documentée.

6.2.6 Vérification de la coordination de l'isolement

La conformité aux exigences relatives aux distances d'isolement, aux lignes de fuite et à l'isolement de 4.5.1 doit être vérifiée conformément à l'IEC 61010-1.

6.2.7 Essai de la compatibilité électromagnétique (CEM)

La compatibilité électromagnétique doit être soumise à essai conformément à l'IEC 61326-2-4.

6.2.8 Essai de la perte de connexion du CCL

Si un essai de perte de la connexion de la fonction CCL est mis en œuvre, les exigences du 4.3.2 doivent être vérifiées par la coupure de la connexion. La conformité aux exigences doit être vérifiée par un examen visuel ou sonore.

Pour cet essai, l'interruption et le court-circuit du raccordement doivent être simulés.

6.2.9 Essai de la classe de protection et de la connexion de terre du DLD

La conformité à l'IEC 61010-1 doit être vérifiée si la connexion à la terre du DLD est destinée à des fins de mise à la terre de protection.

6.2.10 Inspection du marquage et des instructions de fonctionnement

La conformité aux exigences données en 5.1 et 5.2 doit être vérifiée par examen visuel.

6.2.11 Essai mécanique

6.2.11.1 Essai de chocs et de vibrations

Les essais de chocs et de vibrations doivent être effectués conformément au Tableau 7.

Tableau 7 – Essai mécanique du produit

Robustesse mécanique dans l'essai de fonctionnement	Norme et niveau	Paramètres d'essai	Autres informations
Comportement aux vibrations	IEC 60068-2-6 Essai Fc	2 Hz à 13,2 Hz – amplitude ± 1 mm 13,2 Hz à 100 Hz – accélération $\pm 0,7$ g Pour les conditions de vibrations sévères, telles que, par exemple, les moteurs diesel, les compresseurs d'air, etc.: 2,0 Hz à 25,0 Hz – amplitude $\pm 1,6$ mm 25,0 Hz à 100 Hz – accélération ± 4 g	Durée en condition sans résonance: 9 min à 30 Hz. Durée à chaque fréquence de résonance à laquelle $Q \geq 2$ est enregistrée: 90 min. Au cours de l'essai de vibrations, les essais fonctionnels sont à effectuer. Les essais sont à effectuer dans trois plans mutuellement perpendiculaires. À titre de ligne directrice, il est recommandé que Q ne dépasse pas 5. Lorsqu'un essai de balayage est à effectuer à la place d'un essai de fréquences discrètes et plusieurs fréquences de résonance sont détectées proches les unes des autres, la durée de l'essai est de 120 min. Le balayage sur une plage de fréquences restreinte entre 0,8 fois et 1,2 fois les fréquences critiques peut être utilisé le cas échéant. NOTE Une fréquence critique est une fréquence à laquelle le dispositif en essai peut manifester: – un dysfonctionnement et/ou une dégradation de performance, – des résonances mécaniques et/ou autres effets de réponse (par exemple un broutage).
Comportement aux chocs	IEC 60068-2-27, Essai Ea	10 g_n / 11 ms, 3 impulsions	

6.2.11.2 Validation des exigences IP

Les exigences de 4.7.2 doivent être vérifiées par examen visuel.

6.2.12 Enregistrement de l'essai de type

Les résultats de l'essai de type doivent être documentés.

6.3 Essais individuels de série

6.3.1 Généralités

Les essais individuels de série doivent être réalisés sur chaque DLD.

6.3.2 Essai de tension

Les essais de tension des dispositifs de localisation de défauts d'isolement doivent être réalisés conformément à l'IEC 61010-1:2010, Annexe F.

6.3.3 Enregistrement des essais individuels de série

Il convient d'enregistrer la conformité aux essais de 6.3.

7 Vue d'ensemble des exigences et des essais pour un DLD

Le Tableau 8 donne une vue d'ensemble des exigences relatives à un DLD et aux essais qui doivent être réalisés sur un DLD.

Tableau 8 – Exigences et essais sur les DLD

Caractéristiques	Exigences	Essais de type	Essais individuels de série
Alarme locale de localisation de défaut	4.2.2	6.2.4	Non applicable
Alarme distante de localisation de défaut	4.2.3	6.2.4	Non applicable
Indication de la valeur d'isolement	4.3.1	6.2.5	Non applicable
Alarme en cas d'interruption de la perte de la connexion au CCL	4.3.2	6.2.8	Non applicable
Autotest	4.3.3	---	Non applicable
Sensibilité de déclenchement	4.4.1	6.2.2	Non applicable
Courant de localisation	4.4.2	6.2.3	Non applicable
Tension de localisation	4.4.2	6.2.3	Non applicable
CEM	4.6	6.2.7	Non applicable
Distances d'isolement et lignes de fuite	4.5.1	6.2.6	6.3.2
Coordination de l'isolement			
Essai de tension			
Classe de protection et connexion de terre	4.5.2	6.2.9	Non applicable
Conditions climatiques ambiantes	4.8	6.2.1	Non applicable
Exigences mécaniques	4.7	6.2.11	Non applicable
Marquage et instructions de fonctionnement	Article 5	6.2.10	Non applicable

Annexe A (normative)

Dispositif de localisation de défauts d'isolement dans les locaux à usages médicaux (DLD-MED)

A.1 Généralités

La présente annexe fournit les exigences supplémentaires applicables au dispositif de localisation de défauts d'isolement utilisé dans des réseaux IT à courant alternatif non mis à la terre des locaux à usages médicaux de groupe 2 conformément à l'IEC 60364-7-710.

A.2 Exigences

A.2.1 Généralités

Outre les exigences de l'Article 4, les exigences suivantes s'appliquent. Ces exigences, ainsi que les essais de type et individuels de série correspondants, sont données dans le Tableau A.1.

A.2.2 Exigences de performance

A.2.2.1 Sensibilité de déclenchement

La sensibilité de déclenchement minimale doit être de 50 k Ω ou $U_n / 50$ k Ω pour une capacité de fuite totale en amont du réseau (somme des capacités de fuite de tous les conducteurs de phase vers la terre) de 0,5 μ F.

A.2.2.2 Courant de localisation, I_L

Le courant de localisation, I_L , ne doit pas dépasser le courant alternatif de localisation maximal admissible, $I_{\text{limite c.a.}}$, de 1 mA crête et/ou 1 mA efficace pour les fréquences supérieures à 15 Hz et il ne doit pas dépasser le courant continu de localisation maximal admissible, $I_{\text{limite c.c.}}$, de 1 mA crête pour les fréquences inférieures à 15 Hz ou en courant continu.

A.2.2.3 Tension de localisation, U_L

Si une tension de localisation, U_L , ou un courant de localisation, I_L , actifs sont utilisés, la tension de localisation, U_L , ne doit pas dépasser la tension alternative de localisation maximale admissible, $U_{\text{limite c.a.}}$, de 35,5 V crête et 25 V efficaces et la tension continue de localisation maximale admissible, $U_{\text{limite c.c.}}$, de 35,5 V crête.

A.2.2.4 Temps de réponse, t_{al}

Le temps de réponse dans les conditions de A.3.3 doit être indiqué par le fabricant.

A.2.2.5 Indication de localisation de défaut

Une information indiquant le circuit où le défaut d'isolement a été détecté doit être fournie.

A.2.3 Compatibilité électromagnétique

Outre les exigences de 4.6, ce qui suit s'applique:

Le DLD-MED doit être conforme à l'IEC 61326-1:2020, 7.2, Groupe 1, équipement de Classe B pour les émissions, et aux critères de performance conformément à l'IEC 61326-2-4.

NOTE L'IEC 60364-7-710 fournit les définitions pour les groupes de locaux à usages médicaux.

A.3 Essais supplémentaires

A.3.1 Généralités

En plus des essais de l'Article 6, les essais de A.3.2 à A.3.4 doivent s'appliquer.

A.3.2 Essais des exigences de performance

A.3.2.1 Sensibilité de déclenchement

La sensibilité de déclenchement doit être soumise à essai conformément à 6.2.2, en tenant compte des exigences de A.2.2.2.

A.3.2.2 Courant de localisation

La conformité aux exigences de A.2.2.2 doit être vérifiée conformément à 6.2.3.

NOTE Une évaluation de la conformité peut être utilisée pour prendre en compte à la fois le dispositif et les instructions d'emploi associées. Un organisme tiers peut utiliser la configuration d'essai ci-dessus ou toute autre configuration d'essai pertinente.

A.3.2.3 Tension de localisation

La tension de localisation doit être soumise à essai en tenant compte des exigences de A.2.2.3 conformément à 6.2.3.

NOTE Une évaluation de la conformité peut être utilisée pour prendre en compte à la fois le dispositif et les instructions d'emploi associées. Un organisme tiers peut utiliser la configuration d'essai ci-dessus ou toute autre configuration d'essai pertinente.

A.3.3 Essai du temps de réponse

Le temps de réponse doit être soumis à la tension nominale du réseau et à une capacité de fuite totale du réseau de 0,5 μF distribuée symétriquement à partir de tous les conducteurs de phase en amont du capteur de courant de localisation en réduisant brusquement la résistance d'isolement de presque l'infini à 25 k Ω en tenant compte des exigences de A.2.2.4 (essai de type).

A.3.4 Essai de la compatibilité électromagnétique (CEM)

Les essais de compatibilité électromagnétique doivent être réalisés conformément à 6.2.7 tout en respectant les exigences de A.2.3 et du Tableau A.2 (essai de type).

Tableau A.1 – Exigences supplémentaires applicables au DLD-MED

	Exigences pour les essais de type	Exigences pour les essais individuels de série
Sensibilité de déclenchement	6.2.2 et A.2.2.1	Non applicable
Courant de localisation, I_L	6.2.3, A.2.2.2 et A.3.2.2	
Tension de localisation, U_L	6.2.3, A.2.2.3 et A.3.2.3	
Temps de réponse, t_{al}	A.2.2.4 et A.3.3	

Tableau A.2 – Essai d'émission pour le DLD-MED

Essai n°	Accès	Essai	Spécification	Classe	Observations	Norme fondamentale
1	Dispositif complet	Émission de perturbation rayonnée	de 30 MHz à 230 MHz de 230 MHz à 1 000 MHz	B	À tension assignée	IEC 61326-1:2020, 7.2
2	Raccordement au réseau et principales connexions	Émission de perturbation conduite	de 150 kHz à 30 MHz	B	À tension assignée	IEC 61326-1:2020, 7.2

Annexe B (normative)

Localisateur portable de défauts d'isolement

B.1 Généralités

La présente annexe fournit les exigences supplémentaires applicables au localisateur portable de défauts d'isolement (LPDI) qui est utilisé dans les réseaux IT non reliés à la terre. Ce localisateur portable peut être utilisé à la place ou en combinaison avec des dispositifs de localisation de défauts d'isolement fixes.

B.2 Exigences supplémentaires

B.2.1 Généralités

Outre les exigences de l'Article 4, les exigences de B.2.2 s'appliquent.

B.2.2 Exigences de performance

B.2.2.1 Capteurs de courant de localisation mobiles (CCLM)

Si un CCLM est utilisé comme capteur de courant de localisation, il doit être conforme à l'IEC 61010-2-032. Le CCLM doit être un capteur de courant de type A conformément à l'IEC 61010-2-032.

B.2.2.2 Sondes équipées

Si des sondes équipées tenues à la main ou équipées pour le raccordement des dispositifs mobiles au réseau à surveiller sont utilisées, elles doivent être conformes à l'IEC 61010-031.

Les sondes équipées doivent être de type A conformément à l'IEC 61010-031.

B.3 Marquage et instructions de fonctionnement

Outre les exigences concernant les informations de l'Article 5, les instructions de fonctionnement doivent comporter les informations suivantes:

- des informations sur l'influence des champs électromagnétiques à proximité du capteur de courant de localisation;
- des informations sur l'influence du courant de charge dans les parties du réseau parcourues par le courant de charge dans lequel le capteur de courant de localisation doit être appliqué;
- des informations doivent être ajoutées lorsque le capteur de courant de localisation, par exemple, est incorrectement appliqué à un seul conducteur porteur de courant de charge continu, car il est possible que le capteur de courant de localisation ne puisse être retiré qu'après la coupure du courant de charge dans le réseau.

B.4 Essais supplémentaires

Outre les essais de l'Article 6, les essais suivants doivent être réalisés:

- 6.2.7 ne s'applique pas. En revanche, les essais de la compatibilité électromagnétique réalisés sur le localisateur portable de défauts d'isolement doivent être réalisés conformément à l'IEC 61326-2-2, mais avec les critères de performance de l'IEC 61326-2-4;
- les exigences de l'Article B.2 et de l'Article B.3 doivent être satisfaites.

Annexe C (informative)

Exemple de DLD et explication des capacités de fuite du réseau amont et aval

C.1 Exemples de fonctions d'un DLD

Un DLD comprend habituellement plusieurs fonctions:

- un CPI conformément à l'IEC 61557-8;
- un ICL mobile ou installé de manière permanente;
- un CCL, par exemple un transformateur de courant différentiel ou une pince de courant pour courant différentiel est utilisé pour la détection du courant de localisation et connecté au LDI;
- un LDI, portable ou installé de manière permanente: les capteurs de courant de localisation sont connectés au localisateur de défaut d'isolement (LDI) pour détecter le courant de localisation.

Soit ces fonctions peuvent être réalisées par un seul dispositif, un pour chaque fonction, soit toutes les fonctions peuvent être intégrées dans un seul et même dispositif. De même, certaines fonctions ou l'intégralité de ces fonctions peuvent être intégrées dans un CPI conformément à l'IEC 61557-8, ou dans des dispositifs combinés qui remplissent des fonctions de surveillance supplémentaires.

L'ICL peut être un injecteur de courant de localisation passif (ICLP) ou actif (ICLA). Dans le cas d'un dispositif passif, le courant de localisation est conduit par la tension à la terre du réseau à surveiller et est limité par l'ICL au maximum du courant de localisation. Dans le cas d'un dispositif actif, le courant de localisation est généré par une source de tension ou de courant active indépendante à l'intérieur du dispositif d'essai.

Les fonctions CPI, ICL et LDI peuvent comprendre soit des dispositifs uniques, soit toutes les fonctions ou une partie des fonctions de chaque dispositif peuvent être combinées dans un seul et même dispositif.

Le LPDI peut être utilisé conjointement avec un ICL à installation fixe ou mobile.

NOTE Pour une explication des abréviations utilisées à la Figure C.1, voir Tableau 1 en 3.2.

La Figure C.1 donne un exemple de DLD comprenant plusieurs dispositifs.

Légende pour la Figure C.1 et la Figure C.2

1	T	Transformateur
2	CPI	Contrôleur permanent d'isolement
3	ICL	Injecteur de courant de localisation
4	LPDI	Localisateur portable de défauts d'isolement
5	LDI	Localisateur de défaut d'isolement
6	CCLM	Capteur de courant de localisation mobile
7	CCL	Capteur de courant de localisation
8	I_L	Courant de localisation
9	R_F	Résistance d'isolement
10	C_{Lu}	Capacité de fuite du réseau en amont du capteur de courant de localisation
11	C_{Ld}	Capacité de fuite du réseau en aval du capteur de courant de localisation

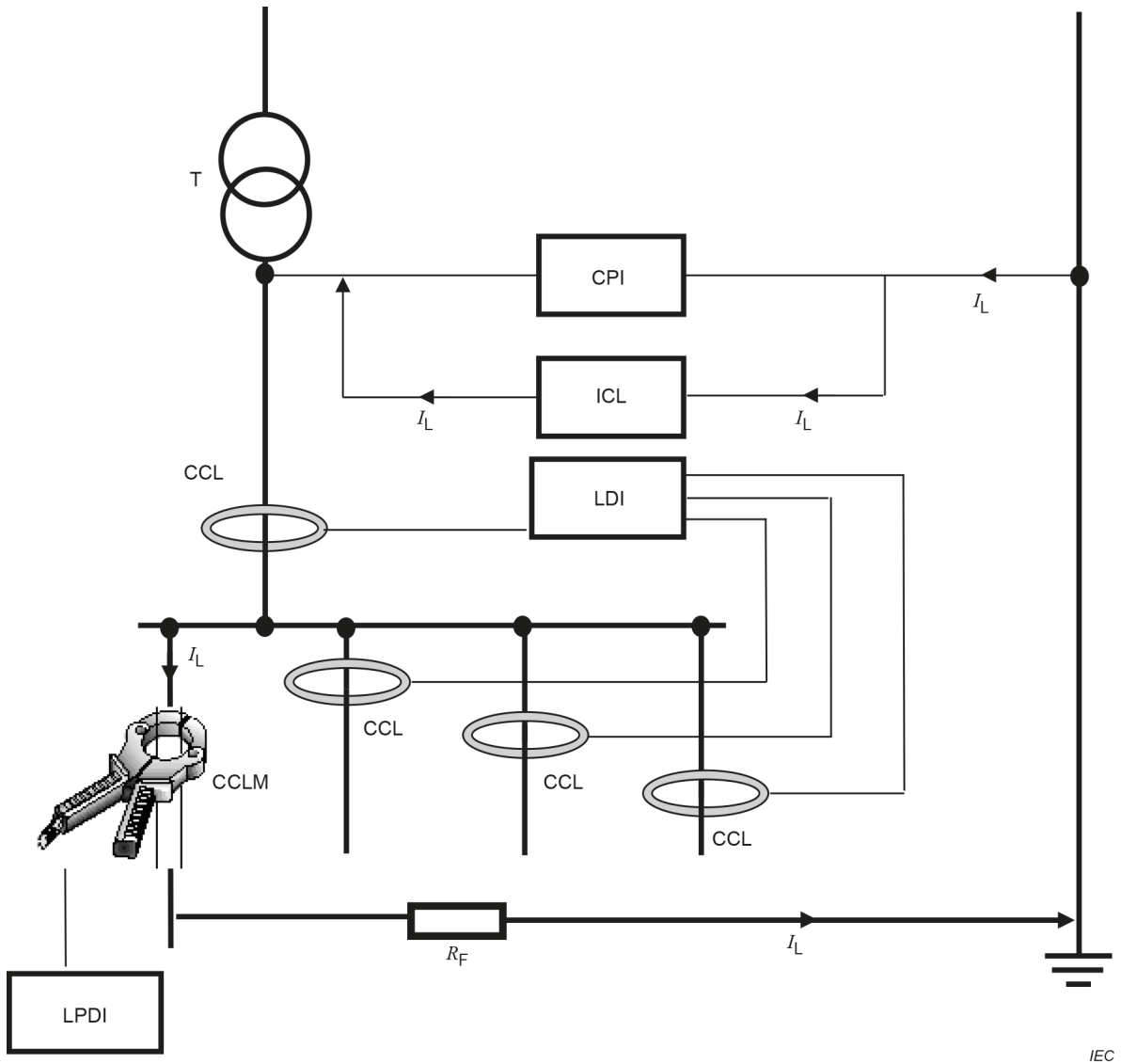


Figure C.1 – Exemple de DLD

C.2 Capacité de fuite du réseau amont et aval

La Figure C.2 montre la capacité de fuite du réseau amont et aval.

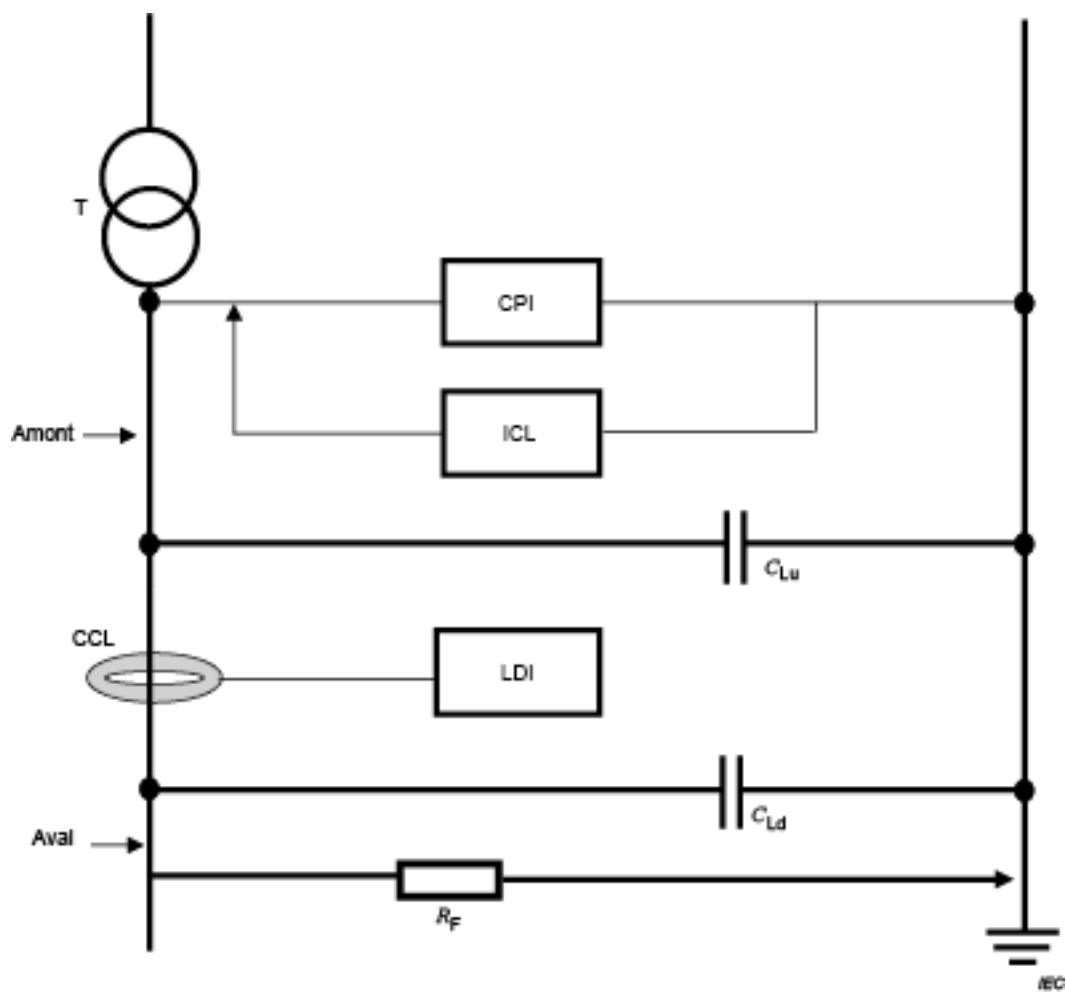


Figure C.2 – Explication de la capacité de fuite du réseau amont et aval

Bibliographie

IEC 60364-4-41:2005, *Installations électriques à basse tension – Partie 4-41: Protection pour assurer la sécurité – Protection contre les chocs électriques*
IEC 60364-4-41:2005/A1:2017

IEC 60364-5-53:2019, *Installations électriques à basse tension – Partie 5-53: Choix et mise en œuvre des matériels électriques – Dispositifs de protection pour assurer la sécurité, le sectionnement, la coupure, la commande et la surveillance*
IEC 60364-5-53:2019/A1:2020

IEC 60479-1:2018, *Effects of current on human beings and livestock – Part 1: General aspects*
(disponible en anglais seulement)

IEC 60664 (toutes les parties), *Coordination de l'isolement des matériels dans les réseaux d'énergie électrique à basse tension*

IEC 60664-1, *Coordination de l'isolement des matériels dans les réseaux d'énergie électrique à basse tension – Partie 1: Principes, exigences et essais*

IEC 60664-3, *Coordination de l'isolement des matériels dans les systèmes (réseaux) à basse tension – Partie 3: Utilisation de revêtement, d'emportage ou de moulage pour la protection contre la pollution*

IEC 61557-15, *Sécurité électrique dans les réseaux de distribution basse tension de 1 000 V c.a. et 1 500 V c.c. – Dispositifs de contrôle, de mesure ou de surveillance de mesures de protection – Partie 15: Exigences de sécurité fonctionnelle pour les contrôleurs d'isolement de réseaux IT et les dispositifs de localisation de défauts d'isolement pour réseaux IT*

IEC 61810-2:2017, *Relais électromécaniques élémentaires – Partie 2: Fiabilité*

INTERNATIONAL
ELECTROTECHNICAL
COMMISSION

3, rue de Varembé
PO Box 131
CH-1211 Geneva 20
Switzerland

Tel: + 41 22 919 02 11
info@iec.ch
www.iec.ch