

# INTERNATIONAL STANDARD

# NORME INTERNATIONALE

---

**Low-voltage switchgear and controlgear –  
Part 7-1: Ancillary equipment – Terminal blocks for copper conductors**

**Appareillage à basse tension –  
Partie 7-1: Matériels accessoires – Blocs de jonction pour conducteurs en cuivre**



## THIS PUBLICATION IS COPYRIGHT PROTECTED

Copyright © 2009 IEC, Geneva, Switzerland

All rights reserved. Unless otherwise specified, no part of this publication may be reproduced or utilized in any form or by any means, electronic or mechanical, including photocopying and microfilm, without permission in writing from either IEC or IEC's member National Committee in the country of the requester.

If you have any questions about IEC copyright or have an enquiry about obtaining additional rights to this publication, please contact the address below or your local IEC member National Committee for further information.

Droits de reproduction réservés. Sauf indication contraire, aucune partie de cette publication ne peut être reproduite ni utilisée sous quelque forme que ce soit et par aucun procédé, électronique ou mécanique, y compris la photocopie et les microfilms, sans l'accord écrit de la CEI ou du Comité national de la CEI du pays du demandeur.

Si vous avez des questions sur le copyright de la CEI ou si vous désirez obtenir des droits supplémentaires sur cette publication, utilisez les coordonnées ci-après ou contactez le Comité national de la CEI de votre pays de résidence.

IEC Central Office  
3, rue de Varembe  
CH-1211 Geneva 20  
Switzerland  
Email: [inmail@iec.ch](mailto:inmail@iec.ch)  
Web: [www.iec.ch](http://www.iec.ch)

### About the IEC

The International Electrotechnical Commission (IEC) is the leading global organization that prepares and publishes International Standards for all electrical, electronic and related technologies.

### About IEC publications

The technical content of IEC publications is kept under constant review by the IEC. Please make sure that you have the latest edition, a corrigenda or an amendment might have been published.

- Catalogue of IEC publications: [www.iec.ch/searchpub](http://www.iec.ch/searchpub)

The IEC on-line Catalogue enables you to search by a variety of criteria (reference number, text, technical committee,...). It also gives information on projects, withdrawn and replaced publications.

- IEC Just Published: [www.iec.ch/online\\_news/justpub](http://www.iec.ch/online_news/justpub)

Stay up to date on all new IEC publications. Just Published details twice a month all new publications released. Available on-line and also by email.

- Electropedia: [www.electropedia.org](http://www.electropedia.org)

The world's leading online dictionary of electronic and electrical terms containing more than 20 000 terms and definitions in English and French, with equivalent terms in additional languages. Also known as the International Electrotechnical Vocabulary online.

- Customer Service Centre: [www.iec.ch/webstore/custserv](http://www.iec.ch/webstore/custserv)

If you wish to give us your feedback on this publication or need further assistance, please visit the Customer Service Centre FAQ or contact us:

Email: [csc@iec.ch](mailto:csc@iec.ch)  
Tel.: +41 22 919 02 11  
Fax: +41 22 919 03 00

---

### A propos de la CEI

La Commission Electrotechnique Internationale (CEI) est la première organisation mondiale qui élabore et publie des normes internationales pour tout ce qui a trait à l'électricité, à l'électronique et aux technologies apparentées.

### A propos des publications CEI

Le contenu technique des publications de la CEI est constamment revu. Veuillez vous assurer que vous possédez l'édition la plus récente, un corrigendum ou amendement peut avoir été publié.

- Catalogue des publications de la CEI: [www.iec.ch/searchpub/cur\\_fut-f.htm](http://www.iec.ch/searchpub/cur_fut-f.htm)

Le Catalogue en-ligne de la CEI vous permet d'effectuer des recherches en utilisant différents critères (numéro de référence, texte, comité d'études,...). Il donne aussi des informations sur les projets et les publications retirées ou remplacées.

- Just Published CEI: [www.iec.ch/online\\_news/justpub](http://www.iec.ch/online_news/justpub)

Restez informé sur les nouvelles publications de la CEI. Just Published détaille deux fois par mois les nouvelles publications parues. Disponible en-ligne et aussi par email.

- Electropedia: [www.electropedia.org](http://www.electropedia.org)

Le premier dictionnaire en ligne au monde de termes électroniques et électriques. Il contient plus de 20 000 termes et définitions en anglais et en français, ainsi que les termes équivalents dans les langues additionnelles. Egalement appelé Vocabulaire Electrotechnique International en ligne.

- Service Clients: [www.iec.ch/webstore/custserv/custserv\\_entry-f.htm](http://www.iec.ch/webstore/custserv/custserv_entry-f.htm)

Si vous désirez nous donner des commentaires sur cette publication ou si vous avez des questions, visitez le FAQ du Service clients ou contactez-nous:

Email: [csc@iec.ch](mailto:csc@iec.ch)  
Tél.: +41 22 919 02 11  
Fax: +41 22 919 03 00



IEC 60947-7-1

Edition 3.0 2009-04

# INTERNATIONAL STANDARD

# NORME INTERNATIONALE

---

**Low-voltage switchgear and controlgear –  
Part 7-1: Ancillary equipment – Terminal blocks for copper conductors**

**Appareillage à basse tension –  
Partie 7-1: Matériels accessoires – Blocs de jonction pour conducteurs en cuivre**

INTERNATIONAL  
ELECTROTECHNICAL  
COMMISSION

COMMISSION  
ELECTROTECHNIQUE  
INTERNATIONALE

PRICE CODE  
CODE PRIX



---

ICS 29.130.20

ISBN 978-2-88910-341-6

## CONTENTS

FOREWORD.....	4
1 General.....	6
1.1 Scope.....	6
1.2 Normative references.....	6
2 Definitions.....	7
3 Classification.....	7
4 Characteristics.....	7
4.1 Summary of characteristics.....	7
4.2 Type of terminal block.....	7
4.3 Rated and limiting values.....	8
4.3.1 Rated voltages.....	8
4.3.2 Short-time withstand current.....	8
4.3.3 Standard cross-sections.....	8
4.3.4 Rated cross-section.....	8
4.3.5 Rated connecting capacity.....	9
5 Product information.....	9
5.1 Marking.....	9
5.2 Additional information.....	9
6 Normal service, mounting and transport conditions.....	10
7 Constructional and performance requirements.....	10
7.1 Constructional requirements.....	10
7.1.1 Clamping units.....	10
7.1.2 Mounting.....	10
7.1.3 Clearances and creepage distances.....	10
7.1.4 Terminal identification and marking.....	10
7.1.5 Resistance to abnormal heat and fire.....	11
7.1.6 Rated cross-section and rated connecting capacity.....	11
7.2 Performance requirements.....	11
7.2.1 Temperature-rise.....	11
7.2.2 Dielectric properties.....	11
7.2.3 Short-time withstand current.....	11
7.2.4 Voltage drop.....	12
7.2.5 Electrical performance after ageing (for screwless-type terminal blocks only).....	12
7.3 Electromagnetic compatibility (EMC).....	12
8 Tests.....	12
8.1 Kinds of test.....	12
8.2 General.....	12
8.3 Verification of mechanical characteristics.....	13
8.3.1 General.....	13
8.3.2 Attachment of the terminal block on its support.....	13
8.3.3 Mechanical properties of clamping units.....	14
8.4 Verification of electrical characteristics.....	15
8.4.1 General.....	15
8.4.2 Verification of clearances and creepage distances.....	16
8.4.3 Dielectric tests.....	16

8.4.4	Verification of the voltage drop .....	16
8.4.5	Temperature-rise test .....	18
8.4.6	Short-time withstand current test .....	19
8.4.7	Ageing test (for screwless-type terminal blocks only) .....	19
8.5	Verification of thermal characteristics .....	20
8.6	Verification of EMC characteristics .....	22
8.6.1	Immunity .....	22
8.6.2	Emission .....	22
Annex A	vacant.....	23
Annex B (informative)	Items subject to agreement between manufacturer and user .....	24
Annex C	vacant .....	25
Annex D (normative)	Additional requirements for test disconnect terminal blocks.....	26
Bibliography	.....	34
Figure 1	– Arrangement for test according to 8.3.2 .....	13
Figure 2	– Arrangement for tests according to 8.4.5 and 8.4.7, and for the verification of voltage drop.....	18
Figure 3	– Arrangement for test according to 8.5 .....	21
Figure 4	– Point of test flame contact (view from the layer placed below the terminal block) .....	22
Figure D.1	– Test requirements according to D.8.4.4 for verification of the voltage drop .....	30
Table 1	– Standard cross-sections of round copper conductors.....	8
Table 2	– Relationship between rated cross-section and rated connecting capacity of terminal blocks .....	9
Table 3	– Attachment test parameters.....	14
Table 4	– Values of test current for temperature-rise test, ageing test and voltage drop verification for metric wire sizes .....	17
Table 5	– Values of test current for temperature-rise test, ageing test and voltage drop verification for AWG or kcmil wire sizes .....	18
Table D.1	– Operating cycles .....	28
Table D.2	– Values of test current for temperature-rise test, ageing test and voltage drop verification for metric wire sizes .....	30
Table D.3	– Values of test current for temperature-rise test, ageing test and voltage drop verification for AWG or kcmil wire sizes .....	30
Table D.4	– Short-time withstand current and corresponding wire sizes in mm <sup>2</sup> .....	31
Table D.5	– Short-time withstand current and corresponding wire sizes in AWG .....	32

# INTERNATIONAL ELECTROTECHNICAL COMMISSION

---

## LOW-VOLTAGE SWITCHGEAR AND CONTROLGEAR –

### Part 7-1: Ancillary equipment – Terminal blocks for copper conductors

#### FOREWORD

- 1) The International Electrotechnical Commission (IEC) is a worldwide organization for standardization comprising all national electrotechnical committees (IEC National Committees). The object of IEC is to promote international co-operation on all questions concerning standardization in the electrical and electronic fields. To this end and in addition to other activities, IEC publishes International Standards, Technical Specifications, Technical Reports, Publicly Available Specifications (PAS) and Guides (hereafter referred to as "IEC Publication(s)"). Their preparation is entrusted to technical committees; any IEC National Committee interested in the subject dealt with may participate in this preparatory work. International, governmental and non-governmental organizations liaising with the IEC also participate in this preparation. IEC collaborates closely with the International Organization for Standardization (ISO) in accordance with conditions determined by agreement between the two organizations.
- 2) The formal decisions or agreements of IEC on technical matters express, as nearly as possible, an international consensus of opinion on the relevant subjects since each technical committee has representation from all interested IEC National Committees.
- 3) IEC Publications have the form of recommendations for international use and are accepted by IEC National Committees in that sense. While all reasonable efforts are made to ensure that the technical content of IEC Publications is accurate, IEC cannot be held responsible for the way in which they are used or for any misinterpretation by any end user.
- 4) In order to promote international uniformity, IEC National Committees undertake to apply IEC Publications transparently to the maximum extent possible in their national and regional publications. Any divergence between any IEC Publication and the corresponding national or regional publication shall be clearly indicated in the latter.
- 5) IEC provides no marking procedure to indicate its approval and cannot be rendered responsible for any equipment declared to be in conformity with an IEC Publication.
- 6) All users should ensure that they have the latest edition of this publication.
- 7) No liability shall attach to IEC or its directors, employees, servants or agents including individual experts and members of its technical committees and IEC National Committees for any personal injury, property damage or other damage of any nature whatsoever, whether direct or indirect, or for costs (including legal fees) and expenses arising out of the publication, use of, or reliance upon, this IEC Publication or any other IEC Publications.
- 8) Attention is drawn to the Normative references cited in this publication. Use of the referenced publications is indispensable for the correct application of this publication.
- 9) Attention is drawn to the possibility that some of the elements of this IEC Publication may be the subject of patent rights. IEC shall not be held responsible for identifying any or all such patent rights.

International Standard IEC 60947-7-1 has been prepared by subcommittee 17B: Low-voltage switchgear and controlgear, of IEC technical committee 17: Switchgear and controlgear.

This third edition of IEC 60947-7-1 cancels and replaces the second edition, published in 2002, and constitutes a technical revision.

The main technical modifications of this standard since this previous publication are listed below:

- added in the scope that this standard may be used as a guide for special types of terminal blocks, for example with diodes or varistors or similar component holders;
- the conventional free air thermal current added in 5.2 in the list of information to be stated by the manufacturer;
- update of 7.1.4 that the colour combination green-yellow is not allowed for terminal blocks;
- the consequences in case of failed single tests and failed tests within test sequences specified in 8.2;

- requirements regarding clearances and creepage distances replaced by reference to Annex H of IEC 60947-1, Annex A deleted;
- requirements for tightening torques for the tests improved and referenced to Table 4 of IEC 60947-1, Annex C deleted;
- in 8.3.3.3 changed reference for pull-out force to IEC 60947-1;
- the wording of the test of the voltage drop improved in 8.4.4;
- the wording of the short-time withstand current test improved in 8.4.6;
- Annex D with additional requirements for test disconnect terminal blocks added. The scope modified accordingly.

This standard shall be read in conjunction with IEC 60947-1. The provisions of the general rules dealt with in IEC 60947-1 are applicable to this standard, where specifically called for. Clauses and subclauses, tables, figures and annexes thus applicable are identified by reference to IEC 60947-1, e.g. 1.2 of IEC 60947-1, Table 4 of IEC 60947-1 or Annex A of IEC 60947-1.

The text of this standard is based on the following documents:

FDIS	Report on voting
17B/1654/FDIS	17B/1668/RVD

Full information on the voting for the approval of this standard can be found in the report on voting indicated in the above table.

This publication has been drafted in accordance with the ISO/IEC Directives, Part 2.

A list of all the parts in the IEC 60947 series, under the general title *Low-voltage switchgear and controlgear*, can be found on the IEC website.

The committee has decided that the contents of this publication will remain unchanged until the maintenance result date indicated on the IEC web site under "<http://webstore.iec.ch>" in the data related to the specific publication. At this date, the publication will be

- reconfirmed,
- withdrawn,
- replaced by a revised edition, or
- amended.

## LOW-VOLTAGE SWITCHGEAR AND CONTROLGEAR –

### Part 7-1: Ancillary equipment – Terminal blocks for copper conductors

#### 1 General

##### 1.1 Scope

This part of IEC 60947 specifies requirements for terminal blocks with screw-type or screw-less-type clamping units primarily intended for industrial or similar use and to be fixed to a support to provide electrical and mechanical connection between copper conductors. It applies to terminal blocks intended to connect round copper conductors, with or without special preparation, having a cross-section between 0,2 mm<sup>2</sup> and 300 mm<sup>2</sup> (AWG 24/600 kcmil), intended to be used in circuits of a rated voltage not exceeding 1 000 V a.c. up to 1 000 Hz or 1 500 V d.c.

NOTE AWG is the abbreviation of “American Wire Gage” (Gage (US) = Gauge (UK))

kcmil = 1 000 cmil;

1 cmil = 1 circular mil = surface of a circle having a diameter of 1 mil

1 mil = 1/1 000 inch

This standard may be used as a guide for

- terminal blocks requiring the fixing of special devices to the conductors, for example quick connect terminations or wrapped connections, etc.;
- terminal blocks providing direct contact to the conductors by means of edges or points penetrating the insulation, for example insulation displacement connections, etc.;
- special types of terminal blocks, for example with diodes or varistors or similar component holders, etc.

Where applicable in this standard, the term “clamping unit” has been used instead of the term “terminal”. This is taken into account in case of reference to IEC 60947-1.

##### 1.2 Normative references

The following referenced documents are indispensable for the application of this document. For dated references, only the edition cited applies. For undated references, the latest edition of the referenced document (including any amendments) applies.

IEC 60695-11-5:2004, *Fire hazard testing – Part 11-5: Test flames – Needle-flame test method – Apparatus, confirmatory test arrangement and guidance*

IEC 60947-1:2007, *Low-voltage switchgear and controlgear – Part 1: General rules*

ISO 4046-4:2002, *Paper, board, pulp and related terms – Vocabulary – Part 4: Paper and board grades and covered products*



## 2 Definitions

For the purposes of this document, the definitions given in IEC 60947-1, together with the following definitions, apply.

### 2.1

#### **terminal block**

insulating part carrying one or more mutually insulated terminal assemblies and intended to be fixed to a support

### 2.2

#### **rated cross-section**

value of the maximum cross-section of all connectable types of conductors, rigid (solid and stranded) and flexible, stated by the manufacturer, and to which certain thermal, mechanical and electrical requirements are referred

### 2.3

#### **rated connecting capacity**

range of cross-sections and, if applicable, the number of connectable conductors, for which the terminal block is designed

### 2.4

#### **terminal assembly**

two or more clamping units fixed to the same conductive part

## 3 Classification

Distinction is made between various types of terminal blocks as follows:

- method of fixing the terminal block to the support;
- number of poles;
- type of clamping units: screw-type clamping units or screwless-type clamping units;
- ability to receive prepared conductors (see 2.3.27 of IEC 60947-1);
- terminal assemblies with identical or dissimilar clamping units;
- number of clamping units on each terminal assembly;
- service conditions.

## 4 Characteristics

### 4.1 Summary of characteristics

The characteristics of a terminal block are as follows:

- type of terminal block (see 4.2);
- rated and limiting values (see 4.3).

### 4.2 Type of terminal block

The following shall be stated:

- type of clamping units (e.g. screw-type, screwless-type);
- number of clamping units.

### 4.3 Rated and limiting values

#### 4.3.1 Rated voltages

Subclauses 4.3.1.2 and 4.3.1.3 of IEC 60947-1 apply.

#### 4.3.2 Short-time withstand current

A specified r.m.s. value of current which a terminal block shall be able to withstand during a specified short-time under prescribed conditions of use and behaviour (see 7.2.3 and 8.4.6).

#### 4.3.3 Standard cross-sections

The standard values of cross-sections of round copper conductors to be used are contained in Table 1.

**Table 1 – Standard cross-sections of round copper conductors**

Metric size ISO mm <sup>2</sup>	Comparison between AWG/kcmil and metric sizes	
	Size AWG/kcmil	Equivalent metric area mm <sup>2</sup>
0,2	24	0,205
0,34	22	0,324
0,5	20	0,519
0,75	18	0,82
1	–	–
1,5	16	1,3
2,5	14	2,1
4	12	3,3
6	10	5,3
10	8	8,4
16	6	13,3
25	4	21,2
35	2	33,6
50	0	53,5
70	00	67,4
95	000	85
–	0000	107,2
120	250 kcmil	127
150	300 kcmil	152
185	350 kcmil	177
240	500 kcmil	253
300	600 kcmil	304

#### 4.3.4 Rated cross-section

The rated cross-section shall be selected from the standard cross-sections given in Table 1.

### 4.3.5 Rated connecting capacity

For terminal blocks with a rated cross-section between 0,2 mm<sup>2</sup> and 35 mm<sup>2</sup> inclusive, the minimum range contained in Table 2 applies. The conductors may be rigid (solid or stranded) or flexible. The manufacturer shall state the types and the maximum and minimum cross-sections of conductors that can be connected and, if applicable, the number of conductors simultaneously connectable to each clamping unit. The manufacturer shall also state any necessary preparation of the end of the conductor.

**Table 2 – Relationship between rated cross-section and rated connecting capacity of terminal blocks**

Rated cross-section		Rated connecting capacity	
mm <sup>2</sup>	AWG	mm <sup>2</sup>	AWG
0,2	24	0,2	24
0,34	22	0,2 – 0,34	24 – 22
0,5	20	0,2 – 0,34 – 0,5	24 – 22 – 20
0,75	18	0,34 – 0,5 – 0,75	22 – 20 – 18
1	–	0,5 – 0,75 – 1	–
1,5	16	0,75 – 1 – 1,5	20 – 18 – 16
2,5	14	1 – 1,5 – 2,5	18 – 16 – 14
4	12	1,5 – 2,5 – 4	16 – 14 – 12
6	10	2,5 – 4 – 6	14 – 12 – 10
10	8	4 – 6 – 10	12 – 10 – 8
16	6	6 – 10 – 16	10 – 8 – 6
25	4	10 – 16 – 25	8 – 6 – 4
35	2	16 – 25 – 35	6 – 4 – 2

## 5 Product information

### 5.1 Marking

A terminal block shall be marked in a durable and legible manner with the following:

- the name of the manufacturer or a trade mark by which the manufacturer can be readily identified;
- a type reference permitting its identification in order to obtain relevant information from the manufacturer or his catalogue.

### 5.2 Additional information

The following information shall be stated by the manufacturer, if applicable, e.g. in the manufacturer's data sheet or his catalogue or on the packing unit:

- IEC 60947-7-1, if the manufacturer claims compliance with this standard;
- the rated cross-section;
- the rated connecting capacity, if different from Table 2, including the number of conductors simultaneously connectable;
- the rated insulation voltage ( $U_i$ );
- the rated impulse withstand voltage ( $U_{imp}$ ), when determined;
- service conditions, if different from those of Clause 6;

g) conventional free air thermal current ( $I_{th}$ ).

NOTE The conventional free air thermal current ( $I_{th}$ ) is the maximum value of test current to be used for temperature-rise tests of unenclosed equipment in free air, see 4.3.2.1 of IEC 60947-1.

## 6 Normal service, mounting and transport conditions

Clause 6 of IEC 60947-1 applies.

## 7 Constructional and performance requirements

### 7.1 Constructional requirements

#### 7.1.1 Clamping units

Subclause 7.1.8.1 of IEC 60947-1 applies with the following additions.

The clamping units shall allow the conductors to be connected by means ensuring that a reliable mechanical linkage and electrical contact is properly maintained.

NOTE Screw-type clamping units are not suitable for the connection of flexible conductors with tin soldered ends.

The clamping units shall be able to withstand the forces that can be applied through the connected conductors.

Compliance is checked by inspection and by the tests of 8.3.3.1, 8.3.3.2 and 8.3.3.3.

No contact pressure shall be transmitted through insulating materials other than ceramic, or other material with characteristics not less suitable, unless there is sufficient resiliency in the metallic parts to compensate for any possible shrinkage of the insulating material.

The corresponding test is under consideration.

#### 7.1.2 Mounting

Terminal blocks shall be provided with means that allow them to be securely attached to a rail or a mounting surface.

Tests shall be made in accordance with 8.3.2.

NOTE Information on mounting on rails can be found in IEC 60715.

#### 7.1.3 Clearances and creepage distances

For terminal blocks for which the manufacturer has stated values of rated impulse withstand voltage ( $U_{imp}$ ) and rated insulation voltage ( $U_i$ ), minimum values of clearances and creepage distances are given in Tables 13 and 15 of IEC 60947-1.

For terminal blocks for which the manufacturer has not declared a value of rated impulse withstand voltage ( $U_{imp}$ ), guidance for minimum values is given in Annex H of IEC 60947-1.

Electrical requirements are given in 7.2.2.

#### 7.1.4 Terminal identification and marking

Subclause 7.1.8.4 of IEC 60947-1 applies with the following addition.

A terminal block shall have provision, or at least space, for identification marks or numbers for each clamping unit or terminal assembly related to the circuit of which it forms a part.

For the identification of the terminal blocks the colour combination green-yellow is not allowed.

NOTE Such provision may consist of separate marking items, such as marking tags, identification labels, etc.

#### **7.1.5 Resistance to abnormal heat and fire**

The insulation materials of terminal blocks shall not be adversely affected by abnormal heat and fire.

Subclause 7.1.2.2 of IEC 60947-1 does not apply except for the Note.

Compliance is checked by the needle flame test according to IEC 60695-11-5 as specified in 8.5 of this standard.

#### **7.1.6 Rated cross-section and rated connecting capacity**

Terminal blocks shall be so designed that conductors of the rated cross-section and the rated connecting capacity, if applicable, can be accepted.

Compliance is checked by the test described in 8.3.3.4.

The verification of the rated cross-section may be performed by the special test according to 8.3.3.5.

### **7.2 Performance requirements**

#### **7.2.1 Temperature rise**

Terminal blocks shall be tested in accordance with 8.4.5. The temperature-rise of the terminals shall not exceed 45 K.

#### **7.2.2 Dielectric properties**

If the manufacturer has declared a value of the rated impulse withstand voltage ( $U_{imp}$ ) (see 4.3.1.3 of IEC 60947-1), the requirements of 7.2.3 and 7.2.3.1 of IEC 60947-1 apply. If applicable, the impulse withstand voltage test shall be carried out in accordance with 8.4.3 a).

For the verification of solid insulation, the requirements of 7.2.3, 7.2.3.2 and 7.2.3.5 of IEC 60947-1 apply. The power-frequency withstand voltage test shall be carried out in accordance with 8.4.3 b).

The verification of sufficient clearances and creepage distances shall be made in accordance with 8.4.2.

For terminal blocks for which the manufacturer has not declared a value of rated impulse withstand voltage ( $U_{imp}$ ), guidance for minimum values is given in Annex H of IEC 60947-1.

#### **7.2.3 Short-time withstand current**

A terminal block shall be capable of withstanding for 1 s the short-time withstand current which corresponds to 120 A/mm<sup>2</sup> of its rated cross-section, in accordance with 8.4.6.

#### **7.2.4 Voltage drop**

The voltage drop on a terminal block caused by the conductor connection, measured according to 8.4.4, shall not exceed the values specified in 8.4.4 and, where applicable, in 8.4.7.

#### **7.2.5 Electrical performance after ageing (for screwless-type terminal blocks only)**

Terminal blocks shall be capable of withstanding the ageing test comprising 192 temperature cycles in accordance with 8.4.7.

#### **7.3 Electromagnetic compatibility (EMC)**

Subclause 7.3 of IEC 60947-1 applies.

### **8 Tests**

#### **8.1 Kinds of test**

Subclause 8.1.1 of IEC 60947-1 applies with the following addition.

No routine tests are specified. The verification of the rated cross-section according to 8.3.3.5 is a special test. All other tests are type tests.

#### **8.2 General**

Unless otherwise specified, terminal blocks are tested in new and in clean condition, and installed as for normal use (see 6.3 of IEC 60947-1) at an ambient temperature of  $(20 \pm 5) ^\circ\text{C}$ .

NOTE "Normal use" means that five terminal blocks are mounted on their support, the remaining open side closed by an end plate and fixed by end brackets, if applicable.

The tests are carried out in the same order in which the subclauses describe them.

Each test is made on new separate specimens.

The tests of 8.3.3.2 and 8.3.3.3 are made on the same specimens.

The surface of the conductors shall be free of contamination and corrosion which degrades performance.

Care shall be taken when stripping conductors to avoid cutting, nicking, scraping or otherwise damaging the conductors.

In cases where the manufacturer has stated that special preparation of the end of the conductor is necessary, the test report shall indicate the method of preparation used.

The tests are carried out with the type of conductor (rigid or flexible) as stated by the manufacturer.

If one of the terminal blocks does not withstand one of the tests, this test shall be repeated on a second set of terminal blocks, all of which shall then comply with the repeated test. If this test is part of a test sequence, the complete test sequence shall be repeated.

### 8.3 Verification of mechanical characteristics

#### 8.3.1 General

The verification of mechanical characteristics includes the following tests:

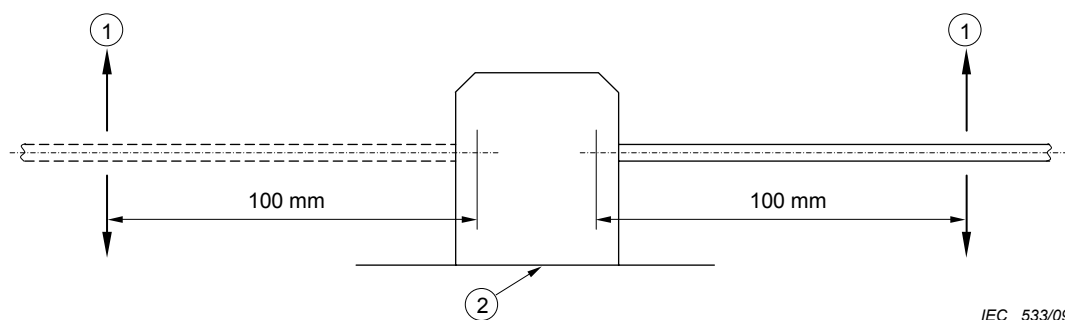
- attachment of the terminal block on its support (see 8.3.2);
- mechanical strength of clamping units (see 8.3.3.1);
- attachment of the conductors to the clamping units (see 8.3.3.2 and 8.3.3.3);
- rated cross-section and rated connecting capacity (see 8.3.3.4 and 8.3.3.5).

#### 8.3.2 Attachment of the terminal block on its support

The test shall be made on two clamping units at the centre terminal block out of five terminal blocks mounted as in normal use on the appropriate support according to the manufacturer's instructions.

A steel pin of 150 mm length and of a diameter as specified in Table 3 is clamped successively in each clamping unit. The tightening torque shall be in accordance with Table 4 of IEC 60947-1 or, alternatively, in accordance with the higher torque value stated by the manufacturer. A force corresponding to the values of Table 3 is applied to the pin regularly and without shocks at a distance of 100 mm from the centre of the clamping unit, according to Figure 1.

During the test, no terminal block shall work free from its rail or support, nor suffer any other damage.



#### Key

- 1 Force
- 2 Rail or support

**Figure 1 – Arrangement for test according to 8.3.2**

**Table 3 – Attachment test parameters**

Rated cross-section of the terminal block		Force N	Diameter of pin mm
mm <sup>2</sup>	AWG/kcmil		
0,2	24	1	1,0
0,34	22		
0,5	20		
0,75	18		
1,0	–		
1,5	16		
2,5	14		
4	12		
6	10	5	2,8
10	8		
16	6		
25	4	10	5,7
35	2		
50	0		
70	00		
95	000	15	12,8
–	0000		
120	250 kcmil		
150	300 kcmil		
185	350 kcmil		
240	500 kcmil	20	20,5
300	600 kcmil		

### 8.3.3 Mechanical properties of clamping units

#### 8.3.3.1 Test of mechanical strength of clamping units

Subclauses 8.2.4.1 and 8.2.4.2 of IEC 60947-1 apply with the following addition.

The test shall be made on two clamping units at the centre terminal block out of five terminal blocks mounted as in normal use on the appropriate support according to the manufacturer's instructions.

After verification of the voltage drop according to 8.4.4 with a connected rigid conductor of the rated cross-section stated by the manufacturer and subsequently, if applicable, with a connected flexible conductor of the minimum cross-section stated by the manufacturer, rigid conductors of the rated cross-section shall be connected and disconnected five times each.

At the end of the test, the terminal blocks shall pass the voltage drop test according to 8.4.4 with a connected rigid conductor of the rated cross-section and subsequently, if applicable, with a connected flexible conductor of the minimum cross-section.

#### 8.3.3.2 Testing for damage to and accidental loosening of conductors of a terminal block (flexion test)

Subclauses 8.2.4.1 and 8.2.4.3 of IEC 60947-1 apply with the following modification.

Each test shall be carried out on two clamping units of one terminal block.



The tightening torque shall be in accordance with Table 4 of IEC 60947-1 or alternatively in accordance with the higher torque value stated by the manufacturer.

The tests shall be made with the type (rigid and/or flexible) and the number of conductors stated by the manufacturer as follows:

- with the different types of conductor of the specified smallest cross-section (only one conductor connected);
- with the different types of conductor of the specified rated cross-section (only one conductor connected);

and, if applicable,

- with the type(s) of conductor of the largest connectable cross-section, if larger than the rated cross-section (only one conductor connected);
- with the different types and maximum number of conductors of the smallest cross-section simultaneously connectable;
- with the different types and maximum number of conductors of the largest cross-section simultaneously connectable;
- with the different types and maximum number of conductors of the smallest and largest cross-section simultaneously connectable.

#### **8.3.3.3 Pull-out test**

Subclause 8.2.4.4 of IEC 60947-1.

#### **8.3.3.4 Verification of rated cross-section and rated connecting capacity**

The test shall be carried out on each clamping unit of one terminal block.

For conductors of the rated cross-section and for terminal blocks with a rated connecting capacity up to 35 mm<sup>2</sup>, one conductor of the two next smaller cross-sections shall be inserted unhindered in the opened clamping unit and be connected.

Theoretical diameter of the largest conductor is given in Table 7a of IEC 60947-1.

#### **8.3.3.5 Verification of rated cross-section (special test with gauges)**

Subclause 8.2.4.5 of IEC 60947-1 applies with the following addition.

The test shall be carried out on each clamping unit of one terminal block.

### **8.4 Verification of electrical characteristics**

#### **8.4.1 General**

The verification of electrical characteristics includes the following:

- verification of clearances and creepage distances (see 8.4.2);
- dielectric test (see 8.4.3);
- verification of the voltage drop (see 8.4.4);
- temperature-rise test (see 8.4.5);
- short-time withstand current test (see 8.4.6);
- ageing test for screwless-type terminal blocks only (see 8.4.7).

## 8.4.2 Verification of clearances and creepage distances

### 8.4.2.1 General

The verification is made between two adjacent terminal blocks and between a terminal block and the metal support to which the terminal blocks are attached.

The measurement of clearances and creepage distances shall be made under the following conditions:

- a) the terminal blocks shall be wired with the most unfavourable conductor type(s) and conductor cross-section(s) among those declared by the manufacturer;
- b) the conductor ends shall be stripped to a length specified by the manufacturer;
- c) in case the manufacturer has stated the possibility of using different metal supports, the most unfavourable support shall be used.

The method of measuring clearances and creepage distances is given in Annex G of IEC 60947-1.

### 8.4.2.2 Clearances

The measured values of clearances shall be higher than the values given in Table 13 of IEC 60947-1 for case B – homogeneous field (see 7.2.3.3 of IEC 60947-1) depending on the value of the rated impulse withstand voltage ( $U_{imp}$ ) and the pollution degree stated by the manufacturer.

The impulse withstand voltage test shall be carried out in accordance with 8.4.3 a) unless the measured clearances are equal to or larger than the values given in Table 13 of IEC 60947-1 for case A – inhomogeneous field (see 8.3.3.4.1, item 2), of IEC 60947-1).

### 8.4.2.3 Creepage distances

The measured creepage distances shall be not less than the values given in table 15 of IEC 60947-1 in connection with 7.2.3.4 a) and b) of IEC 60947-1 depending on the rated insulation voltage ( $U_i$ ), the material group and the pollution degree as specified by the manufacturer.

### 8.4.3 Dielectric tests

- a) If the manufacturer has declared a value for the rated impulse withstand voltage  $U_{imp}$ , the impulse withstand voltage test shall be made in accordance with 8.3.3.4.1, item 2), of IEC 60947-1, except item 2) c) which does not apply.
- b) The power-frequency withstand verification of solid insulation shall be made in accordance with 8.3.3.4.1, item 3), of IEC 60947-1. The value of the test voltage shall be as stated in Table 12A of IEC 60947-1 (see 8.3.3.4.1, item 3) b) i), of IEC 60947-1).

Each test shall be carried out on five adjacent terminal blocks wired and installed on a metal support under conditions a), b) and c) indicated in 8.4.2.1.

The test voltage shall be applied first between the adjacent terminal blocks and then between all terminal blocks connected together and the support to which the terminal blocks are attached.

## 8.4.4 Verification of the voltage drop

The voltage drop shall be verified

- a) before and after the test of mechanical strength of clamping units (see 8.3.3.1);
- b) before and after the temperature-rise test (see 8.4.5);

- c) before and after the short-time withstand current test (see 8.4.6);
- d) before, during and after the ageing test (see 8.4.7).

The verification is made as specified in 8.3.3.1, 8.4.5, 8.4.6 and 8.4.7.

The voltage drop is measured on each terminal block as indicated in Figure 2. The measurement is made with a direct current of 0,1 times the value given in Table 4 or Table 5.

Before the tests according to a), b), c) and d) above, the voltage drop shall not exceed

- 3,2 mV, or
- 1,6 mV on each individual clamping unit when measured separately, only if the overall measured value in Figure 2 exceeds 3,2 mV.

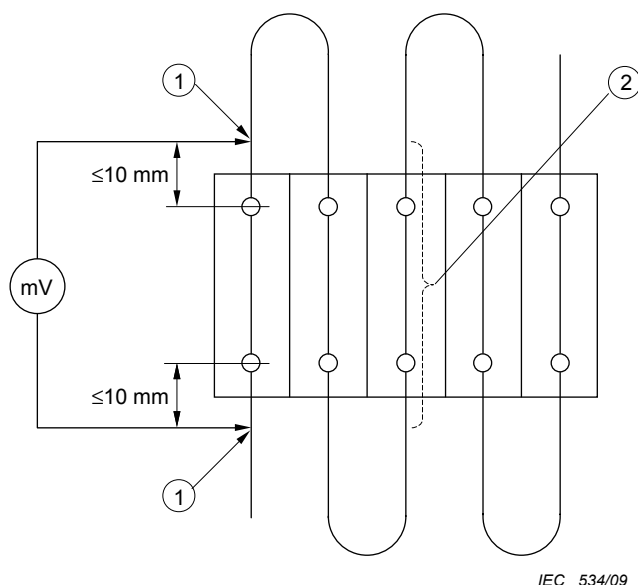
If the measured value exceeds 3,2 mV, the voltage drop is determined on each individual clamping unit separately, which shall not exceed 1,6 mV.

After the tests according to a), b) and c), the voltage drop shall not exceed 150 % of the values measured before the test.

During and after the test according to d), the voltage drop measured shall not exceed the values specified in 8.4.7.

**Table 4 – Values of test current for temperature-rise test, ageing test and voltage drop verification for metric wire sizes**

<b>Rated cross-section mm<sup>2</sup></b>	0,2	0,34	0,5	0,75	1	1,5	2,5	4	6	10	16
<b>Test current A</b>	4	5	6	9	13,5	17,5	24	32	41	57	76
<b>Rated cross-section mm<sup>2</sup></b>	25	35	50	70	95	120	150	185	240	300	
<b>Test current A</b>	101	125	150	192	232	269	309	353	415	520	



**Key**

- 1 Measuring point of voltage drop
- 2 Measuring of temperature

**Figure 2 – Arrangement for tests according to 8.4.5 and 8.4.7, and for the verification of voltage drop**

**Table 5 – Values of test current for temperature-rise test, ageing test and voltage drop verification for AWG or kcmil wire sizes**

<b>Rated cross-section AWG</b>	24	22	20	18	16	14	12	10	8	6	4
<b>Test current A</b>	4	6	8	10	16	22	29	38	50	67	90
<b>Rated cross-section AWG or kcmil</b>	2	1	0	00	000	0000	250 kcmil	300 kcmil	350 kcmil	500 kcmil	600 kcmil
<b>Test current A</b>	121	139	162	185	217	242	271	309	353	415	520

**8.4.5 Temperature-rise test**

The test is made simultaneously on five adjacent terminal blocks connected in series by PVC-insulated conductors of the rated cross-section, as shown in Figure 2. The tightening torque shall be in accordance with Table 4 of IEC 60947-1 or alternatively in accordance with the higher torque value stated by the manufacturer. The minimum length of each of the six conductors shall be 1 m for rated cross-sections up to and including 10 mm<sup>2</sup> (AWG 8), and 2 m for larger rated cross-sections.

The test circuit shall be located horizontally on a wooden surface as shown in Figure 2 (e.g. table top or floor), the terminal blocks being securely fixed to this surface and the conductors lying freely on it.

If the rated cross-section is below 10 mm<sup>2</sup> (AWG 8), the conductors shall be solid. For rated cross-sections equal to or higher than 10 mm<sup>2</sup> (AWG 8), the conductors shall be rigid stranded.

During the test, screws of clamping units shall not be retightened.

After verification of the voltage drop according to 8.4.4, the test is made with a.c. single-phase current as given in Table 4 or Table 5 according to the rated cross-section, and is continued until steady temperature is reached. A variation of less than 1 K between any two out of three consecutive measurements made at an interval of 5 min is considered as steady temperature.

For multi-tier terminal blocks, the test is made either with an a.c. single-phase current as given in Table 4 or Table 5, or with the conventional free air thermal current ( $I_{th}$ ) specified by the manufacturer.

The temperature-rise of any part of the centrally located terminal block shall not exceed the limit given in 7.2.1 (see Figure 2).

At the end of the test, after cooling down to ambient air temperature and without any change in the arrangement, the terminal blocks shall pass the voltage drop test according to 8.4.4.

#### **8.4.6 Short-time withstand current test**

The purpose of this test is to verify the ability to withstand a thermal shock.

The test is performed on one terminal block installed according to the manufacturer's instructions. The tightening torque shall be in accordance with Table 4 of IEC 60947-1 or alternatively in accordance with the higher torque value stated by the manufacturer.

If the rated cross-section is below 10 mm<sup>2</sup> (AWG 8), the conductors shall be solid. For rated cross-sections equal to or higher than 10 mm<sup>2</sup> (AWG 8), the conductors shall be rigid stranded.

After verification of the voltage drop according to 8.4.4, the value and the duration of the test current shall be in accordance with 7.2.3.

At the end of the test, continuity shall exist on the test sample assembly and the terminal blocks shall not show any cracking, breakage or other critical damage. After cooling down to ambient temperature and without any change in the arrangement, the terminal block shall pass the voltage drop test according to 8.4.4.

#### **8.4.7 Ageing test (for screwless-type terminal blocks only)**

The test is made simultaneously on five adjacent terminal blocks connected in series by conductors of the rated cross-section, as shown in Figure 2.

If the rated cross-section is below 10 mm<sup>2</sup> (AWG 8), the conductors shall be solid. For rated cross-sections equal to or higher than 10 mm<sup>2</sup> (AWG 8), the conductors shall be rigid stranded.

For terminal blocks intended for use under "normal service conditions" (maximum 40 °C according to 6.1.1 of IEC 60947-1), PVC-insulated conductors shall be used.

For terminal blocks for which the manufacturer has specified "maximum service conditions above 40 °C" (see 6.1.1, note 1, of IEC 60947-1), heat-resistant, insulated or non-insulated conductors shall be used.

The minimum length of the conductor bridges shall be 300 mm.

The terminal blocks are placed in a heating cabinet which is initially kept at a temperature of (20 ± 2) °C and then submitted to the verification of the voltage drop test.

The whole test arrangement, including the conductors, shall not be moved until the voltage drop test has been completed.

The terminal blocks are submitted to 192 temperature cycles as follows.

The temperature in the heating cabinet is increased to 40 °C according 8.3.3.3.1 of IEC 60947-1 or to the temperature value declared by the manufacturer for “maximum service conditions”.

The temperature is maintained within  $\pm 5$  °C of this value for approximately 10 min.

During this test period the current according to 8.4.5 is applied.

The terminal blocks are then cooled down to a temperature of approximately 30 °C, forced cooling being allowed; they are kept at this temperature for approximately 10 min and, if necessary for measuring the voltage drop, it is allowed to cool down further to a temperature of  $(20 \pm 5)$  °C.

NOTE As a guide, a value for the heating and cooling rate of the heating cabinet of approximately 1,5 °C/min may be taken as a basis.

The voltage drop on each terminal block is also determined according to 8.4.4 after each of 24 temperature cycles and after the 192 temperature cycles have been completed, each time at a temperature of  $(20 \pm 5)$  °C.

In no case the voltage drop shall exceed 4,8 mV or 1,5 times the value measured after the 24<sup>th</sup> cycle, whichever is the lower.

After this test, a visual inspection shall show no changes impairing further use such as cracks, deformations or the like.

Furthermore, the pull-out test according to 8.3.3.3 shall be carried out.

## **8.5 Verification of thermal characteristics**

The thermal characteristics are checked by the needle flame test.

The test is carried out according to IEC 60695-11-5 successively in the area of one clamping unit of three terminal blocks.

The test room shall be substantially draught-free with dimensions sufficient to ensure an adequate supply of air.

Before the test, the terminal blocks are stored for 24 h in an atmosphere having a temperature between 15 °C and 35 °C and a relative humidity between 45 % and 75 %.

After this preconditioning, the terminal block is mounted on its appropriate support and fixed with suitable means so that one lateral insulation wall lies parallel to the layer placed below it (see Figure 3).

Conductors are not connected.

The layer placed below, which consists of an approximately 10 mm thick pinewood board covered with a single layer of tissue paper (grammage between 12 g/m<sup>2</sup> to 30 g/m<sup>2</sup> according to 4.215 of ISO 4046-4:2002, is positioned at a distance of  $(200 \pm 5)$  mm below the terminal block.

The test flame, adjusted in accordance with Figure 1a) of IEC 60695-11-5, is guided under an angle of 45° to the lateral insulation wall.

The tip of the flame shall make contact with the insulation wall in the area of the clamping unit (see Figure 4).

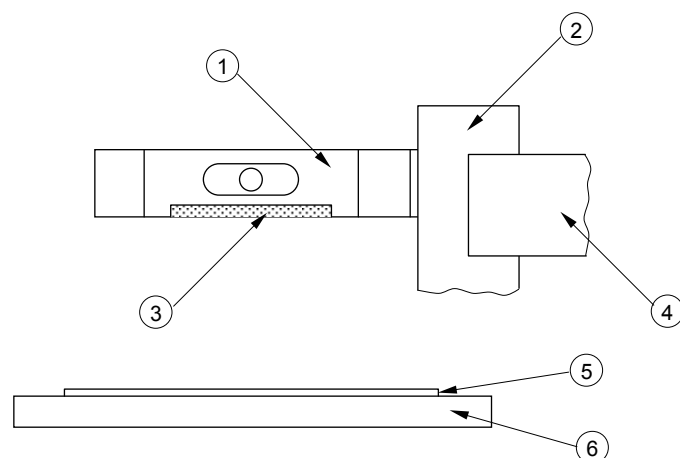
The flame is applied for 10 s. For insulation walls <1 mm and/or an area <100 mm<sup>2</sup>, the flame is applied for 5 s.

After the flame is removed, the duration of burning in the case of ignition is measured.

Duration of burning denotes the time interval from the moment the flame is removed until flames or glowing of the terminal block have extinguished.

The terminal blocks are considered to have passed the test if the duration of burning is <30 s in case of ignition.

Moreover, the tissue paper on the pinwood board shall not ignite if burning or glowing particles fall from the terminal block.

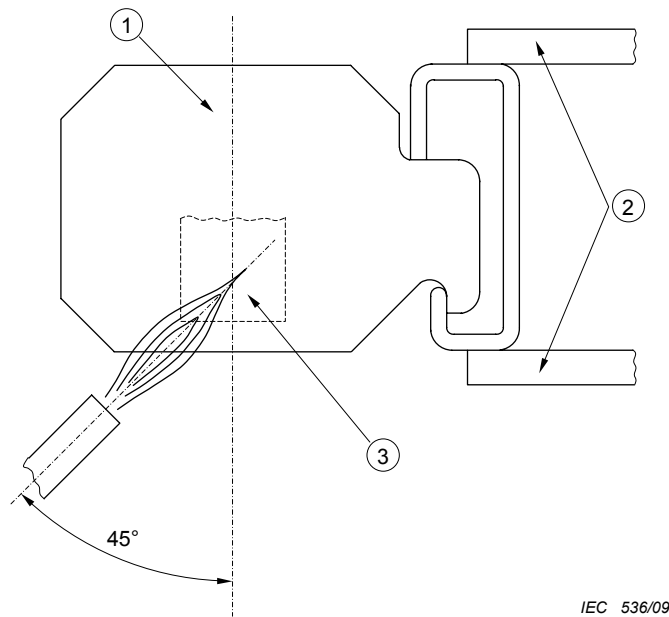


IEC 535/09

**Key**

- 1 Terminal block
- 2 Support of the terminal block
- 3 Lateral insulation wall
- 4 Fixing means
- 5 Tissue paper
- 6 Pinwood board

**Figure 3 – Arrangement for test according to 8.5**



**Key**

- 1 Terminal block
- 2 Fixing means
- 3 Clamping part in the area of the damping unit

**Figure 4 – Point of test flame contact  
(view from the layer placed below the terminal block)**

**8.6 Verification of EMC characteristics**

Subclause 8.4 of IEC 60947-1 applies with the following addition.

**8.6.1 Immunity**

Terminal blocks within the scope of this standard are not sensitive to electromagnetic disturbances and therefore no immunity tests are necessary.

**8.6.2 Emission**

Terminal blocks within the scope of this standard do not generate electromagnetic disturbances and therefore no emission tests are necessary.



**Annex A**  
**Vacant**

**Annex B**  
(informative)

**Items subject to agreement between manufacturer and user**

NOTE For the purpose of this annex, the word “agreement” is used in a very wide sense; the word “user” includes testing stations.

Annex J of IEC 60947-1 applies, as far as is covered by clauses and subclauses of this standard, with the following additions:

Clause or subclause number of this standard	Point
8.2	Test conductors: – special preparation of the end, if needed – type (flexible, rigid)
8.3.3.1	Smallest connectable cross-section for the voltage drop verification
8.3.2 } 8.3.3 } 8.4.5 } 8.4.6 }	Tightening torque for securing the test conductors, if different from the values given in table 4 of IEC 60947-1
8.3.3.5	Special test
8.4.7	Temperature for the ageing test, if different from +40 °C
NOTE All the above items are, where applicable, stated by the manufacturer.	

**Annex C**  
**Vacant**

## **Annex D** (normative)

### **Additional requirements for test disconnect terminal blocks**

#### **D.1 Scope**

This annex specifies the requirements for test disconnect terminal blocks which are intended to accommodate conductors having a cross section between 0,2 mm<sup>2</sup> and 35 mm<sup>2</sup>. These terminal blocks are intended to be used in power and control circuits for temporary disconnection (for testing purposes) at zero potential and at no load.

#### **D.2 Terms and definitions**

Clause 2 applies with the following additions:

##### **D.2.1**

##### **test disconnect terminal block**

terminal block with one or more clamping units and disconnect unit(s) in the current circuit for temporary opening and closing of power and control circuits at zero potential for testing and measuring purposes

##### **D.2.2**

##### **longitudinal disconnection**

disconnection of a circuit within a terminal block or from a terminal block to a busbar within a terminal assembly (see Figure D.1a)

##### **D.2.3**

##### **perpendicular disconnection**

disconnection between several circuits of adjacent test disconnect terminal blocks or terminal blocks (see Figure D.1b)

#### **D.3 Classification**

Clause 3 applies with the following addition:

- longitudinal disconnection
- perpendicular disconnection.

#### **D.4 Characteristics**

Clause 4 applies with the following addition.

##### **D.4.2 Type of terminal block**

- type of disconnection/disconnecting function (e. g. screw-type disconnect slide or screwless-type disconnect slide, disconnect knife, etc.)

#### **D.5 Product information**

Clause 5 applies with the following addition:

- h) service life in number of cycles.

## **D.6 Normal service, mounting and transport conditions**

Clause 6 applies.

## **D.7 Constructional and performance requirements**

Clause 7 applies with the following addition.

### **D.7.1 Constructional requirements**

#### **D.7.1.3 Clearances and creepage distances**

Creepage and clearance distances are not required to be measured over the open disconnect contacts (gap).

However, the rated impulse withstand voltage ( $U_{imp}$ ) stated by the manufacturer according to Table 13 of IEC 60947-1, without using the altitude correction factor, shall be verified across the open disconnect contacts (gap).

#### **D.7.1.7 Disconnect unit**

For longitudinal and perpendicular disconnection, test disconnect terminal blocks may be equipped with disconnect units, for instance of the following type:

- plug;
- knife;
- slide (with or without busbar).

The position of the disconnect unit shall be recognizable in normal use and shall not be changed unintentionally.

### **D.7.2 Performance requirements**

#### **D.7.2.1 Temperature rise**

Test disconnect terminal blocks shall be tested in accordance with D.8.4.5. The temperature rise of any part of the terminal blocks shall not exceed 45 K.

#### **D.7.2.2 Dielectric properties**

Subclause 7.2.2 applies except for open disconnect contacts (gap) for which the following specification applies.

The value of the rated impulse withstand voltage ( $U_{imp}$ ) stated by the manufacturer shall be verified by the impulse withstand voltage test according to IEC 60947-1, Table 13 without using the altitude correction factor.

When the manufacturer has not declared a value of rated impulse withstand voltage ( $U_{imp}$ ), guidance for minimum values is given in Annex H of IEC 60947-1.

#### **D.7.2.3 Short-time withstand current**

The text of 7.2.3 is supplemented by the following:

If the manufacturer has declared a conventional free air thermal current ( $I_{th}$ ) value for the test disconnect terminal block, the terminal block shall be capable of withstanding for 1 s the short-time withstand current at a current density of 120 A/mm<sup>2</sup> with respect to the corresponding conductor cross-section according to D.8.4.6.

**D.7.2.4 Voltage drop**

The voltage drop on a test disconnect terminal block, measured according to D.8.4.4, shall not exceed the values given in D.8.4.4 and, where applicable, in D.8.4.7.

**D.7.2.5 Electrical performance after ageing (for test disconnect terminal blocks with screwless-type clamping units only)**

Subclause 7.2.5 applies with the following addition.

If the manufacturer has declared a current value for the test disconnect terminal block, D.8.4.7 applies.

**D.7.2.6 Service life**

Test disconnect terminal blocks shall sufficiently withstand mechanical and thermal conditioning which may appear in normal use.

For the mechanical actuation of the disconnect units, the information given by the manufacturer shall be considered. Preferred values for the number of operating cycles are given in Table D.1.

Compliance is checked in accordance with D.8.5.1.

**Table D.1 – Operating cycles**

Preferred number
10
50
100
500
1 000

**D.8 Tests**

Clause 8 applies with the following modifications:

**D.8.4.4 Verification of the voltage drop**

The text of 8.4.4 is replaced by the following.

The voltage drop shall be verified:

- a) before and after the test of mechanical strength of clamping units (see 8.3.3.1);
- b) before and after the temperature-rise test (see 8.4.5);
- c) before and after the short-time withstand current test (see 8.4.6 or D.8.4.6 if the manufacturer has declared a current value);
- d) before, during and after the ageing test (see 8.4.7 or D.8.4.7 if the manufacturer has declared a current value);
- e) before and after the life test (see D.8.5.1).

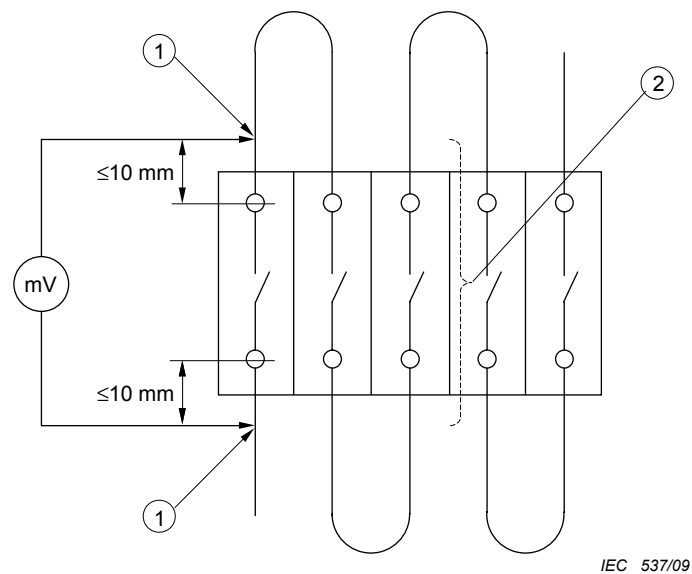
The verification is made as specified in 8.3.3.2, D.8.4.5, 8.4.6 or D.8.4.6 and 8.4.7 or D.8.4.7.

The voltage drop is measured on each terminal block as indicated in Figure D.1. The measurement is made with a direct current. The measuring current is 0,1 times the value of the test current given in Table D.2 or D.3.

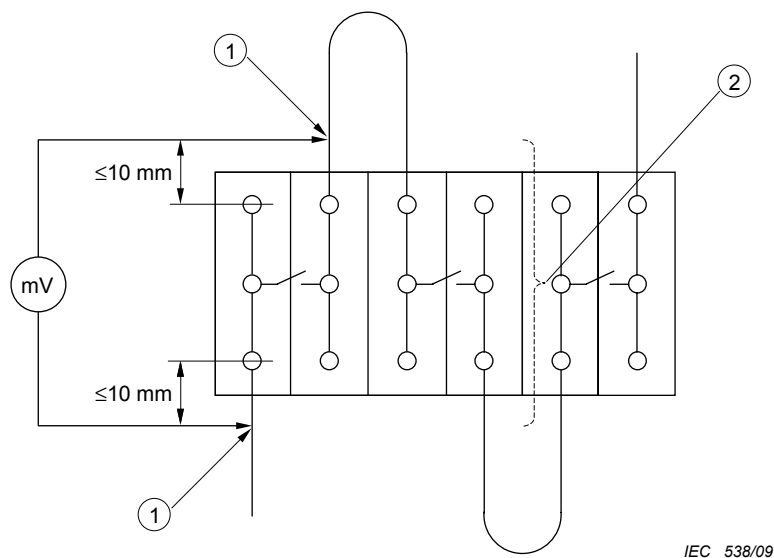
Before the tests according to a), b), c), d) and e), the voltage drop on the test disconnect terminal block shall not exceed 1,6 mV times the total number of conductor clamping unit and disconnect unit contact points. If the measured value exceeds this calculated value, the voltage drop is measured on each individual conductor clamping unit and disconnect unit contact point. It shall not exceed 1,6 mV on any conductor clamping unit or disconnect unit contact point.

After the tests according to a), b), c) and e), the voltage drop shall not exceed 150 % of the values measured before the test.

During and after the tests according d), the voltage drop measured shall not exceed the values specified in D.8.4.7.



**Figure D.1a – Verification of the voltage drop for longitudinal disconnection within the terminal block**



**Figure D.1b – Verification of the voltage drop for perpendicular disconnection**

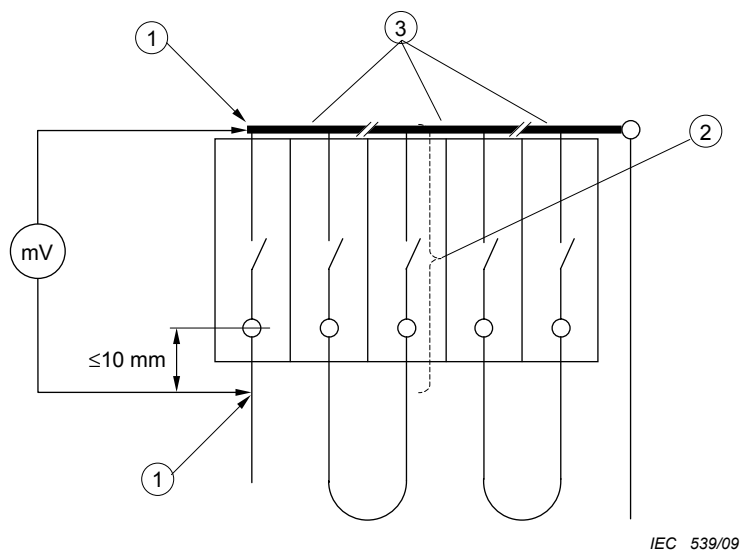


Figure D.1c – Verification of the voltage drop for direct longitudinal disconnection to the busbar

**Key**

- 1 Measuring point of voltage drop
- 2 Measuring of temperature
- 3 Busbar sections

Figure D.1 – Test requirements according to D.8.4.4 for verification of the voltage drop

Table D.2 – Values of test current for temperature-rise test, ageing test and voltage drop verification for metric wire sizes

Rated cross-section mm <sup>2</sup>	0,2	0,34	0,5	0,75	1	1,5	2,5	4	6	10	16	25	35
Test current A	4	5	6	9	13,5	17,5	24	32	41	57	76	101	125

Table D.3 – Values of test current for temperature-rise test, ageing test and voltage drop verification for AWG or kcmil wire sizes

Rated cross-section AWG	24	22	20	18	16	14	12	10	8	6	4	2
Test current A	4	6	8	10	16	22	29	38	50	67	90	121

**D.8.4.5 Temperature-rise test**

Subclause 8.4.5 applies with the following modification of the first paragraph.

The test is made simultaneously on adjacent test disconnect terminal blocks connected in series by PVC-insulated conductors of the rated cross-section, as shown in Figure D.1. The conductors on terminal blocks with screw-type clamping units and screw-type disconnect units shall be tightened with a torque according to Table 4 of IEC 60947-1 or alternatively in accordance with the higher torque value stated by the manufacturer. If the manufacturer has declared a conventional free air thermal current ( $I_{th}$ ) value for the test disconnect terminal



block, the test is made with a.c. single-phase current according to this value. Otherwise the test is made with an a.c. single-phase current as given in Table D.2 or Table D.3.

#### D.8.4.6 Short-time withstand current test

The purpose of this test is to verify the ability to withstand a thermal shock.

The test is performed on one test disconnect terminal block installed according to the manufacturer's instructions.

The conductor cross-section with which the terminal is wired and the short-time withstand current shall be taken from Table D.4 or Table D.5.

Conductors on terminal blocks with screw-type clamping units and screw-type disconnect units, if applicable, shall be tightened with a torque according to Table 4 of IEC 60947-1 or alternatively in accordance with the higher torque value stated by the manufacturer.

If the conductor cross-section is below 10 mm<sup>2</sup> (AWG 8), the conductors shall be solid. For conductor cross-sections equal to or higher than 10 mm<sup>2</sup> (AWG 8), the conductors shall be rigid stranded.

After verification of the voltage drop according to D.8.4.4, the test shall be performed with a short-time withstand current as specified above and with a duration according to D.7.2.3.

At the end of the test no damage that may impair further use shall have occurred to any part of the test disconnect terminal block. After cooling down to ambient temperature and without any change in the arrangement, the test disconnect terminal block shall pass the voltage drop test according to D.8.4.4.

**Table D.4 – Short-time withstand current and corresponding wire sizes in mm<sup>2</sup>**

Current as stated by the manufacturer A	Corresponding conductor cross-section mm <sup>2</sup>	Short-time withstand current (120 A/ mm <sup>2</sup> ) A
0 < I ≤ 4	0,2	24
4 < I ≤ 5	0,34	40,8
5 < I ≤ 6	0,5	60
6 < I ≤ 9	0,75	90
9 < I ≤ 13,5	1	120
13,5 < I ≤ 17,5	1,5	180
17,5 < I ≤ 24	2,5	300
24 < I ≤ 32	4	480
32 < I ≤ 41	6	720
41 < I ≤ 57	10	1 200
57 < I ≤ 76	16	1 920
76 < I ≤ 101	25	3 000
101 < I ≤ 125	35	4 200

**Table D.5 – Short-time withstand current and corresponding wire sizes in AWG**

Current as stated by the manufacturer A	Corresponding conductor cross-section AWG	Short-time withstand current (120 A/mm <sup>2</sup> ) A
0 < I ≤ 4	24	24,6
4 < I ≤ 6	22	38,9
6 < I ≤ 8	20	62,3
8 < I ≤ 10	18	98,4
10 < I ≤ 16	16	156
16 < I ≤ 22	14	252
22 < I ≤ 29	12	396
29 < I ≤ 38	10	636
38 < I ≤ 50	8	1 008
50 < I ≤ 67	6	1 596
67 < I ≤ 90	4	2 544
90 < I ≤ 121	2	4 032

**D.8.4.7 Ageing test for test disconnect terminal blocks with screwless-type clamping units**

Subclause 8.4.7 applies with the following additions. During this test period the current according to D.8.4.5 is applied. Screw-type disconnect units shall be tightened with a torque according to Table 4 of IEC 60947-1 or, if applicable, a higher value stated by the manufacturer.

For this test, the voltage drop shall be measured on each individual conductor clamping unit according to Figure D.1.

In no case the voltage drop on each individual conductor clamping unit shall exceed 2,4 mV or 1,5 times the value measured after the 24<sup>th</sup> cycle, whichever is the lower.

**D.8.5 Verification of thermal characteristics**

Subclause 8.5 applies with the following addition.

**D.8.5.1 Service life**

The test shall be performed on adjacent test disconnect terminal blocks connected in series by conductors of the rated cross-section as shown in Figure D.1.

Screw-type disconnect units shall be tightened with a torque according to Table 4 of IEC 60947-1 or, if applicable, a higher value stated by the manufacturer.

The tightening torque shall be in accordance with Table 4 of IEC 60947-1 or alternatively in accordance with the higher torque value stated by the manufacturer

After verification of the voltage drop according to D.8.4.4, the disconnect units of the specimens are disconnected and connected one after the other, as intended in normal use, at zero potential with the number of operating cycles stated by the manufacturer.

The entire test apparatus is then stored for 168 h in dry heat at a temperature of 85 °C.

At the end of the test after cooling down to ambient temperature and without any change in the arrangement, the specimens shall pass the voltage drop test according to D.8.4.4.

**D.8.6 Verification of EMC characteristics**

Subclause 8.6 applies.

## Bibliography

IEC 60228, Conductors of insulated cables

IEC/TR 60344, Calculation of d.c. resistance of plain and coated copper conductors of low-frequency cables and wires –Application guide

IEC 60715, Dimensions of low-voltage switchgear and controlgear – Standardized mounting on rails for mechanical support of electrical devices in switchgear and controlgear installations

ASTM B 172-71 (Re-approved 1985), *Standard specification for rope – Lay-stranded copper conductors having bunch-stranded members, for electrical energy*

ICEA Publication S-19-81 (6<sup>th</sup> edition) / NEMA Publication WC 3-1980 – Rubber insulated wire and cable for the transmission and distribution of electrical energy

ICEA Publication S-66-524 (2<sup>nd</sup> edition) / NEMA Publication WC 7-1982 – Cross-linked thermosetting polyethylene insulated wire and cable for the transmission and distribution of electrical energy

ICEA Publication S-68-516 / NEMA Publication WC 8-1976 – Ethylene propylene-rubber-insulated wire and cable for the transmission and distribution of electrical energy

---



## SOMMAIRE

AVANT-PROPOS.....	38
1 Généralités.....	40
1.1 Domaine d'application.....	40
1.2 Références normatives.....	40
2 Définitions.....	41
3 Classification.....	41
4 Caractéristiques.....	41
4.1 Enumération des caractéristiques.....	41
4.2 Type du bloc de jonction.....	41
4.3 Valeurs assignées et valeurs limites.....	42
4.3.1 Tensions assignées.....	42
4.3.2 Courant de courte durée admissible.....	42
4.3.3 Sections normales.....	42
4.3.4 Section assignée.....	42
4.3.5 Capacité assignée de raccordement.....	43
5 Information sur le matériel.....	43
5.1 Marquage.....	43
5.2 Informations complémentaires.....	43
6 Conditions normales de service, de montage et de transport.....	44
7 Dispositions relatives à la construction et au fonctionnement.....	44
7.1 Dispositions relatives à la construction.....	44
7.1.1 Organes de serrage.....	44
7.1.2 Montage.....	44
7.1.3 Distances d'isolement et lignes de fuite.....	44
7.1.4 Identification et marquage des bornes.....	44
7.1.5 Résistance à la chaleur anormale et au feu.....	45
7.1.6 Section assignée et capacité assignée de raccordement.....	45
7.2 Dispositions relatives au fonctionnement.....	45
7.2.1 Echauffement.....	45
7.2.2 Propriétés diélectriques.....	45
7.2.3 Courant de courte durée admissible.....	45
7.2.4 Chute de tension.....	46
7.2.5 Fonctionnement électrique après vieillissement (pour les blocs de jonction du type sans vis seulement).....	46
7.3 Compatibilité électromagnétique (CEM).....	46
8 Essais.....	46
8.1 Nature des essais.....	46
8.2 Généralités.....	46
8.3 Vérification des caractéristiques mécaniques.....	47
8.3.1 Généralités.....	47
8.3.2 Tenue du bloc de jonction sur son support.....	47
8.3.3 Propriétés mécaniques des organes de serrage.....	48
8.4 Vérification des caractéristiques électriques.....	49
8.4.1 Généralités.....	49
8.4.2 Vérification des distances d'isolement et des lignes de fuite.....	50
8.4.3 Essais diélectriques.....	50

8.4.4	Vérification de la chute de tension .....	51
8.4.5	Essai d'échauffement .....	52
8.4.6	Essai de tenue au courant de courte durée admissible .....	53
8.4.7	Essai de vieillissement (pour les blocs de jonction du type sans vis seulement) .....	53
8.5	Vérification des caractéristiques thermiques .....	54
8.6	Vérification des caractéristiques de CEM .....	56
8.6.1	Immunité .....	56
8.6.2	Emission .....	56
Annexe A Vide .....		57
Annexe B (informative) Points faisant l'objet d'un accord entre le constructeur et l'utilisateur .....		58
Annexe C Vide .....		59
Annexe D (normative) Exigences supplémentaires pour les blocs de jonction de déconnexion d'essai .....		60
Bibliographie .....		68
Figure 1 – Disposition pour l'essai de 8.3.2 .....		47
Figure 2 – Disposition pour les essais selon 8.4.5 et 8.4.7, et pour la vérification de la chute de tension .....		52
Figure 3 – Disposition pour l'essai selon 8.5 .....		55
Figure 4 – Point de contact de la flamme d'essai (vue depuis la couche située sous le bloc de jonction) .....		56
Figure D.1 – Exigences d'essai selon D.8.4.4 pour la vérification de la chute de tension .....		64
Tableau 1 – Sections normales des conducteurs ronds en cuivre .....		42
Tableau 2 – Relation entre la section assignée et la capacité assignée de raccordement des blocs de jonction .....		43
Tableau 3 – Paramètres de l'essai de tenue .....		48
Tableau 4 – Valeurs des courants d'essai pour les essais d'échauffement, de vieillissement et de chute de tension pour les conducteurs de sections exprimées selon le système métrique .....		51
Tableau 5 – Valeurs des courants d'essai pour les essais d'échauffement, de vieillissement et de chute de tension pour les conducteurs de sections de câble exprimées en AWG ou kcmil .....		52
Tableau D.1 – Cycles de manoeuvre .....		62
Tableau D.2 – Valeurs des courants d'essai pour les essais d'échauffement, de vieillissement et de chute de tension pour les conducteurs de sections exprimées selon le système métrique .....		65
Tableau D.3 – Valeurs des courants d'essai pour les essais d'échauffement, de vieillissement et de chute de tension pour les conducteurs de sections de câble exprimées en AWG ou kcmil .....		65
Tableau D.4 – Courant de courte durée admissible et section de conducteur correspondante en mm <sup>2</sup> .....		66
Tableau D.5 – Courant de courte durée admissible et section de conducteur correspondante en AWG .....		66

# COMMISSION ÉLECTROTECHNIQUE INTERNATIONALE

## APPAREILLAGE À BASSE TENSION –

### Partie 7-1: Matériels accessoires – Blocs de jonction pour conducteurs en cuivre

#### AVANT-PROPOS

- 1) La Commission Electrotechnique Internationale (CEI) est une organisation mondiale de normalisation composée de l'ensemble des comités électrotechniques nationaux (Comités nationaux de la CEI). La CEI a pour objet de favoriser la coopération internationale pour toutes les questions de normalisation dans les domaines de l'électricité et de l'électronique. A cet effet, la CEI – entre autres activités – publie des Normes internationales, des Spécifications techniques, des Rapports techniques, des Spécifications accessibles au public (PAS) et des Guides (ci-après dénommés "Publication(s) de la CEI"). Leur élaboration est confiée à des comités d'études, aux travaux desquels tout Comité national intéressé par le sujet traité peut participer. Les organisations internationales, gouvernementales et non gouvernementales, en liaison avec la CEI, participent également aux travaux. La CEI collabore étroitement avec l'Organisation Internationale de Normalisation (ISO), selon des conditions fixées par accord entre les deux organisations.
- 2) Les décisions ou accords officiels de la CEI concernant les questions techniques représentent, dans la mesure du possible, un accord international sur les sujets étudiés, étant donné que les Comités nationaux de la CEI intéressés sont représentés dans chaque comité d'études.
- 3) Les Publications de la CEI se présentent sous la forme de recommandations internationales et sont agréées comme telles par les Comités nationaux de la CEI. Tous les efforts raisonnables sont entrepris afin que la CEI s'assure de l'exactitude du contenu technique de ses publications; la CEI ne peut pas être tenue responsable de l'éventuelle mauvaise utilisation ou interprétation qui en est faite par un quelconque utilisateur final.
- 4) Dans le but d'encourager l'uniformité internationale, les Comités nationaux de la CEI s'engagent, dans toute la mesure possible, à appliquer de façon transparente les Publications de la CEI dans leurs publications nationales et régionales. Toutes divergences entre toutes Publications de la CEI et toutes publications nationales ou régionales correspondantes doivent être indiquées en termes clairs dans ces dernières.
- 5) La CEI n'a prévu aucune procédure de marquage valant indication d'approbation et n'engage pas sa responsabilité pour les équipements déclarés conformes à une de ses Publications.
- 6) Tous les utilisateurs doivent s'assurer qu'ils sont en possession de la dernière édition de cette publication.
- 7) Aucune responsabilité ne doit être imputée à la CEI, à ses administrateurs, employés, auxiliaires ou mandataires, y compris ses experts particuliers et les membres de ses comités d'études et des Comités nationaux de la CEI, pour tout préjudice causé en cas de dommages corporels et matériels, ou de tout autre dommage de quelque nature que ce soit, directe ou indirecte, ou pour supporter les coûts (y compris les frais de justice) et les dépenses découlant de la publication ou de l'utilisation de cette Publication de la CEI ou de toute autre Publication de la CEI, ou au crédit qui lui est accordé.
- 8) L'attention est attirée sur les références normatives citées dans cette publication. L'utilisation de publications référencées est obligatoire pour une application correcte de la présente publication.
- 9) L'attention est attirée sur le fait que certains des éléments de la présente Publication de la CEI peuvent faire l'objet de droits de propriété intellectuelle ou de droits analogues. La CEI ne saurait être tenue pour responsable de ne pas avoir identifié de tels droits de propriété et de ne pas avoir signalé leur existence.

La Norme internationale CEI 60947-7-1 a été établie par le sous-comité 17B: Appareillage à basse tension, du comité d'études 17 de la CEI: Appareillage.

Cette troisième édition de la CEI 60947-7-1 annule et remplace la deuxième édition, parue en 2002, et constitue une révision technique.

Les modifications techniques majeures de la présente norme depuis la précédente publication sont listées ci-dessous:

- l'ajout dans le domaine d'application que la présente norme peut être utilisée comme un guide pour des types particuliers de blocs de jonction, par exemple comportant des diodes ou des varistances ou des porteurs d'éléments similaires;
- le courant thermique conventionnel à l'air libre ajouté en 5.2 dans la liste des informations à établir par le constructeur;



- la mise à jour de 7.1.4 spécifiant que la combinaison de couleur vert-jaune n'est pas admise pour les blocs de jonction;
- les conséquences en cas d'essais séparés ayant failli et en cas d'essais ayant failli au cours des séquences d'essai spécifiées en 8.2;
- les exigences concernant les distances d'isolement et les lignes de fuite remplacées par la référence à l'Annexe H de la CEI 60947-1 et la suppression de l'Annexe A;
- les exigences concernant les couples de serrage pour les essais améliorées et référencées au Tableau 4 de la CEI 60947-1 et la suppression de l'Annexe C;
- en 8.3.3.3 la référence concernant la force de traction pour la CEI 60947-1 a été modifiée;
- en 8.4.4 la rédaction de l'essai de chute de tension a été améliorée;
- en 8.4.6 la rédaction de l'essai du courant assigné de courte durée admissible a été améliorée;
- ajout de l'Annexe D avec des exigences supplémentaires pour les blocs de jonction de déconnexion d'essai. Le domaine d'application a été modifié en conséquence.

Cette norme doit être lue conjointement avec la CEI 60947-1. Les dispositions des règles générales qui font l'objet de la CEI 60947-1 s'appliquent à la présente norme lorsque celle-ci le précise. Les articles, paragraphes, tableaux, figures et annexes qui sont ainsi applicables sont identifiés par référence à la CEI 60947-1, par exemple 1.2 de la CEI 60947-1, Tableau 4 de la CEI 60947-1 ou Annexe A de la CEI 60947-1.

Le texte de cette norme est issu des documents suivants:

FDIS	Rapport de vote
17B/1654/FDIS	17B/1668/RVD

Le rapport de vote indiqué dans le tableau ci-dessus donne toute information sur le vote ayant abouti à l'approbation de cette norme.

Cette publication a été rédigée selon les Directives ISO/CEI, Partie 2.

Une liste de toutes les parties de la série CEI 60947, présentées sous le titre général *Appareillage à basse tension*, peut être consultée sur le site web de la CEI.

Le comité a décidé que le contenu de cette publication ne sera pas modifié avant la date de maintenance indiquée sur le site web de la CEI sous "<http://webstore.iec.ch>" dans les données relatives à la publication recherchée. A cette date, la publication sera

- reconduite,
- supprimée,
- remplacée par une édition révisée, ou
- amendée.

## APPAREILLAGE À BASSE TENSION –

### Partie 7-1: Matériels accessoires – Blocs de jonction pour conducteurs en cuivre

## 1 Généralités

### 1.1 Domaine d'application

La présente partie de la CEI 60947 spécifie les exigences pour les blocs de jonction avec des organes de serrage du type à vis ou du type sans vis destinés principalement à des usages industriels ou similaires et à être fixés sur un support afin d'assurer une connexion électrique et mécanique entre des conducteurs en cuivre. Elle s'applique aux blocs de jonction destinés à raccorder des conducteurs ronds en cuivre, avec ou sans préparation spéciale, de section comprise entre 0,2 mm<sup>2</sup> et 300 mm<sup>2</sup> (AWG 24/600 kcmil), destinés à être insérés dans des circuits dont la tension assignée ne dépasse pas 1 000 V en courant alternatif jusqu'à 1 000 Hz ou 1 500 V en courant continu.

NOTE AWG est l'abréviation de «American Wire Gage» (Gage (US) = Gauge (UK))

kcmil = 1 000 cmil;

1 cmil = 1 circular mil = surface d'un cercle ayant un diamètre de 1 mil

1 mil = 1/1 000 inch

La présente norme peut servir de guide pour

- les blocs de jonction nécessitant la fixation de pièces spéciales sur les conducteurs, par exemple les connexions rapides ou les connexions enroulées, etc.;
- les blocs de jonction assurant un contact direct avec les conducteurs au moyen de lames ou de pointes pénétrant à travers l'enveloppe isolante, par exemple les connexions par déplacement d'isolant, etc.;
- les types particuliers de blocs de jonction, par exemple comportant des diodes ou des varistances ou des porteurs d'éléments similaires, etc.

Dans la présente norme, le terme «organe de serrage» a été utilisé, s'il y a lieu, à la place du terme «borne». Cela est pris en compte en cas de référence à la CEI 60947-1.

### 1.2 Références normatives

Les documents de référence suivants sont indispensables pour l'application du présent document. Pour les références datées, seule l'édition citée s'applique. Pour les références non datées, la dernière édition du document de référence s'applique (y compris les éventuels amendements).

CEI 60695-11-5:2004, *Essais relatifs aux risques du feu – Partie 11-5: Flammes d'essai – Méthode d'essai au brûleur-aiguille – Appareillage, dispositif d'essai de vérification et lignes directrices*

CEI 60947-1:2007, *Appareillage à basse tension – Partie 1: Règles générales*

ISO 4046-4 :2002, *Papier, carton, pâtes et termes connexes – Vocabulaire – Partie 4. Catégories et produits transformés de papier et de carton*

## 2 Définitions

Pour les besoins du présent document, les définitions données dans la CEI 60947-1, ainsi que les définitions suivantes, s'appliquent.

### 2.1

#### **bloc de jonction**

partie isolante portant un ou plusieurs ensembles de bornes isolés entre eux, et prévue pour être fixée à un support

### 2.2

#### **section assignée**

valeur de la section maximale de tous les types de conducteurs raccordables – rigides (à âme massive et à âme câblée) et souples – déclarée par le constructeur, et à laquelle sont associées certaines exigences thermiques, mécaniques et électriques

### 2.3

#### **capacité assignée de raccordement**

gamme de sections et, le cas échéant, nombre de conducteurs raccordables, pour lesquels le bloc de jonction est conçu

### 2.4

#### **ensemble de bornes**

deux organes de serrage ou plus, fixés à la même partie conductrice

## 3 Classification

La distinction entre les différents types de bloc de jonction est faite selon

- la méthode de fixation du bloc de jonction sur le support;
- le nombre de pôles;
- le type des organes de serrage: organes de serrage du type à vis ou organes de serrage du type sans vis;
- la possibilité de recevoir des conducteurs préparés (voir 2.3.27 de la CEI 60947-1);
- les ensembles de bornes avec des organes de serrage identiques ou différents;
- le nombre d'organes de serrage sur chaque ensemble de bornes;
- les conditions de service.

## 4 Caractéristiques

### 4.1 Enumération des caractéristiques

Les caractéristiques d'un bloc de jonction sont celles qui suivent:

- le type du bloc de jonction (voir 4.2);
- les valeurs assignées et les valeurs limites (voir 4.3).

### 4.2 Type du bloc de jonction

Il est nécessaire d'indiquer

- le type des organes de serrage (par exemple du type à vis, du type sans vis);
- le nombre d'organes de serrage.

### 4.3 Valeurs assignées et valeurs limites

#### 4.3.1 Tensions assignées

Les Paragraphes 4.3.1.2 et 4.3.1.3 de la CEI 60947-1 s'appliquent.

#### 4.3.2 Courant de courte durée admissible

Une valeur efficace spécifiée du courant qu'un bloc de jonction doit pouvoir supporter pendant une courte durée spécifiée dans des conditions prescrites d'utilisation et de comportement (voir 7.2.3 et 8.4.6).

#### 4.3.3 Sections normales

Les valeurs normales des sections de conducteurs ronds en cuivre à utiliser sont indiquées au Tableau 1.

**Tableau 1 – Sections normales des conducteurs ronds en cuivre**

Dimensions du système métrique ISO mm <sup>2</sup>	Comparaison entre les dimensions AWG/kcmil et celles du système métrique	
	Dimensions AWG/kcmil	Equivalence du système métrique mm <sup>2</sup>
0,2	24	0,205
0,34	22	0,324
0,5	20	0,519
0,75	18	0,82
1	–	–
1,5	16	1,3
2,5	14	2,1
4	12	3,3
6	10	5,3
10	8	8,4
16	6	13,3
25	4	21,2
35	2	33,6
50	0	53,5
70	00	67,4
95	000	85
–	0000	107,2
120	250 kcmil	127
150	300 kcmil	152
185	350 kcmil	177
240	500 kcmil	253
300	600 kcmil	304

#### 4.3.4 Section assignée

La section assignée doit être choisie parmi les sections normales figurant au Tableau 1.

#### 4.3.5 Capacité assignée de raccordement

La gamme minimale du Tableau 2 s'applique aux blocs de jonction de section assignée comprise entre 0,2 mm<sup>2</sup> et 35 mm<sup>2</sup> inclus. Les conducteurs peuvent être rigides (à âme massive ou à âme câblée) ou souples. Le constructeur doit indiquer les types et les sections maximales et minimales des conducteurs qui peuvent être raccordés ainsi que, s'il y a lieu, le nombre de conducteurs simultanément raccordables à chaque organe de serrage. Il doit aussi indiquer toute préparation qu'il serait nécessaire de faire subir à l'extrémité du conducteur.

**Tableau 2 – Relation entre la section assignée et la capacité assignée de raccordement des blocs de jonction**

Section assignée		Capacité assignée de raccordement	
mm <sup>2</sup>	AWG	mm <sup>2</sup>	AWG
0,2	24	0,2	24
0,34	22	0,2 – 0,34	24 – 22
0,5	20	0,2 – 0,34 – 0,5	24 – 22 – 20
0,75	18	0,34 – 0,5 – 0,75	22 – 20 – 18
1	–	0,5 – 0,75 – 1	–
1,5	16	0,75 – 1 – 1,5	20 – 18 – 16
2,5	14	1 – 1,5 – 2,5	18 – 16 – 14
4	12	1,5 – 2,5 – 4	16 – 14 – 12
6	10	2,5 – 4 – 6	14 – 12 – 10
10	8	4 – 6 – 10	12 – 10 – 8
16	6	6 – 10 – 16	10 – 8 – 6
25	4	10 – 16 – 25	8 – 6 – 4
35	2	16 – 25 – 35	6 – 4 – 2

## 5 Information sur le matériel

### 5.1 Marquage

Un bloc de jonction doit porter, de manière durable et indélébile, ce qui suit:

- le nom du constructeur ou une marque de fabrique qui permette de l'identifier;
- une référence de type permettant son identification dans le but d'obtenir tout renseignement correspondant auprès du constructeur ou dans son catalogue.

### 5.2 Informations complémentaires

Les informations suivantes doivent être indiquées par le constructeur, s'il y a lieu, par exemple dans la notice du constructeur ou dans son catalogue ou sur l'emballage:

- CEI 60947-7-1, si le constructeur déclare la conformité à la présente norme;
- la section assignée;
- la capacité assignée de raccordement si elle diffère de celle du Tableau 2, ainsi que le nombre de conducteurs simultanément raccordables;
- la tension assignée d'isolement ( $U_i$ );
- la tension assignée de tenue aux chocs ( $U_{imp}$ ), lorsqu'elle est déterminée;
- les conditions de service, si elles diffèrent de celles de l'Article 6 ;
- courant thermique conventionnel à l'air libre ( $I_{th}$ ).

NOTE Le courant thermique conventionnel à l'air libre ( $I_{th}$ ) est la valeur maximale du courant d'essai à utiliser pour les essais d'échauffement des matériels hors enveloppe à l'air libre, voir 4.3.2.1 de la CEI 60947-1.

## 6 Conditions normales de service, de montage et de transport

L'Article 6 de la CEI 60947-1 s'applique.

## 7 Dispositions relatives à la construction et au fonctionnement

### 7.1 Dispositions constructives

#### 7.1.1 Organes de serrage

Le Paragraphe 7.1.8.1 de la CEI 60947-1 s'applique avec les compléments suivants.

Les organes de serrage doivent permettre de raccorder les conducteurs par des moyens assurant qu'un contact mécanique et électrique sûr est correctement maintenu.

NOTE Les organes de serrage du type à vis ne sont pas appropriés pour le raccordement des conducteurs souples avec des extrémités étamées.

Les organes de serrage doivent pouvoir supporter les efforts qui peuvent leur être appliqués par l'intermédiaire des conducteurs raccordés.

La conformité est vérifiée par inspection et par les essais de 8.3.3.1, 8.3.3.2 et 8.3.3.3.

Aucune pression de contact ne doit être transmise par des matériaux isolants autres que la matière céramique ou autres matériaux présentant des caractéristiques au moins équivalentes, à moins que les parties métalliques ne possèdent une élasticité suffisante pour résister à tout rétrécissement possible du matériau isolant.

L'essai correspondant est à l'étude.

#### 7.1.2 Montage

Les blocs de jonction doivent être munis de dispositifs permettant leur fixation de façon sûre à un profilé-support ou à une platine.

Les essais doivent être effectués conformément à 8.3.2.

NOTE Des informations sur le montage sur profilés-supports peuvent être trouvées dans la CEI 60715.

#### 7.1.3 Distances d'isolement et lignes de fuite

Pour les blocs de jonction dont le constructeur a déclaré des valeurs de tension assignée de tenue aux chocs ( $U_{imp}$ ) et de tension assignée d'isolement ( $U_i$ ), les valeurs minimales des distances d'isolement et des lignes de fuite sont données aux Tableaux 13 et 15 de la CEI 60947-1.

Pour les blocs de jonction dont le constructeur n'a pas déclaré de valeur de tension assignée de tenue aux chocs ( $U_{imp}$ ), l'Annexe H de la CEI 60947-1 donne des recommandations pour les valeurs minimales.

Les exigences électriques sont données en 7.2.2.

#### 7.1.4 Identification et marquage des bornes

Le Paragraphe 7.1.8.4 de la CEI 60947-1 s'applique avec le complément suivant.

Un bloc de jonction doit être prévu pour pouvoir porter des marques ou des nombres de repérage pour chaque organe de serrage ou ensemble de bornes selon le circuit dont il fait partie, ou au moins comporter l'espace nécessaire à cet effet.

Pour l'identification des blocs de jonction la combinaison de couleur vert-jaune n'est pas admise.

NOTE On peut, par exemple, prévoir des marques séparées telles que languettes de marquage, étiquettes d'identification, etc.

### **7.1.5 Résistance à la chaleur anormale et au feu**

Les matériaux isolants des blocs de jonction ne doivent pas être affectés par une chaleur anormale et par le feu.

Le Paragraphe 7.1.2.2 de la CEI 60947-1 ne s'applique pas excepté pour la Note.

La conformité est vérifiée par l'essai au brûleur-aiguille selon la CEI 60695-11-5 comme spécifié en 8.5 de la présente norme.

### **7.1.6 Section assignée et capacité assignée de raccordement**

Les blocs de jonction doivent être conçus de telle façon que des conducteurs de la section assignée et de la capacité assignée de raccordement, s'il y a lieu, puissent être acceptés.

La conformité est vérifiée par l'essai décrit en 8.3.3.4.

La vérification de la section assignée peut être faite par l'essai spécial conformément à 8.3.3.5.

## **7.2 Dispositions relatives au fonctionnement**

### **7.2.1 Echauffement**

Les blocs de jonction doivent être essayés conformément à 8.4.5. L'échauffement des bornes ne doit pas dépasser 45 K.

### **7.2.2 Propriétés diélectriques**

Si le constructeur a déclaré une valeur de tension assignée de tenue aux chocs ( $U_{imp}$ ) (voir 4.3.1.3 de la CEI 60947-1), les exigences de 7.2.3 et 7.2.3.1 de la CEI 60947-1 s'appliquent. S'il y a lieu, l'essai de tension de tenue aux chocs doit être effectué conformément à 8.4.3 a).

Pour la vérification de l'isolation solide, les exigences de 7.2.3, 7.2.3.2 et 7.2.3.5 de la CEI 60947-1 s'appliquent. L'essai de tension de tenue à fréquence industrielle doit être effectué conformément à 8.4.3 b).

La vérification des distances d'isolement et des lignes de fuite doit être faite conformément à 8.4.2.

Pour les blocs de jonction dont le constructeur n'a pas déclaré de valeur de tension assignée de tenue aux chocs ( $U_{imp}$ ), l'Annexe H de la CEI 60947-1 donne des recommandations pour les valeurs minimales.

### **7.2.3 Courant de courte durée admissible**

Un bloc de jonction doit pouvoir supporter pendant 1 s le courant de courte durée admissible qui correspond à  $120 \text{ A/mm}^2$  de sa section assignée, conformément à 8.4.6.

#### **7.2.4 Chute de tension**

La chute de tension sur un bloc de jonction occasionnée par le raccordement d'un conducteur, mesurée conformément à 8.4.4, ne doit pas dépasser les valeurs spécifiées en 8.4.4 et, s'il y a lieu, en 8.4.7.

#### **7.2.5 Fonctionnement électrique après vieillissement (pour les blocs de jonction du type sans vis seulement)**

Les blocs de jonction doivent satisfaire à l'essai de vieillissement comportant 192 cycles de température, conformément à 8.4.7.

#### **7.3 Compatibilité électromagnétique (CEM)**

Le Paragraphe 7.3 de la CEI 60947-1 s'applique.

### **8 Essais**

#### **8.1 Nature des essais**

Le Paragraphe 8.1.1 de la CEI 60947-1 s'applique avec le complément suivant.

Aucun essai individuel n'est spécifié. La vérification de la section assignée conformément à 8.3.3.5 est un essai spécial. Tous les autres essais sont des essais de type.

#### **8.2 Généralités**

Sauf indication contraire, les blocs de jonction sont essayés neufs et propres, et installés comme en service normal (voir 6.3 de la CEI 60947-1) à une température ambiante de  $(20 \pm 5)$  °C.

NOTE «Service normal» signifie que cinq blocs de jonction sont montés sur leur support – le côté restant ouvert étant fermé par une cloison terminale – et fixés par des butées de blocage, s'il y a lieu.

Les essais sont effectués dans l'ordre de présentation des paragraphes dans lesquels ils sont décrits.

Chaque essai est effectué sur des spécimens distincts et neufs.

Les essais de 8.3.3.2 et 8.3.3.3 sont effectués sur les mêmes spécimens.

La surface des conducteurs doit être exempte de contamination et de corrosion dégradant les performances.

Des précautions doivent être prises lors du dénudage des conducteurs afin d'éviter la coupure, l'ébréchure, le grattage ou autre dommage aux conducteurs.

Dans les cas où le constructeur a précisé qu'une préparation spéciale de l'extrémité du conducteur était nécessaire, le compte-rendu d'essai doit indiquer la méthode de préparation utilisée.

Les essais sont effectués avec le type de conducteur (rigide ou souple) indiqué par le constructeur.

Si l'un des blocs de jonction ne satisfait pas à l'un des essais, cet essai doit être répété sur un deuxième lot de blocs de jonction qui doit alors satisfaire entièrement à l'essai répété. Si cet essai fait partie d'une séquence d'essais, la totalité de la séquence d'essais doit être répétée.



### 8.3 Vérification des caractéristiques mécaniques

#### 8.3.1 Généralités

La vérification des caractéristiques mécaniques comprend les essais suivants:

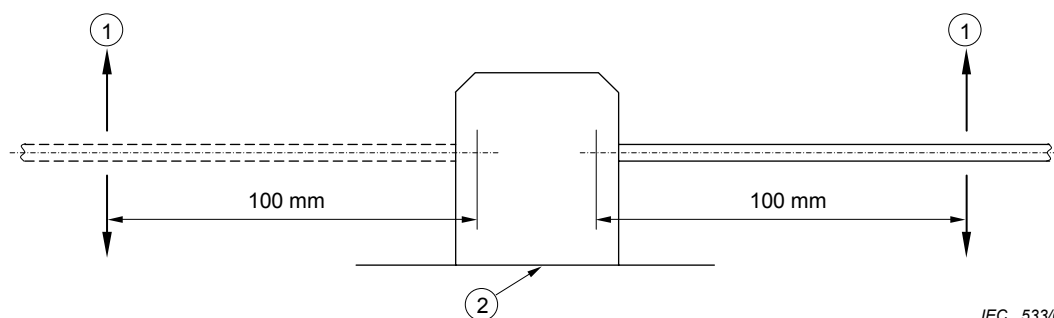
- la tenue du bloc de jonction sur son support (voir 8.3.2);
- la tenue mécanique des organes de serrage (voir 8.3.3.1);
- la tenue des conducteurs sur les organes de serrage (voir 8.3.3.2 et 8.3.3.3);
- la section assignée et capacité assignée de raccordement (voir 8.3.3.4 et 8.3.3.5).

#### 8.3.2 Tenue du bloc de jonction sur son support

L'essai doit être effectué sur deux organes de serrage, au bloc de jonction situé au milieu de cinq blocs de jonction montés comme en service normal sur le support approprié conformément aux instructions du constructeur.

Une broche d'acier de 150 mm de long et de diamètre spécifié au Tableau 3 est fixée successivement à chaque organe de serrage. Le couple de serrage doit être conforme au Tableau 4 de la CEI 60947-1 ou en alternative conforme à la valeur de couple la plus élevée établie par le constructeur. Un effort correspondant aux valeurs indiquées au Tableau 3 est appliqué régulièrement et sans à-coups à la broche à une distance de 100 mm du centre de l'organe de serrage, conformément à la Figure 1.

Au cours de l'essai, aucun bloc de jonction ne doit se libérer de son profilé-support ou de son support, ni subir d'autre dommage.



IEC 533/09

#### Légende

- 1 Effort
- 2 Profilé-support or support

**Figure 1 – Disposition pour l'essai de 8.3.2**

**Tableau 3 – Paramètres de l'essai de tenue**

Section assignée du bloc de jonction		Effort N	Diamètre de la broche mm
mm <sup>2</sup>	AWG/kcmil		
0,2	24	1	1,0
0,34	22		
0,5	20		
0,75	18		
1,0	–		
1,5	16		
2,5	14		
4	12		
6	10	5	2,8
10	8		
16	6		
25	4	10	5,7
35	2		
50	0		
70	00		
95	000	15	12,8
–	0000		
120	250 kcmil		
150	300 kcmil		
185	350 kcmil		
240	500 kcmil	20	20,5
300	600 kcmil		

### 8.3.3 Propriétés mécaniques des organes de serrage

#### 8.3.3.1 Essai de tenue mécanique des organes de serrage

Les Paragraphes 8.2.4.1 et 8.2.4.2 de la CEI 60947-1 s'appliquent avec le complément suivant.

L'essai doit être effectué sur deux organes de serrage, au bloc de jonction situé au milieu de cinq blocs de jonction montés comme en service normal sur le support approprié conformément aux instructions du constructeur.

Après vérification de la chute de tension conformément à 8.4.4 avec un conducteur rigide raccordé de la section assignée indiquée par le constructeur et ensuite, s'il y a lieu, avec un conducteur souple raccordé de la section minimale indiquée par le constructeur, des conducteurs rigides de la section assignée doivent être raccordés et déconnectés cinq fois chacun.

A la fin de cet essai, les blocs de jonction doivent satisfaire à l'essai de chute de tension conformément à 8.4.4 avec un conducteur rigide raccordé de la section assignée et ensuite, s'il y a lieu, avec un conducteur souple raccordé de la section minimale.

### **8.3.3.2 Essai de détérioration et de desserrage accidentel des conducteurs d'un bloc de jonction (essai de flexion)**

Les Paragraphes 8.2.4.1 et 8.2.4.3 de la CEI 60947-1 s'appliquent avec la modification suivante.

Chaque essai doit être effectué sur deux organes de serrage d'un bloc de jonction.

Le couple de serrage doit être conforme au Tableau 4 de la CEI 60947-1 ou en variante, conforme à la valeur de couple la plus élevée établie par le constructeur.

Les essais doivent être effectués avec les types (rigide et/ou souple) et le nombre de conducteurs indiqués par le constructeur comme présentés ci-après:

- avec les différents types de conducteur de la plus petite section spécifiée (seulement un conducteur raccordé);
- avec les différents types de conducteur de la section assignée spécifiée (seulement un conducteur raccordé);

et, s'il y a lieu,

- avec le ou les types de conducteur de la plus grande section raccordable, si elle est plus grande que la section assignée (seulement un conducteur raccordé);
- avec les différents types et le nombre maximal de conducteurs de la plus petite section simultanément raccordables;
- avec les différents types et le nombre maximal de conducteurs de la plus grande section simultanément raccordables;
- avec les différents types et le nombre maximal de conducteurs de la plus petite et de la plus grande section simultanément raccordables.

### **8.3.3.3 Essai de traction**

Le Paragraphe 8.2.4.4 de la CEI 60947-1 s'applique.

### **8.3.3.4 Vérification de la section assignée et de la capacité assignée de raccordement**

L'essai doit être effectué sur chaque organe de serrage d'un bloc de jonction.

Pour les conducteurs de section assignée et pour les blocs de jonction d'une capacité assignée de raccordement jusqu'à 35 mm<sup>2</sup>, un conducteur des deux plus petites sections suivantes doit être inséré sans gêne dans l'organe de serrage ouvert et être raccordé.

Le diamètre théorique du conducteur le plus gros est indiqué au Tableau 7a de la CEI 60947-1.

### **8.3.3.5 Vérification de la section assignée (essai spécial avec gabarits)**

Le Paragraphe 8.2.4.5 de la CEI 60947-1 s'applique avec le complément suivant.

L'essai doit être effectué sur chaque organe de serrage d'un bloc de jonction.

## **8.4 Vérification des caractéristiques électriques**

### **8.4.1 Généralités**

La vérification des caractéristiques électriques comprend

- la vérification des distances d'isolement et des lignes de fuite (voir 8.4.2);
- l'essai diélectrique (voir 8.4.3);
- la vérification de la chute de tension (voir 8.4.4);
- l'essai d'échauffement (voir 8.4.5);
- l'essai de tenue au courant de courte durée admissible (voir 8.4.6);
- l'essai de vieillissement pour les blocs de jonction du type sans vis seulement (voir 8.4.7).

## **8.4.2 Vérification des distances d'isolement et des lignes de fuite**

### **8.4.2.1 Généralités**

La vérification est faite entre deux blocs de jonction adjacents et entre un bloc de jonction et le support métallique auquel les blocs de jonction sont fixés.

La mesure des distances d'isolement et des lignes de fuite doit être faite dans les conditions suivantes:

- a) les blocs de jonction doivent être raccordés avec le ou les types de conducteur les plus défavorables et avec la ou les sections du conducteur parmi celles déclarées par le constructeur;
- b) les extrémités des conducteurs doivent être dénudées à la longueur spécifiée par le constructeur;
- c) si le constructeur a prévu la possibilité d'utiliser différents supports métalliques, le support le plus défavorable doit être utilisé.

La méthode de mesure des distances d'isolement et des lignes de fuite est donnée à l'Annexe G de la CEI 60947-1.

### **8.4.2.2 Distances d'isolement**

Les valeurs mesurées des distances d'isolement doivent être supérieures aux valeurs données au Tableau 13 de la CEI 60947-1 pour le cas B – champ homogène (voir 7.2.3.3 de la CEI 60947-1) dépendant de la valeur de la tension assignée de tenue aux chocs ( $U_{imp}$ ) et du degré de pollution indiqués par le constructeur.

L'essai de tension de tenue aux chocs doit être effectué conformément à 8.4.3 a) à moins que les distances d'isolement mesurées soient égales ou supérieures aux valeurs données au Tableau 13 de la CEI 60947-1 pour le cas A – champ non homogène (voir 8.3.3.4.1, point 2), de la CEI 60947-1).

### **8.4.2.3 Lignes de fuite**

Les lignes de fuite mesurées ne doivent pas être inférieures aux valeurs données au Tableau 15 de la CEI 60947-1 en rapport avec 7.2.3.4 a) et b) de la CEI 60947-1 dépendant de la tension assignée d'isolement ( $U_i$ ), du groupe de matériau et du degré de pollution spécifiés par le constructeur.

## **8.4.3 Essais diélectriques**

- a) Si le constructeur a déclaré une valeur de tension assignée de tenue aux chocs  $U_{imp}$ , l'essai de tension de tenue aux chocs doit être effectué conformément à 8.3.3.4.1, point 2), de la CEI 60947-1, à l'exception du point 2) c) qui n'est pas applicable.
- b) La vérification de la tenue à la fréquence industrielle de l'isolation solide doit être effectuée conformément à 8.3.3.4.1, point 3), de la CEI 60947-1. La valeur de la tension d'essai doit être celle du Tableau 12A de la CEI 60947-1 (voir 8.3.3.4.1, point 3) b) i), de la CEI 60947-1).

Chaque essai doit être effectué sur cinq blocs de jonction adjacents raccordés et installés sur un support métallique selon les conditions a), b) et c) indiquées en 8.4.2.1.

La tension d'essai doit être appliquée d'abord entre les blocs de jonction adjacents, puis entre tous les blocs de jonction reliés ensemble et le support sur lequel les blocs de jonction sont fixés.

#### 8.4.4 Vérification de la chute de tension

La chute de tension doit être vérifiée

- a) avant et après l'essai de tenue mécanique des organes de serrage (voir 8.3.3.1);
- b) avant et après l'essai d'échauffement (voir 8.4.5);
- c) avant et après l'essai de tenue au courant de courte durée admissible (voir 8.4.6);
- d) avant, pendant et après l'essai de vieillissement (voir 8.4.7).

La vérification est faite comme spécifié en 8.3.3.1, 8.4.5, 8.4.6 et 8.4.7.

La chute de tension est mesurée sur chaque bloc de jonction comme indiqué à la Figure 2. La mesure est effectuée en courant continu avec une valeur du courant égale à 0,1 fois la valeur donnée au Tableau 4 ou au Tableau 5.

Avant les essais selon a), b), c) et d) ci-dessus, la chute de tension ne doit pas excéder

- 3,2 mV, ou
- 1,6 mV sur chaque organe de serrage particulier si mesuré séparément, seulement si la valeur mesurée pour l'ensemble dans la Figure 2 dépasse 3,2 mV.

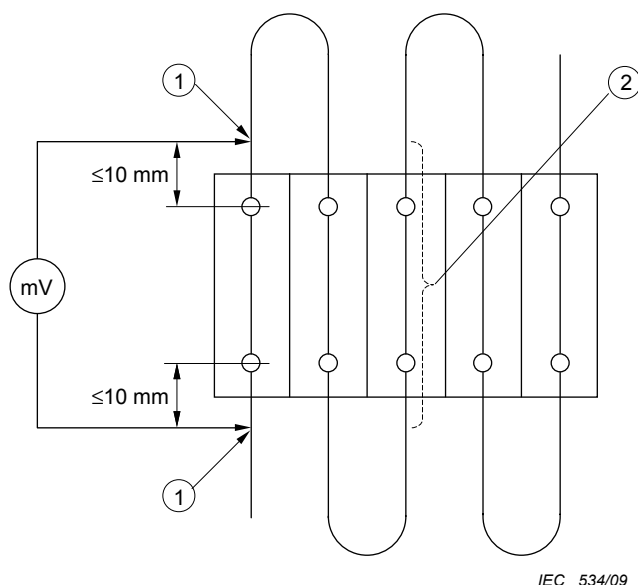
Si la valeur mesurée excède 3,2 mV, la chute de tension est déterminée séparément sur chaque organe de serrage individuel, laquelle ne doit pas excéder 1,6 mV.

Après les essais selon a), b) et c), la chute de tension ne doit pas excéder 150 % des valeurs mesurées avant l'essai.

Pendant et après l'essai selon d), la chute de tension mesurée ne doit pas excéder les valeurs spécifiées en 8.4.7.

**Tableau 4 – Valeurs des courants d'essai pour les essais d'échauffement, de vieillissement et de chute de tension pour les conducteurs de sections exprimées selon le système métrique**

<b>Section assignée mm<sup>2</sup></b>	0,2	0,34	0,5	0,75	1	1,5	2,5	4	6	10	16
<b>Courant d'essai A</b>	4	5	6	9	13,5	17,5	24	32	41	57	76
<b>Section assignée mm<sup>2</sup></b>	25	35	50	70	95	120	150	185	240	300	
<b>Courant d'essai A</b>	101	125	150	192	232	269	309	353	415	520	



**Légende**

- 1 Point de mesure de la chute de tension
- 2 Mesure de la température

**Figure 2 – Disposition pour les essais selon 8.4.5 et 8.4.7, et pour la vérification de la chute de tension**

**Tableau 5 – Valeurs des courants d'essai pour les essais d'échauffement, de vieillissement et de chute de tension pour les conducteurs de sections de câble exprimées en AWG ou kcmil**

<b>Section assignée AWG</b>	24	22	20	18	16	14	12	10	8	6	4
<b>Courant d'essai A</b>	4	6	8	10	16	22	29	38	50	67	90
<b>Section assignée AWG ou kcmil</b>	2	1	0	00	000	0000	250 kcmil	300 kcmil	350 kcmil	500 kcmil	600 kcmil
<b>Courant d'essai A</b>	121	139	162	185	217	242	271	309	353	415	520

**8.4.5 Essai d'échauffement**

L'essai est effectué simultanément sur cinq blocs de jonction adjacents reliés en série par des conducteurs isolés au PVC de la section assignée, comme illustré à la Figure 2. Le couple de serrage doit être conforme au Tableau 4 de la CEI 60947-1 ou en variante conforme à la valeur de couple la plus élevée établie par le constructeur. La longueur minimale de chacun des six conducteurs doit être de 1 m pour les sections assignées inférieures ou égales à 10 mm<sup>2</sup> (AWG 8), et de 2 m pour les sections assignées plus grandes.

Le circuit d'essai doit être disposé horizontalement, comme l'indique la Figure 2, sur une surface en bois (par exemple dessus de table ou plancher), les blocs de jonction étant solidement fixés à cette surface et les conducteurs posés librement sur celle-ci.

Si la section assignée est inférieure à 10 mm<sup>2</sup> (AWG 8), les conducteurs doivent être à âme massive. Pour les sections assignées égales ou supérieures à 10 mm<sup>2</sup> (AWG 8), les conducteurs doivent être rigides à âme câblée.

Pendant l'essai, les vis des organes de serrage ne doivent pas être resserrées.

Après vérification de la chute de tension conformément à 8.4.4, l'essai est effectué avec un courant alternatif monophasé comme indiqué au Tableau 4 ou au Tableau 5 selon la section assignée, et poursuivi jusqu'à l'obtention d'une température stabilisée. Une variation inférieure à 1 K entre deux mesures sur trois mesures consécutives faites à 5 min d'intervalle est considérée comme une température stabilisée.

Pour les blocs de jonction à plusieurs étages, l'essai est effectué soit avec un courant alternatif monophasé comme indiqué au Tableau 4 ou au Tableau 5, ou avec le courant thermique conventionnel à l'air libre ( $I_{th}$ ) spécifié par le constructeur.

L'échauffement de n'importe quelle partie du bloc de jonction située au centre ne doit pas dépasser la limite donnée en 7.2.1 (voir Figure 2).

A la fin de l'essai, après refroidissement à la température de l'air ambiant et sans apporter aucun changement dans la disposition, les blocs de jonction doivent satisfaire à l'essai de chute de tension conformément à 8.4.4.

#### **8.4.6 Essai de tenue au courant de courte durée admissible**

Cet essai a pour objet de vérifier la tenue au choc thermique.

L'essai est effectué sur un bloc de jonction installé conformément aux instructions du constructeur. Le couple de serrage doit être conforme au Tableau 4 de la CEI 60947-1 ou en variante conforme à la valeur de couple la plus élevée établie par le constructeur.

Si la section assignée est inférieure à 10 mm<sup>2</sup> (AWG 8), les conducteurs doivent être à âme massive. Pour les sections assignées égales ou supérieures à 10 mm<sup>2</sup> (AWG 8), les conducteurs doivent être rigides à âme câblée.

Après vérification de la chute de tension conformément à 8.4.4, la valeur et la durée d'application du courant d'essai doivent être conformes à 7.2.3.

A la fin de l'essai, il doit y avoir continuité sur l'assemblage de l'échantillon en essai et les blocs de jonction ne doivent montrer ni craquelure, cassure ou autre dommage critique. Après refroidissement à la température ambiante et sans apporter aucun changement dans la disposition, le bloc de jonction doit satisfaire à l'essai de chute de tension conformément à 8.4.4.

#### **8.4.7 Essai de vieillissement (pour les blocs de jonction du type sans vis seulement)**

L'essai est effectué simultanément sur cinq blocs de jonction adjacents reliés en série par des conducteurs de la section assignée, comme indiqué à la Figure 2.

Si la section assignée est inférieure à 10 mm<sup>2</sup> (AWG 8), les conducteurs doivent être à âme massive. Pour les sections assignées égales ou supérieures à 10 mm<sup>2</sup> (AWG 8), les conducteurs doivent être rigides à âme câblée.

Pour les blocs de jonction prévus pour être utilisés dans des «conditions normales de service» (maximum 40 °C conformément à 6.1.1 de la CEI 60947-1), des conducteurs isolés au PVC doivent être utilisés.

Pour les blocs de jonction dont le constructeur a spécifié des «conditions maximales de service supérieures à 40 °C» (voir 6.1.1, note 1, de la CEI 60947-1), des conducteurs résistant à la chaleur isolés ou non isolés doivent être utilisés.

La longueur minimale des conducteurs de pontage doit être de 300 mm.

Les blocs de jonction sont placés dans une étuve qui est initialement maintenue à une température de  $(20 \pm 2)$  °C puis soumis à l'essai de vérification de la chute de tension.

L'ensemble de la disposition d'essai, y compris les conducteurs, ne doit pas être déplacé avant que l'essai de chute de tension n'ait été terminé.

Les blocs de jonction sont soumis à 192 cycles de température comme indiqué ci-après.

La température à l'intérieur de l'étuve est portée à 40 °C conformément à 8.3.3.3.1 de la CEI 60947-1 ou à la valeur de température déclarée par le constructeur pour les «conditions maximales de service».

La température est maintenue avec une tolérance de  $\pm 5$  °C pendant approximativement 10 min.

Pendant cette période d'essai, le courant selon 8.4.5 est appliqué.

Les blocs de jonction sont ensuite refroidis à une température d'environ 30 °C, le refroidissement forcé étant autorisé; ils sont maintenus à cette température pendant 10 min environ et, si nécessaire pour la mesure de chute de tension, il est autorisé de les refroidir à une température de  $(20 \pm 5)$  °C.

NOTE A titre de guide, une valeur de 1,5 °C/min pour la vitesse de montée en température et de refroidissement de la température de l'étuve peut être considérée comme une base.

La chute de tension sur chaque bloc de jonction est aussi déterminée conformément à 8.4.4 après chacun des 24 cycles de température et après achèvement des 192 cycles de température, chaque fois à une température de  $(20 \pm 5)$  °C.

En aucun cas la chute de tension ne doit dépasser la plus petite des deux valeurs suivantes: 4,8 mV ou 1,5 fois la valeur mesurée après le 24<sup>e</sup> cycle.

Après cet essai, un examen visuel ne doit montrer aucune modification compromettant une utilisation ultérieure, telle que craquelures, déformations ou modifications similaires.

De plus, l'essai de traction conformément à 8.3.3.3 doit être effectué.

## **8.5 Vérification des caractéristiques thermiques**

Les caractéristiques thermiques sont vérifiées par l'essai au brûleur-aiguille.

L'essai est effectué conformément à la CEI 60695-11-5 successivement sur trois blocs de jonction dans la zone d'un organe de serrage.

La chambre d'essai doit être exempte de courant d'air significatif et avoir des dimensions suffisantes pour permettre une alimentation adéquate en air.

Avant l'essai, les blocs de jonction sont stockés pendant 24 h dans une atmosphère ayant une température comprise entre 15 °C et 35 °C, et une humidité relative comprise entre 45 % et 75 %.

Après ce conditionnement préalable, le bloc de jonction est monté sur son support approprié et fixé avec des moyens adaptés de manière qu'une paroi latérale isolante soit parallèle à la couche située sous le bloc de jonction (voir Figure 3).

Les conducteurs ne sont pas raccordés.



La couche située au-dessous, qui consiste en une planche de pin d'environ 10 mm d'épaisseur recouverte par une simple couche de papier mousseline (grammage compris entre 12 g/m<sup>2</sup> et 30 g/m<sup>2</sup> selon 4.215 de l'ISO 4046-4 :2002, est installée à une distance de  $(200 \pm 5)$  mm sous le bloc de jonction.

La flamme d'essai, ajustée conformément à la Figure 1a) de la CEI 60695-11-5, est positionnée suivant un angle de 45° par rapport à la paroi latérale isolante.

La pointe de la flamme doit être en contact avec la paroi isolante dans la zone de l'organe de serrage (voir Figure 4).

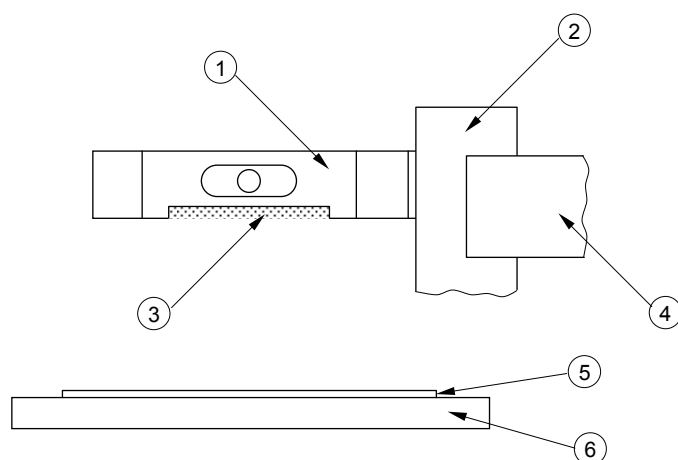
La flamme est appliquée pendant 10 s. Pour des parois isolantes inférieures à 1 mm et/ou une zone inférieure à 100 mm<sup>2</sup>, la flamme est appliquée pendant 5 s.

Après le retrait de la flamme, en cas d'inflammation, la durée de combustion est mesurée.

La durée de combustion correspond à l'intervalle de temps depuis l'instant où la flamme est retirée jusqu'au moment de l'extinction des flammes ou de l'incandescence du bloc de jonction.

Les blocs de jonction sont considérés comme satisfaisant à l'essai si la durée de combustion, en cas d'inflammation, est inférieure à 30 s.

De plus, le papier mousseline sur la planche de pin ne doit pas s'enflammer si des particules en feu ou incandescentes tombent du bloc de jonction.

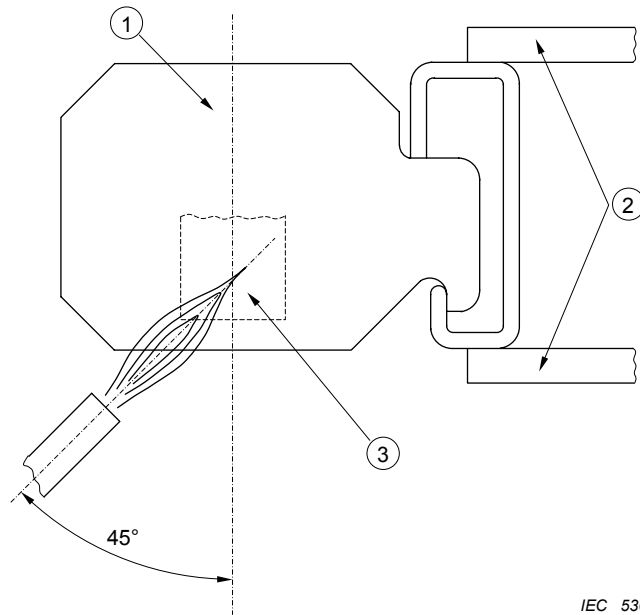


IEC 535/09

#### Légende

- 1 Bloc de jonction
- 2 Support du bloc de jonction
- 3 Paroi latérale isolante
- 4 Moyens de fixation
- 5 Papier mousseline
- 6 Planche de pin

**Figure 3 – Disposition pour l'essai selon 8.5**



IEC 536/09

**Légende**

- 1 Bloc de jonction
- 2 Moyens de fixation
- 3 Partie dans la zone de l'organe de serrage

**Figure 4 – Point de contact de la flamme d'essai  
(vue depuis la couche située sous le bloc de jonction)**

**8.6 Vérification des caractéristiques de CEM**

Le Paragraphe 8.4 de la CEI 60947-1 s'applique avec le complément suivant.

**8.6.1 Immunité**

Les blocs de jonction couverts par le domaine d'application de la présente norme ne sont pas sensibles aux perturbations électromagnétiques; en conséquence aucun essai d'immunité n'est nécessaire.

**8.6.2 Emission**

Les blocs de jonction couverts par le domaine d'application de la présente norme ne génèrent pas de perturbations électromagnétiques; en conséquence aucun essai d'émission n'est nécessaire.

**Annexe A**  
**Vide**

## Annexe B (informative)

### Points faisant l'objet d'un accord entre le constructeur et l'utilisateur

NOTE Dans le cadre de cette annexe, le mot «accord» s'entend dans un sens très large; le mot «utilisateur» comprend les stations d'essai.

L'Annexe J de la CEI 60947-1 s'applique en ce qui concerne les articles et les paragraphes auxquels se réfère la présente norme, avec les compléments suivants:

Numéro d'article ou de paragraphe de la présente norme	Point
8.2	Conducteurs d'essai: – préparation spéciale de leur extrémité, si nécessaire – type (souple, rigide)
8.3.3.1	Plus petite section raccordable pour la vérification de la chute de tension
8.3.2	Couple de serrage pour la fixation du conducteur d'essai, s'il est différent des valeurs figurant au Tableau 4 de la CEI 60947-1
8.3.3	
8.4.5	
8.4.6	
8.3.3.5	Essai spécial
8.4.7	Température de l'essai de vieillissement, si elle est différente de +40 °C
NOTE Tous les points ci-dessus font, le cas échéant, l'objet d'une déclaration du constructeur.	

**Annexe C**  
**Vide**

## **Annexe D** (normative)

### **Exigences supplémentaires pour les blocs de jonction de déconnexion d'essai**

#### **D.1 Domaine d'application**

La présente annexe spécifie les exigences pour les blocs de jonction de déconnexion d'essai prévus pour recevoir des conducteurs de section comprise entre 0,2 mm<sup>2</sup> et 35 mm<sup>2</sup>. Ces blocs de jonction sont prévus a fin d'être utilisés dans les circuits de commande et de puissance pour une déconnexion temporaire (aux fins d'essais) au potentiel zéro et sans charge.

#### **D.2 Termes et définitions**

L'Article 2 s'applique avec les ajouts suivants:

##### **D.2.1**

##### **bloc de jonction de déconnexion d'essai**

bloc de jonction disposant d'un ou de plusieurs organes de serrage et d'une ou de plusieurs unité(s) de déconnexion dans le circuit en place pour l'ouverture et la fermeture temporaires des circuits de commande et de puissance au potentiel zéro pour des besoins d'essais et de mesures

##### **D.2.2**

##### **déconnexion longitudinale**

déconnexion d'un circuit dans un bloc de jonction ou à partir d'un bloc de jonction vers une barre dans un ensemble de bornes (voir Figure D.1a)

##### **D.2.3**

##### **déconnexion perpendiculaire**

déconnexion entre plusieurs circuits des blocs de jonction pour essai de déconnexion adjacents ou des blocs de jonction (voir Figure D.1b)

#### **D.3 Classification**

L'Article 3 s'applique avec les ajouts suivants:

- déconnexion longitudinale
- déconnexion perpendiculaire

#### **D.4 Caractéristiques**

L'Article 4 s'applique avec les ajouts suivants:

##### **D.4.1 Type du bloc de jonction**

- type de déconnexion/fonction de déconnexion (par exemple séparation manuelle à vis ou séparation manuelle sans vis, couteau de séparation, etc.)

#### **D.5 Information sur le matériel**

L'Article 5 s'applique avec les ajouts suivants:

h) durée de vie en nombre de cycles.

## **D.6 Conditions normales de service, de montage et de transport**

L'Article 6 s'applique.

## **D.7 Dispositions relatives à la construction et au fonctionnement**

L'Article 7 s'applique avec les ajouts suivants:

### **D.7.1 Dispositions relatives à la construction**

#### **D.7.1.3 Distances d'isolement et lignes de fuite**

Il n'est pas exigé de mesurer les distances d'isolement et les lignes de fuite sur les contacts de déconnexion ouverts (vide).

Toutefois, la tension assignée de tenue aux chocs ( $U_{imp}$ ) établie par le constructeur selon le Tableau 13 de la CEI 60947-1, sans user du facteur de correction d'altitude, doit être vérifiée au travers des contacts de déconnexion ouverts (vide).

#### **D.7.1.7 Unité de déconnexion**

Pour les déconnexions perpendiculaire et longitudinale, les blocs de jonction de déconnexion d'essai peuvent être équipés d'unités de déconnexion pour le moment du type suivant:

- fiche;
- couteau;
- glissant (avec ou sans barre).

La position de l'unité de déconnexion doit être reconnaissable en usage normal et ne doit pas être modifiable de façon non intentionnelle.

### **D.7.2 Dispositions relatives au fonctionnement**

#### **D.7.2.1 Echauffement**

Les blocs de jonction de déconnexion d'essai doivent être essayés selon D.8.4.5. L'échauffement d'une partie quelconque des blocs de jonction de déconnexion d'essai ne doit pas excéder 45 K.

#### **D.7.2.2 Propriétés diélectriques**

Le Paragraphe 7.2.2 s'applique excepté pour les contacts de déconnexion ouverts (vide) pour lesquels la spécification suivante s'applique.

La valeur de la tension assignée de tenue aux chocs ( $U_{imp}$ ) établie par le constructeur doit être vérifiée par l'essai de tension de tenue aux chocs selon la CEI 60947-1, Tableau 13 sans utilisation du facteur de correction d'altitude.

Si le constructeur n'a pas déclaré de valeur de tension assignée de tenue aux chocs ( $U_{imp}$ ), l'Annexe H de la CEI 60947-1 donne des recommandations pour les valeurs minimales.

#### **D.7.2.3 Courant de courte durée admissible**

Le texte de 7.2.3 est complété par ce qui suit:

Si le constructeur a déclaré une valeur de courant thermique conventionnel à l'air libre ( $I_{th}$ ) pour le bloc de jonction de déconnexion d'essai, le bloc de jonction doit être capable de supporter pendant 1 s le courant de courte durée admissible selon une densité de courant de 120 A/mm<sup>2</sup> et pour la section de conducteur correspondante selon D.8.4.6.

#### **D.7.2.4 Chute de tension**

La chute de tension sur un bloc de jonction de déconnexion d'essai, mesurée selon D.8.4.4, ne doit pas dépasser les valeurs indiquées en D.8.4.4 et, si applicable, en D.8.4.7.

#### **D.7.2.5 Fonctionnement électrique après vieillissement (pour les blocs de jonction de déconnexion d'essai avec des organes de serrage du type sans vis seulement)**

Le Paragraphe 7.2.5 s'applique avec l'addition suivante.

Si le constructeur a déclaré une valeur de courant pour le bloc de jonction de déconnexion d'essai, alors D.8.4.7 s'applique.

#### **D.7.2.6 Durée de vie**

Les blocs de jonction de déconnexion d'essai doivent supporter suffisamment le conditionnement mécanique et thermique pouvant apparaître en usage normal.

Pour l'actionnement mécanique des unités de déconnexion, les informations données par le constructeur doivent être prises en compte. Les valeurs préférentielles concernant le nombre de cycles de manœuvre sont indiquées au Tableau D.1.

La conformité est vérifiée selon D.8.5.1.

**Tableau D.1 – Cycles de manoeuvre**

Nombre préférentiel
10
50
100
500
1 000

## **D.8 Essais**

L'Article 8 s'applique avec les modifications suivantes:

#### **D.8.4.4 Vérification de la chute de tension**

Le texte de 8.4.4 est remplacé par ce qui suit:

La chute de tension doit être vérifiée:

- a) avant et après l'essai de tenue mécanique des organes de serrage (voir 8.3.3.1);
- b) avant et après l'essai d'échauffement (voir 8.4.5);
- c) avant et après l'essai de tenue au courant de courte durée admissible (voir 8.4.6 ou D.8.4.6 si le constructeur a déclaré une valeur de courant);
- d) avant, pendant et après l'essai de vieillissement (voir 8.4.7 ou D.8.4.7 si le constructeur a déclaré une valeur de courant);



e) avant et après l'essai de durée de vie (voir D.8.5.1).

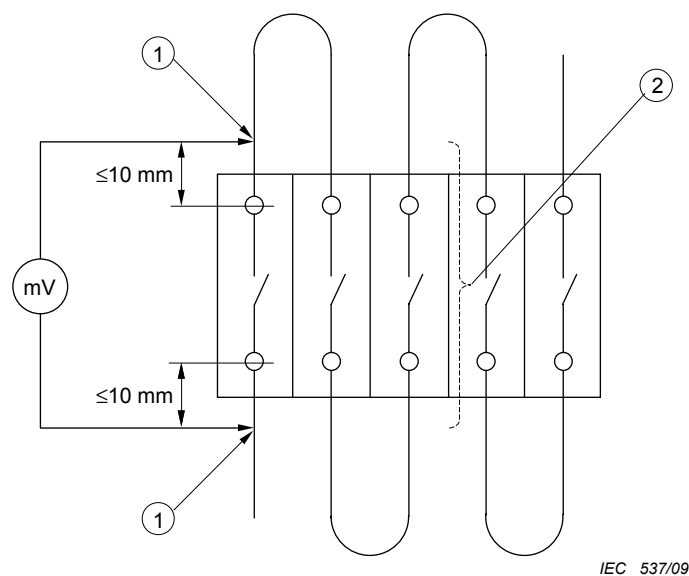
La vérification est faite comme spécifié en 8.3.3.2, D.8.4.5, 8.4.6 ou D.8.4.6 et 8.4.7 ou D.8.4.7.

La chute de tension est mesurée sur chaque bloc de jonction comme indiqué à la Figure D.1. La mesure est réalisée en courant continu. La valeur du courant de mesure est égale à 0,1 fois la valeur du courant d'essai indiqué dans le Tableau D.2 ou le Tableau D.3.

Avant les essais selon a), b), c), d) et e), la chute de tension sur le bloc de jonction de déconnexion d'essai ne doit pas dépasser 1,6 mV fois le nombre total d'organes de serrage conducteur et de points de contacts d'unité de déconnexion. Si la valeur mesurée dépasse la présente valeur calculée, la chute de tension est mesurée sur chaque organe de serrage conducteur particulier et chaque point de contact d'unité de déconnexion. Elle ne doit pas dépasser 1,6 mV sur chaque organe de serrage conducteur ou chaque point de contact d'unité de déconnexion.

Après les essais selon a), b) et c) et e), la chute de tension ne doit pas excéder 150 % des valeurs mesurées avant l'essai.

Pendant et après les essais selon d), la chute de tension mesurée ne doit pas excéder les valeurs spécifiées en D.8.4.7.



**Figure D.1a – Vérification de la chute de tension pour une déconnexion longitudinale dans le bloc de jonction**

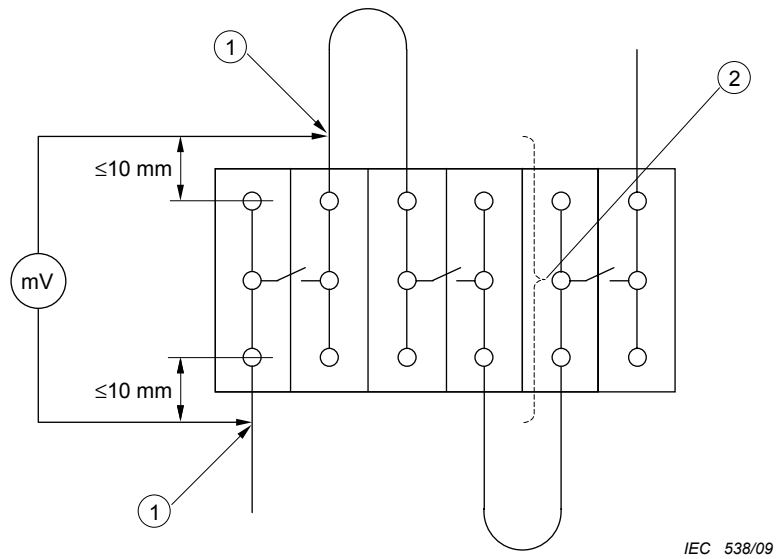


Figure D.1b – Vérification de la chute de tension pour une déconnexion perpendiculaire

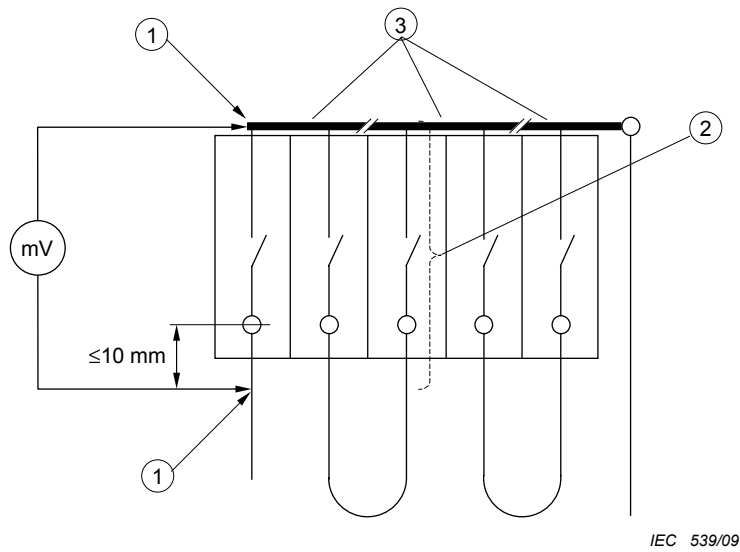


Figure D.1c – Vérification de la chute de tension pour une déconnexion longitudinale directe sur la barre

**Légende**

- 1 Point de mesure de la chute de tension
- 2 Mesure de la température
- 3 Sections de barres

Figure D.1 – Exigences d'essai selon D.8.4.4 pour la vérification de la chute de tension

**Tableau D.2 – Valeurs des courants d'essai pour les essais d'échauffement, de vieillissement et de chute de tension pour les conducteurs de sections exprimées selon le système métrique**

<b>Section assignée mm<sup>2</sup></b>	0,2	0,34	0,5	0,75	1	1,5	2,5	4	6	10	16	25	35
<b>Courant d'essai A</b>	4	5	6	9	13,5	17,5	24	32	41	57	76	101	125

**Tableau D.3 – Valeurs des courants d'essai pour les essais d'échauffement, de vieillissement et de chute de tension pour les conducteurs de sections de câble exprimées en AWG ou kcmil**

<b>Section assignée AWG</b>	24	22	20	18	16	14	12	10	8	6	4	2
<b>Courant d'essai A</b>	4	6	8	10	16	22	29	38	50	67	90	121

#### **D.8.4.5 Essai d'échauffement**

Le Paragraphe 8.4.5 s'applique avec la modification suivante du premier alinéa.

L'essai est effectué simultanément sur les blocs de jonction de déconnexion d'essai adjacents reliés en série par des conducteurs isolés PVC de la section assignée, comme indiqué à la Figure D.1. Les conducteurs sur les blocs de jonction comportant des organes de serrage à vis et des unités de déconnexion à vis doivent être serrés avec un couple selon le Tableau 4 de la CEI 60947-1 ou en variante selon la valeur de couple la plus élevée établie par le constructeur. Si le constructeur a déclaré une valeur de courant thermique conventionnel à l'air libre ( $I_{th}$ ) pour le bloc de jonction de déconnexion d'essai, l'essai est réalisé en courant alternatif monophasé selon cette valeur de courant. Autrement, l'essai est réalisé en courant alternatif monophasé avec la valeur indiquée au Tableau D.2 ou au Tableau D.3.

#### **D.8.4.6 Essai de tenue au courant de courte durée admissible**

Cet essai a pour objet de vérifier la tenue au choc thermique.

L'essai est effectué sur un bloc de jonction de déconnexion d'essai installé conformément aux instructions du constructeur.

La section du conducteur avec lequel la borne est câblée et le courant de courte durée admissible doivent être extraits du Tableau D.4 ou du Tableau D.5.

Les conducteurs sur les blocs de jonction comportant des organes de serrage à vis et, le cas échéant, des unités de déconnexion à vis doivent être serrés avec un couple selon le Tableau 4 de la CEI 60947-1 ou en alternative selon la valeur de couple le plus élevé établie par le constructeur.

Si la section du conducteur est inférieure à 10 mm<sup>2</sup> (AWG 8), les conducteurs doivent être à âme massive. Pour les sections de conducteur égales ou supérieures à 10 mm<sup>2</sup> (AWG 8), les conducteurs doivent être rigides à âme câblée.

Après vérification de la chute de tension selon D.8.4.4, l'essai doit être réalisé avec un courant de courte durée admissible tel que spécifié ci-dessus et de durée conforme à D.7.2.3.

A la fin de l'essai, aucun dommage susceptible de compromettre l'utilisation ultérieure ne doit être occasionné à quelque endroit que ce soit du bloc de jonction de déconnexion d'essai. Après refroidissement à la température ambiante et sans apporter aucun changement dans la disposition, le bloc de jonction de déconnexion d'essai doit satisfaire à l'essai de chute de tension conformément à D.8.4.4.

**Tableau D.4 – Courant de courte durée admissible et section de conducteur correspondante en mm<sup>2</sup>**

Courant établi par le constructeur A	Section de conducteur correspondante mm <sup>2</sup>	Courant de courte durée admissible (120 A/ mm <sup>2</sup> ) A
0 < I ≤ 4	0,2	24
4 < I ≤ 5	0,34	40,8
5 < I ≤ 6	0,5	60
6 < I ≤ 9	0,75	90
9 < I ≤ 13,5	1	120
13,5 < I ≤ 17,5	1,5	180
17,5 < I ≤ 24	2,5	300
24 < I ≤ 32	4	480
32 < I ≤ 41	6	720
41 < I ≤ 57	10	1 200
57 < I ≤ 76	16	1 920
76 < I ≤ 101	25	3 000
101 < I ≤ 125	35	4 200

**Tableau D.5 – Courant de courte durée admissible et section de conducteur correspondante en AWG**

Courant établi par le constructeur A	Section de conducteur correspondante AWG	Courant de courte durée admissible (120 A/mm <sup>2</sup> ) A
0 < I ≤ 4	24	24,6
4 < I ≤ 6	22	38,9
6 < I ≤ 8	20	62,3
8 < I ≤ 10	18	98,4
10 < I ≤ 16	16	156
16 < I ≤ 22	14	252
22 < I ≤ 29	12	396
29 < I ≤ 38	10	636
38 < I ≤ 50	8	1 008
50 < I ≤ 67	6	1 596
67 < I ≤ 90	4	2 544
90 < I ≤ 121	2	4 032

#### **D.8.4.7 Essai de vieillissement pour les blocs de jonction de déconnexion d'essai à organes de serrage sans vis**

Le Paragraphe 8.4.7 s'applique avec les additions suivantes. Pendant la durée de l'essai, on applique un courant selon D.8.4.5. Les unités de déconnexion du type à vis doivent être serrées avec un couple selon le Tableau 4 de la CEI 60947-1 ou, si applicable, une valeur supérieure établie par le constructeur.

Pendant cet essai, la chute de tension doit être mesurée sur chaque organe de serrage conducteur particulier selon la Figure D.1.

En aucun cas la chute de tension sur chaque organe de serrage conducteur particulier ne doit dépasser la plus petite des deux valeurs suivantes: 2,4 mV ou 1,5 fois la valeur mesurée après le 24<sup>e</sup> cycle.

#### **D.8.5 Vérification des caractéristiques thermiques**

Le Paragraphe 8.5 s'applique avec l'addition suivante.

##### **D.8.5.1 Durée de vie**

L'essai doit être réalisé sur les blocs de jonction de déconnexion d'essai adjacents reliés en série par des conducteurs de la section assignée, comme indiqué à la Figure D.1.

Les unités de déconnexion du type à vis doivent être serrées avec un couple selon le Tableau 4 de la CEI 60947-1 ou, si applicable, une valeur supérieure établie par le constructeur.

Le couple de serrage doit être conforme au Tableau 4 de la CEI 60947-1 ou en variante conforme à la valeur de couple la plus élevée établie par le constructeur.

Après vérification de la chute de tension selon D.8.4.4, les unités de déconnexion des échantillons sont déconnectées et connectées l'une après l'autre, comme prévu en usage normal, au potentiel 0 avec le nombre de cycles de manœuvres établi par le constructeur.

Le dispositif d'essai en totalité est ensuite stocké pendant 168 h en chaleur sèche à une température de 85 °C.

A la fin de l'essai, après refroidissement à la température de l'air ambiant et sans apporter aucun changement dans la disposition, les échantillons doivent satisfaire à l'essai de chute de tension selon D.8.4.4.

#### **D.8.6 Vérification des caractéristiques de CEM**

Le Paragraphe 8.6 s'applique.

## Bibliographie

CEI 60228, Ames des câbles isolés

IEC/TR 60344, Calculation of d.c. resistance of plain and coated copper conductors of low-frequency cables and wires – Application guide  
(disponible uniquement en anglais)

CEI 60715, Dimensions de l'appareillage à basse tension – Montage normalisé sur profils-supports pour le support mécanique des appareils électriques dans les installations d'appareillage à basse tension

ASTM B 172-71 (Re-approved 1985), *Standard specification for rope – Lay-stranded copper conductors having bunch-stranded members, for electrical energy*  
(disponible uniquement en anglais)

ICEA Publication S-19-81 (6<sup>th</sup> edition) / NEMA Publication WC 3-1980 – Rubber insulated wire and cable for the transmission and distribution of electrical energy

ICEA Publication S-66-524 (2<sup>nd</sup> edition) / NEMA Publication WC 7-1982 – Cross-linked thermosetting polyethylene insulated wire and cable for the transmission and distribution of electrical energy

ICEA Publication S-68-516 / NEMA Publication WC 8-1976 – Ethylene propylene-rubber-insulated wire and cable for the transmission and distribution of electrical energy

---



INTERNATIONAL  
ELECTROTECHNICAL  
COMMISSION

3, rue de Varembé  
PO Box 131  
CH-1211 Geneva 20  
Switzerland

Tel: + 41 22 919 02 11  
Fax: + 41 22 919 03 00  
[info@iec.ch](mailto:info@iec.ch)  
[www.iec.ch](http://www.iec.ch)