

INTERNATIONAL STANDARD

NORME INTERNATIONALE

**Insulation co-ordination –
Part 11: Definitions, principles and rules for HVDC system**

**Coordination de l'isolement –
Partie 11: Définitions, principes et règles relatifs au réseau CCHT**





THIS PUBLICATION IS COPYRIGHT PROTECTED

Copyright © 2022 IEC, Geneva, Switzerland

All rights reserved. Unless otherwise specified, no part of this publication may be reproduced or utilized in any form or by any means, electronic or mechanical, including photocopying and microfilm, without permission in writing from either IEC or IEC's member National Committee in the country of the requester. If you have any questions about IEC copyright or have an enquiry about obtaining additional rights to this publication, please contact the address below or your local IEC member National Committee for further information.

Droits de reproduction réservés. Sauf indication contraire, aucune partie de cette publication ne peut être reproduite ni utilisée sous quelque forme que ce soit et par aucun procédé, électronique ou mécanique, y compris la photocopie et les microfilms, sans l'accord écrit de l'IEC ou du Comité national de l'IEC du pays du demandeur. Si vous avez des questions sur le copyright de l'IEC ou si vous désirez obtenir des droits supplémentaires sur cette publication, utilisez les coordonnées ci-après ou contactez le Comité national de l'IEC de votre pays de résidence.

IEC Secretariat
3, rue de Varembé
CH-1211 Geneva 20
Switzerland

Tel.: +41 22 919 02 11
info@iec.ch
www.iec.ch

About the IEC

The International Electrotechnical Commission (IEC) is the leading global organization that prepares and publishes International Standards for all electrical, electronic and related technologies.

About IEC publications

The technical content of IEC publications is kept under constant review by the IEC. Please make sure that you have the latest edition, a corrigendum or an amendment might have been published.

IEC publications search - webstore.iec.ch/advsearchform

The advanced search enables to find IEC publications by a variety of criteria (reference number, text, technical committee, ...). It also gives information on projects, replaced and withdrawn publications.

IEC Just Published - webstore.iec.ch/justpublished

Stay up to date on all new IEC publications. Just Published details all new publications released. Available online and once a month by email.

IEC Customer Service Centre - webstore.iec.ch/csc

If you wish to give us your feedback on this publication or need further assistance, please contact the Customer Service Centre: sales@iec.ch.

IEC Products & Services Portal - products.iec.ch

Discover our powerful search engine and read freely all the publications previews. With a subscription you will always have access to up to date content tailored to your needs.

Electropedia - www.electropedia.org

The world's leading online dictionary on electrotechnology, containing more than 22 300 terminological entries in English and French, with equivalent terms in 19 additional languages. Also known as the International Electrotechnical Vocabulary (IEV) online.

A propos de l'IEC

La Commission Electrotechnique Internationale (IEC) est la première organisation mondiale qui élabore et publie des Normes internationales pour tout ce qui a trait à l'électricité, à l'électronique et aux technologies apparentées.

A propos des publications IEC

Le contenu technique des publications IEC est constamment revu. Veuillez vous assurer que vous possédez l'édition la plus récente, un corrigendum ou amendement peut avoir été publié.

Recherche de publications IEC - webstore.iec.ch/advsearchform

La recherche avancée permet de trouver des publications IEC en utilisant différents critères (numéro de référence, texte, comité d'études, ...). Elle donne aussi des informations sur les projets et les publications remplacées ou retirées.

IEC Just Published - webstore.iec.ch/justpublished

Restez informé sur les nouvelles publications IEC. Just Published détaille les nouvelles publications parues. Disponible en ligne et une fois par mois par email.

Service Clients - webstore.iec.ch/csc

Si vous désirez nous donner des commentaires sur cette publication ou si vous avez des questions contactez-nous: sales@iec.ch.

IEC Products & Services Portal - products.iec.ch

Découvrez notre puissant moteur de recherche et consultez gratuitement tous les aperçus des publications. Avec un abonnement, vous aurez toujours accès à un contenu à jour adapté à vos besoins.

Electropedia - www.electropedia.org

Le premier dictionnaire d'électrotechnologie en ligne au monde, avec plus de 22 300 articles terminologiques en anglais et en français, ainsi que les termes équivalents dans 19 langues additionnelles. Egalement appelé Vocabulaire Electrotechnique International (IEV) en ligne.



IEC 60071-11

Edition 1.0 2022-11

INTERNATIONAL STANDARD

NORME INTERNATIONALE

**Insulation co-ordination –
Part 11: Definitions, principles and rules for HVDC system**

**Coordination de l'isolement –
Partie 11: Définitions, principes et règles relatifs au réseau CCHT**

INTERNATIONAL
ELECTROTECHNICAL
COMMISSION

COMMISSION
ELECTROTECHNIQUE
INTERNATIONALE

ICS 29.080.30

ISBN 978-2-8322-6026-5

**Warning! Make sure that you obtained this publication from an authorized distributor.
Attention! Veuillez vous assurer que vous avez obtenu cette publication via un distributeur agréé.**

CONTENTS

FOREWORD.....	4
INTRODUCTION.....	6
1 Scope.....	7
2 Normative references	7
3 Terms and definitions	8
4 Symbols and abbreviations.....	13
4.1 General.....	13
4.2 Subscripts.....	14
4.3 Letter symbols	14
4.4 Abbreviations.....	15
5 Principles of insulation co-ordination	15
5.1 General.....	15
5.2 Essential differences between AC and DC systems.....	15
5.3 Insulation co-ordination procedure	16
5.4 Differences of withstand voltage selection in AC and DC systems.....	16
6 Design procedure of insulation co-ordination	18
6.1 General.....	18
6.2 Arrester characteristics	18
6.3 Insulation characteristics	18
6.4 Determination of the representative overvoltages (U_{rp}).....	18
6.5 Determination of the co-ordination withstand voltages (U_{cw}).....	19
6.6 Determination of the required withstand voltages (U_{rw})	19
6.7 Determination of the specified withstand voltage (U_w)	21
7 Requirements for withstand voltage tests.....	21
8 Creepage distances.....	21
8.1 General.....	21
8.2 Base voltage for creepage distance	22
8.3 Creepage distance for outdoor insulation under DC voltage	22
8.4 Creepage distance for indoor insulation under DC or mixed voltage.....	22
8.5 Creepage distance of AC insulators	22
9 Clearances in air	23
Annex A (informative) Typical HVDC converter station schemes	24
Annex B (informative) Example of air clearances calculation.....	28
B.1 Introductory remarks	28
B.2 Calculated minimum air clearance for switching impulse stress.....	28
B.2.1 General	28
B.2.2 Example calculation.....	29
B.3 Calculated minimum air clearance for lightning impulse stress	29
B.3.1 General	29
B.3.2 Example calculation.....	30
Annex C (normative) Example of typical DC voltages with possible insulation levels and corresponding air clearances	31
C.1 Introductory remarks	31
C.2 List of typical DC voltages and possible insulation levels	31

C.3	Example of presumed switching impulse insulation levels and minimum air clearances	31
C.4	Example of presumed lightning impulse insulation levels and minimum air clearances	33
C.5	Possible/Presumed specified DC withstand voltages	33
C.5.1	General	33
C.5.2	Specified DC withstand voltages	34
C.5.3	List of specified power frequency withstand voltages	34
Annex D (informative)	Typical arrester characteristics	35
Annex E (informative)	The Correlation of clauses between IEC 60071-11 and IEC 60071-5:2014	36
Bibliography	37
Figure 1	– Comparison of the selection between withstand voltages for AC equipment and for HVDC converter station equipment	17
Figure A.1	– Possible arrester locations in one pole of bipole LCC converter station with 12-pulse converters in series	25
Figure A.2	– Possible arrester locations in one pole of bipolar of VSC converter stations	26
Figure A.3	– Possible arrester locations in symmetrical monopole VSC converter stations	26
Figure D.1	– Typical arrester V-I characteristics	35
Table 1	– Classes and shapes of overvoltages, standard voltage shapes and standard withstand voltage tests	9
Table 2	– Comparison of the insulation co-ordination procedure of AC and DC systems	16
Table 3	– Indicative values of ratios of required impulse withstand voltage to impulse protective level	20
Table A.1	– Symbol description	27
Table C.1	– Typical DC voltages and switching/lightning impulse withstand voltage	32
Table C.2	– Correlation between presumed rated switching impulse withstand voltages and minimum phase-to-earth air clearances	33
Table C.3	– Correlation between presumed rated lightning impulse withstand voltages and minimum phase-to-earth air clearances	34

INTERNATIONAL ELECTROTECHNICAL COMMISSION

INSULATION CO-ORDINATION –

Part 11: Definitions, principles and rules for HVDC system

FOREWORD

- 1) The International Electrotechnical Commission (IEC) is a worldwide organization for standardization comprising all national electrotechnical committees (IEC National Committees). The object of IEC is to promote international co-operation on all questions concerning standardization in the electrical and electronic fields. To this end and in addition to other activities, IEC publishes International Standards, Technical Specifications, Technical Reports, Publicly Available Specifications (PAS) and Guides (hereafter referred to as “IEC Publication(s)”). Their preparation is entrusted to technical committees; any IEC National Committee interested in the subject dealt with may participate in this preparatory work. International, governmental and non-governmental organizations liaising with the IEC also participate in this preparation. IEC collaborates closely with the International Organization for Standardization (ISO) in accordance with conditions determined by agreement between the two organizations.
- 2) The formal decisions or agreements of IEC on technical matters express, as nearly as possible, an international consensus of opinion on the relevant subjects since each technical committee has representation from all interested IEC National Committees.
- 3) IEC Publications have the form of recommendations for international use and are accepted by IEC National Committees in that sense. While all reasonable efforts are made to ensure that the technical content of IEC Publications is accurate, IEC cannot be held responsible for the way in which they are used or for any misinterpretation by any end user.
- 4) In order to promote international uniformity, IEC National Committees undertake to apply IEC Publications transparently to the maximum extent possible in their national and regional publications. Any divergence between any IEC Publication and the corresponding national or regional publication shall be clearly indicated in the latter.
- 5) IEC itself does not provide any attestation of conformity. Independent certification bodies provide conformity assessment services and, in some areas, access to IEC marks of conformity. IEC is not responsible for any services carried out by independent certification bodies.
- 6) All users should ensure that they have the latest edition of this publication.
- 7) No liability shall attach to IEC or its directors, employees, servants or agents including individual experts and members of its technical committees and IEC National Committees for any personal injury, property damage or other damage of any nature whatsoever, whether direct or indirect, or for costs (including legal fees) and expenses arising out of the publication, use of, or reliance upon, this IEC Publication or any other IEC Publications.
- 8) Attention is drawn to the Normative references cited in this publication. Use of the referenced publications is indispensable for the correct application of this publication.
- 9) Attention is drawn to the possibility that some of the elements of this IEC Publication may be the subject of patent rights. IEC shall not be held responsible for identifying any or all such patent rights.

IEC 60071-11 has been prepared by IEC technical committee 99: Insulation co-ordination and system engineering of high voltage electrical power installations above 1,0 kV AC and 1,5 kV DC. It is an International Standard.

This international standard replaces, in conjunction with IEC 60071-12, IEC 60071-5 published in 2014.

This edition includes the following significant technical changes with respect to IEC 60071-5:2014:

- a) This standard applies to both LCC and VSC HVDC systems whereas IEC 60071-5 only dealt with LCC HVDC system;
- b) Annex C (normative) gives the recommended specified withstand voltage (LI and SI);
- c) Annex C (normative) gives the minimum air clearances;
- d) Annex E shows the correlation of clauses between this standard and IEC 60071-5:2014.

The text of this International Standard is based on the following documents:

Draft	Report on voting
99/374/FDIS	99/394/RVD

Full information on the voting for its approval can be found in the report on voting indicated in the above table.

The language used for the development of this International Standard is English.

This document was drafted in accordance with ISO/IEC Directives, Part 2, and developed in accordance with ISO/IEC Directives, Part 1 and ISO/IEC Directives, IEC Supplement, available at www.iec.ch/members_experts/refdocs. The main document types developed by IEC are described in greater detail at www.iec.ch/standardsdev/publications.

A list of all parts in the IEC 60071 series, published under the general title *Insulation co-ordination*, can be found on the IEC website.

The committee has decided that the contents of this document will remain unchanged until the stability date indicated on the IEC website under webstore.iec.ch in the data related to the specific document. At this date, the document will be

- reconfirmed,
- withdrawn,
- replaced by a revised edition, or
- amended.

The contents of the corrigendum 1 (2023-11) have been included in this copy.

INTRODUCTION

As the demand for electrical energy is growing, more and more HVDC projects have appeared, and the voltage up to ± 1 100 kV so far. However, the nominal voltage, nominal current and insulation levels for HVDC system are not yet as standardized as the AC system.

In October 2016, IEC Technical Committee 28 (Insulation co-ordination) established AHG 8 (Ad hoc group 8) to make the roadmap for HVDC system insulation co-ordination standards.

After IEC TC 28 was merged into IEC TC 99 in 2017, JWG 13 (Joint working group 13) was built by IEC TC 99 and TC 115 and was responsible for making the series standards for HVDC system according to the approved roadmap, as follows:

- a) Part 11: Definitions, principles and rules for HVDC system;
- b) Part 12: Application guidelines for LCC HVDC converter stations;
- c) Part 13: Application guidelines for VSC HVDC converter stations;
- d) Part 14: Insulation co-ordination for AC/DC filters;
- e) Part 15: Insulation co-ordination for DC transmission lines.

INSULATION CO-ORDINATION –

Part 11: Definitions, principles and rules for HVDC system

1 Scope

This part of IEC 60071 applies to high-voltage direct current (HVDC) systems. It specifies the principles on the procedures for the determination of the specified withstand voltages, creepage distance and air clearances for the equipment and the installations of these systems.

This document gives the insulation co-ordination principles related to line commutated converter (LCC) and voltage sourced converters (VSC) HVDC systems. The main principles of this document also apply to other special converter configurations of LCC, such as the capacitor commutated converter (CCC) as well as the controlled series compensated converter (CSCC), etc.

This document applies to insulation co-ordination of equipment connected between the converter AC bus (including the AC harmonic filters, the converter transformer, the circuit breakers) and the DC line side. The line and cable terminations in so far as they influence the insulation co-ordination of converter station equipment are also covered.

This document applies only for HVDC applications in power systems and not for industrial conversion equipment. Principles and guidance given are for insulation co-ordination purposes only. The requirements for human safety are not covered by this document.

2 Normative references

The following documents are referred to in the text in such a way that some or all of their content constitutes requirements of this document. For dated references, only the edition cited applies. For undated references, the latest edition of the referenced document (including any amendments) applies.

IEC 60060-1, *High-voltage test techniques – Part 1: General definitions and test requirements*

IEC 60071-1:2019, *Insulation co-ordination – Part 1: Definitions, principles and rules*

IEC 60071-2:2018, *Insulation co-ordination – Part 2: Application guidelines*

IEC 60099-4:2014, *Surge arresters – Part 4: Metal-oxide surge arresters without gaps for a.c. systems*

IEC TS 60815-1:2008, *Selection and dimensioning of high-voltage insulators intended for use in polluted conditions – Part 1: Definitions, information and general principles*

IEC TS 60815-2:2008, *Selection and dimensioning of high-voltage insulators intended for use in polluted conditions – Part 2: Ceramic and glass insulators for a.c. systems*

IEC TS 60815-3:2008, *Selection and dimensioning of high-voltage insulators intended for use in polluted conditions – Part 3: Polymer insulators for a.c. systems*

3 Terms and definitions

For the purposes of this document, the following terms and definitions apply.

ISO and IEC maintain terminological databases for use in standardization at the following addresses:

- IEC Electropedia: available at <http://www.electropedia.org/>
- ISO Online browsing platform: available at <http://www.iso.org/obp>

NOTE Many of the following definitions refer to insulation co-ordination concepts (IEC 60071-1), or to arrester parameters (IEC 60099-4).

3.1

insulation co-ordination

selection of the dielectric strength of equipment in relation to the operating voltages and overvoltages which can appear on the system for which the equipment is intended and taking into account the service environment and the characteristics of the available preventing and protective devices

[SOURCE: IEC 60071-1:2019, 3.1, modified – The note to entry has been removed.]

3.2

nominal DC voltage

mean value of the DC voltage required to transmit nominal power at nominal current

3.3

highest DC voltage

highest value of DC voltage for which the equipment and system is designed to operate continuously, in respect of its insulation as well as other characteristics

3.4

symmetrical monopole

HVDC converter with symmetrical DC voltage outputs on the two pole terminals

Note 1 to entry: A symmetrical monopole is generally applicable only to the VSC HVDC systems.

Note 2 to entry: "Symmetrical monopole" is used even though there are two polarities with DC voltages, because only one converter is unable to provide the redundancy which is generally provided by "bipole".

Note 3 to entry: In the symmetrical monopole operation, persistent overvoltage appears at the sound (healthy) pole when a fault occurs at the opposite pole.

3.5

asymmetrical monopole

for the HVDC converter with asymmetrical DC voltage outputs on the two terminals, one terminal is generally earthed

3.6

bipole

in general, two asymmetrical monopoles form a bipolar DC circuit

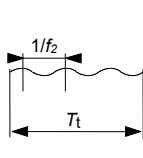
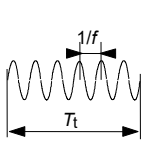
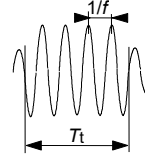
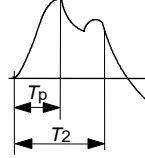
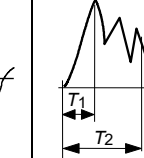
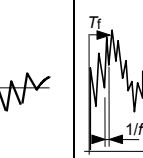
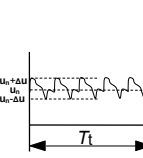
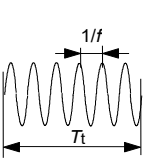
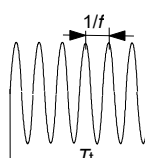
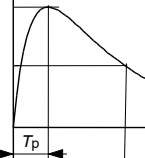
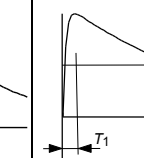
3.7

overvoltage

voltage having a value exceeding the corresponding highest steady state voltage of the system

Note 1 to entry: Table 1 presents (as per IEC 60071-1) the classification of these voltages which are defined in 3.7.1 to 3.7.2.3.

Table 1 – Classes and shapes of overvoltages, standard voltage shapes and standard withstand voltage tests

Class	Low frequency			Transient		
	Continuous	Temporary		Slow-front	Fast-front	Very-fast-front
Voltage or over-voltage shapes						
Range of voltage or over-voltage shapes	$T_t \geq 3\,600\text{ s}$ $1/T_t = f_1 = 0\text{ Hz}$ $f_2 < 2\,500\text{ Hz}$	$f = 50\text{ Hz or } 60\text{ Hz}$ $T_t \geq 3\,600\text{ s}$	$10\text{ Hz} < f < 500\text{ Hz}$ $0,02\text{ s} \leq T_t \leq 3\,600\text{ s}$	$20\text{ }\mu\text{s} < T_p \leq 5\,000\text{ }\mu\text{s}$ $T_2 \leq 20\text{ ms}$	$0,1\text{ }\mu\text{s} < T_1 \leq 20\text{ }\mu\text{s}$ $T_2 \leq 300\text{ }\mu\text{s}$	$T_f \leq 100\text{ ns}$ $0,3\text{ MHz} < f_1 < 100\text{ MHz}$ $30\text{ kHz} < f_2 < 300\text{ kHz}$
Standard voltage shapes	 $\frac{\Delta U}{U_n} \leq 3\%_b$ T_t^a	 $f = 50\text{ Hz or } 60\text{ Hz}$ T_t^a	 $48\text{ Hz} \leq f \leq 62\text{ Hz}$ $T_t = 60\text{ s}$	 $T_p = 250\text{ }\mu\text{s}$ $T_2 = 2\,500\text{ }\mu\text{s}$	 $T_1 = 1,2\text{ }\mu\text{s}$ $T_2 = 50\text{ }\mu\text{s}$	a
Standard withstand voltage test	DC voltage test ^a	a	Short-duration power frequency test	Switching impulse test	Lightning impulse test	a

^a To be specified by the relevant apparatus committees.

^b Unless otherwise specified by the relevant Technical Committees, standard voltage shapes should be in accordance with IEC 60060-1.

3.7.1 temporary overvoltage

overvoltages of relatively long duration (ranging from 0,02 to 3 600 s as per IEC 60071-1)

Note 1 to entry: The overvoltage can be undamped or weakly damped.

3.7.2 transient overvoltage

short-duration overvoltage of a few millisecond or less, oscillatory or non-oscillatory, usually highly damped

[SOURCE: IEC 60071-1: 2019, 3.17.2, modified – The note to entry has been removed.]

3.7.2.1 slow-front overvoltage

transient overvoltage, usually unidirectional, with time to peak $20\text{ }\mu\text{s} < T_p \leq 5\,000\text{ }\mu\text{s}$, and tail duration $T_2 \leq 20\text{ ms}$

Note 1 to entry: For the purpose of insulation co-ordination, slow-front overvoltages are classified according to their shape, regardless of their origin. Although considerable deviations from the standard shapes occur on actual systems, in this standard it is considered sufficient in most cases to describe such overvoltages by their classification and peak value.

3.7.2.2

fast-front overvoltage

overvoltage at a given location on a system, due to a lightning discharge or other cause, the shape of which can be regarded, for insulation co-ordination purposes, as similar to that of the standard impulse (IEC 60060-1) used for lightning impulse tests

Note 1 to entry: Fast-front overvoltage is defined as transient overvoltage, usually unidirectional, with time to peak $0,1 \mu\text{s} < T_1 \leq 20 \mu\text{s}$, and tail duration $T_2 \leq 300 \mu\text{s}$ in IEC 60071-1:2019, 3.17.2.2.

Note 2 to entry: For the purpose of insulation co-ordination, fast-front overvoltages are classified according to their shape, regardless of their origin. Although considerable deviations from the standard shapes occur on actual systems, in this standard it is considered sufficient in most cases to describe such overvoltages by their classification and peak value.

3.7.2.3

very-fast-front overvoltage

transient overvoltage, usually unidirectional, with time to peak $T_f < 0,1 \mu\text{s}$, and with or without superimposed oscillations at frequency $30 \text{ kHz} < f < 100 \text{ MHz}$

[SOURCE: IEC 60071-1:2019, 3.17.2.3, modified – The abbreviated term VFFO has been removed.]

3.7.2.4

steep-front overvoltage

transient overvoltage classified as a kind of fast-front overvoltage with time to peak $3 \text{ ns} < T_1 < 1,2 \mu\text{s}$

Note 1 to entry: A steep-front impulse voltage for test purposes is defined in IEC 60700-1.

Note 2 to entry: The front time is decided by means of system studies.

3.7.2.5

combined overvoltage

overvoltage consisting of two voltage components simultaneously applied between each of the two-phase terminals of a phase-to-phase (or longitudinal) insulation and earth

Note 1 to entry: Combined overvoltage can include temporary, slow-front, fast-front or very-fast front overvoltages.

Note 2 to entry: It is classified by the component of higher peak value.

3.8

representative overvoltage

U_{rp}

overvoltage assumed to produce the same dielectric effect on the insulation as overvoltage of a given class occurring in service due to various origins

Note 1 to entry: In this document, it is generally assumed that the representative overvoltages are characterized by their assumed or obtained maximum values.

[SOURCE: IEC 60071-1:2019, 3.19, modified – The notes to entry have been removed and replaced by a new Note 1.]

3.8.1

representative slow-front overvoltage

RSFO

voltage value between terminals of an equipment having the shape of a standard switching impulse

3.8.2 representative fast-front overvoltage

RFFO

voltage value between terminals of an equipment having the shape of a standard lightning impulse

3.8.3 representative steep-front overvoltage

RSTO

voltage value with a standard shape having a time to crest less than that of a standard lightning impulse, but not less than that of a very-fast-front overvoltage as defined by IEC 60071-1

Note 1 to entry: A steep-front impulse voltage for test purposes is defined in Figure 1 of IEC 60700-1:2015. The front time is decided by means of system studies.

3.9 co-ordination withstand voltage

U_{cw}

for each class of voltage, value of the withstand voltage of the insulation configuration, in actual service conditions, that meets the performance criterion

[SOURCE: IEC 60071-1:2019, 3.25]

3.10 required withstand voltage

U_{rw}

test voltage that the insulation must withstand in a standard withstand voltage test to ensure that the insulation will meet the performance criterion when subjected to a given class of overvoltages in actual service conditions and for the whole service duration

Note 1 to entry: The required withstand voltage has the shape of the co-ordination withstand voltage, and is specified with reference to all the conditions of the standard withstand voltage test selected to verify it

[SOURCE: IEC 60071-1:2019, 3.28]

3.11 specified withstand voltage

U_w

test voltage suitably selected equal to or above the required withstand voltage (U_{rw})

Note 1 to entry: For AC equipment, values of withstand voltages U_w are standardized as per IEC 60071-1. For HVDC equipment, the specified withstand voltages are rounded up to convenient practical values.

Note 2 to entry: The standard impulse shapes used for withstand tests on equipment as well as the test procedures are defined in IEC 60060-1 and IEC 60071-1. For some DC equipment (e.g. the thyristor valves), the standard impulse shapes may be modified in order to more realistically reflect expected conditions.

3.11.1 switching impulse withstand voltage

SIWV

withstand voltage of insulation with the shape of the standard switching impulse

3.11.2 lightning impulse withstand voltage

LIWV

withstand voltage of insulation with the shape of the standard lightning impulse

3.11.3**steep-front impulse withstand voltage**

STIWW

withstand voltage of insulation with the shape parameters in 3.7.2.4

3.12**continuous operating voltage of an arrester** U_c

permissible r.m.s. value of power frequency voltage that may be applied continuously between the terminals of the arrester

[SOURCE: IEC 60099-4:2014, 3.10, modified – The words “designated” at the beginning of the definition and “in accordance with 8.7” at the end have been removed.]

3.13**equivalent continuous operating voltage of an arrester**

ECOV

r.m.s. value of the sinusoidal power frequency voltage at a metal-oxide surge arrester stressed by operating voltage of any wave-shape that generates the same power losses in the metal oxide materials as the actual operating voltage

3.14**residual voltage of an arrester** U_{res}

peak value of voltage that appears between the terminals of an arrester during the passage of a discharge current

[SOURCE: IEC 60099-4:2014, 3.58, modified – The note to entry has been removed.]

3.15**co-ordination currents of an arrester**

for a given system under study and for each class of overvoltage, the current through the arrester for which the representative overvoltage is determined

Note 1 to entry: Standard shapes of co-ordination currents for steep-front, lightning and switching current impulses are given in IEC 60099-4.

Note 2 to entry: The co-ordination currents are determined by system studies.

3.16**protective levels of an arrester**

for each voltage class, residual voltage that appears between the terminals of an arrester during the passage of a discharge current corresponding to the co-ordination current

Note 1 to entry: For HVDC converter equipment, the following specific definitions 3.16.1 to 3.16.3 apply.

3.16.1**switching impulse protective level**

SIPL

residual voltage of a surge arrester subjected to a discharge current corresponding to the co-ordination switching impulse current

3.16.2**lightning impulse protective level**

LIPL

residual voltage of a surge arrester subjected to a discharge current corresponding to the co-ordination lightning impulse current

3.16.3**steep-front impulse protective level**

STIPL

residual voltage of a surge arrester subjected to a discharge current corresponding to the co-ordination steep-front impulse current

3.17**directly protected equipment**

equipment connected in parallel to a surge arrester for which the separation distance can be neglected and any representative overvoltage be considered equal to the corresponding protective level

3.18**creepage distance**

shortest distance, or the sum of the shortest distances, along the insulating parts of the insulator between those parts which normally have the operating voltage between them

Note 1 to entry: The surface of cement or of any other non-insulating jointing material is not considered as forming part of the creepage distance.

Note 2 to entry: If a high resistance coating, e.g. semi-conductive glaze, is applied to parts of the insulating part of an insulator, such parts are considered to be effective insulating surfaces and the distance over them is included in the creepage distance.

[SOURCE: IEC TS 60815-1: 2008, 3.1.5]

3.19**unified specific creepage distance**

USCD

creepage distance of an insulator divided by the maximum operating voltage across the insulator. It is generally expressed in mm/kV

[SOURCE: IEC TS 60815-4:2016, 3.1.1, modified – The note to entry has been removed.]

3.20**separation distance**

distance between the high voltage terminal of the protected equipment and the connection point of the arrester high voltage conductor

3.21**performance criterion**

basis on which the insulation is selected so as to reduce to an economically and operationally acceptable level the probability that the resulting voltage stresses imposed on the equipment will cause damage to equipment insulation or affect continuity of service

Note 1 to entry: The performance criterion is usually expressed in terms of an acceptable failure rate (number of failures per year, years between failures, risk of failure, etc.) of the insulation configuration.

[SOURCE: IEC 60071-1:2019, 3.23]

4 Symbols and abbreviations**4.1 General**

The list provided in 4.2 below covers only the most frequently used symbols and abbreviations, some of which are illustrated graphically in the single-line diagram of Figure A.1 and Table A.1. For a more complete list of symbols which has been adopted for HVDC converter stations, and also for insulation co-ordination, refer to the standards listed in the normative references (Clause 2) and to the Bibliography.

4.2 Subscripts

0(zero)	at no load (IEC 60633)
d	direct current or voltage (IEC 60633)
i	ideal (IEC 60633)
max	maximum (IEC 60633)
n	pertaining to harmonic component of order n (IEC 60633)

4.3 Letter symbols

K_a	altitude correction factor (IEC 60071-1)
K_c	co-ordination factor (IEC 60071-1)
K_s	safety factor (IEC 60071-1)
U_c	continuous operating voltage of an arrester
U_{ch}	continuous operating voltage of an arrester including harmonics
U_n	nominal voltage of DC system
U_s	highest voltage of an AC system (IEC 60071-1 and 60071-2)
U_m	highest voltage for the equipment
U_{50}	50 % disruptive discharge voltage
U_{rp}	representative overvoltage
U_{cw}	co-ordination withstand voltage
U_{rw}	required withstand voltage
U_w	specified withstand voltage (standard withstand voltage in AC)
σ	the standard deviation
N	the number of the conventional deviations

4.4 Abbreviations

HVDC	high voltage direct current
DC (d.c.)	direct current
AC (a.c.)	alternating current
LCC	line commutated converter
VSC	voltage sourced converter
CCC	capacitor commutated converter
CSCC	controlled series compensated converter
CCOV	crest value of continuous operating voltage
PCOV	peak continuous operating voltage
ECOV	equivalent continuous operating voltage
RSFO	representative slow-front overvoltage (the maximum voltage stress value)
RFFO	representative fast-front overvoltage (the maximum voltage stress value)
RSTO	representative steep-front overvoltage (the maximum voltage stress value)
RSIWV	required switching impulse withstand voltage
RLIWV	required lightning impulse withstand voltage
RSTIWV	required steep-front impulse withstand voltage
SIPL	switching impulse protective level
LIPL	lightning impulse protective level
STIPL	steep-front impulse protective level
SIWV	switching impulse withstand voltage
LIWV	lightning impulse withstand voltage
STIWV	steep-front impulse withstand voltage
USCD	unified specific creepage distance
RUSCD	reference unified specific creepage distance

5 Principles of insulation co-ordination

5.1 General

The primary objectives of insulation co-ordination are:

- to determine the maximum steady state, temporary and transient overvoltage levels to which the various components of a system may be subjected in practice;
- to select the insulation strength and characteristics of equipment, including the protective devices, used in order to ensure a safe, economic and reliable installation in the event of overvoltages.

5.2 Essential differences between AC and DC systems

The insulation co-ordination applied to an HVDC converter station is basically the same in principle as that of an AC substation. However, essential differences exist which warrant particular consideration when dealing with HVDC converter stations. For example, there is a need to consider the following:

- a) the requirements of series-connected valve groups involving surge arresters connected across individual valves and between terminals away from earth potential which involves the use of different insulation levels for different parts of the HVDC converter station;

- b) the topology of the converter circuits with no direct exposure to the external overvoltage since these circuits are bounded by inductances of converter transformers and smoothing reactors;
- c) the presence of reactive power sources and harmonic filters on both the AC and DC sides giving rise to potential overvoltages and higher probability of resonance conditions;
- d) applications involving long overhead transmission lines and/or cables without intervening switching stations, with potential for resonance conditions on the DC side;
- e) the presence of converter transformers with the valve side not directly connected to earth potential, and a DC voltage offset;
- f) the characteristics of the converter valves resulting in composite voltage wave shapes (which include in some cases a combination of direct voltage, fundamental frequency voltage, harmonic voltages and high frequency components), commutation failures, etc.;
- g) control malfunction resulting in possible valve misfires, trigger failure, current extinction;
- h) fast control and protection action reducing overvoltages;
- i) voltage polarity effects of DC stress which, by attracting greater contaminants to the DC insulation because of constant polarity, lead to greater creepage and clearance requirements and to worse pollution and flashover performance compared with AC insulation under the same environment;
- j) interaction between the AC and DC systems, particularly where the AC system is relatively weak;
- k) the various operating modes of the converter such as monopolar, bipolar, parallel or multiterminal;
- l) no standard insulation levels exist in the case of DC systems so far.

5.3 Insulation co-ordination procedure

The general method of investigation for an HVDC converter station contains the following:

- a) selection of the DC circuit configuration, for example location of the DC smoothing reactors, location of the DC side earthing, converter transformer valve winding connection (star or delta) to the higher DC voltage terminal;
- b) selection of arrester arrangement according to the selected DC circuit configuration;
- c) evaluation of the characteristics of the AC system at the commutation bus and the DC system and their interaction to determine different representative overvoltages and current/energy stresses imposed on surge arresters;
- d) optimization of the design by iterative assessment of equipment insulation and arrester requirements.

5.4 Differences of withstand voltage selection in AC and DC systems

As described in IEC 60071-1, there are four main steps in the insulation co-ordination procedure which can be identified in Table 2.

Table 2 – Comparison of the insulation co-ordination procedure of AC and DC systems

Procedure	AC systems	DC systems
step 1:	determination of the representative overvoltages (U_{rp})	
step 2:	determination of the co-ordination withstand voltages (U_{cw})	
step 3:	determination of the required withstand voltages (U_{rw})	
step 4:	determination of the standard rated withstand voltages (U_w)	determination of the specified withstand voltages (U_w)

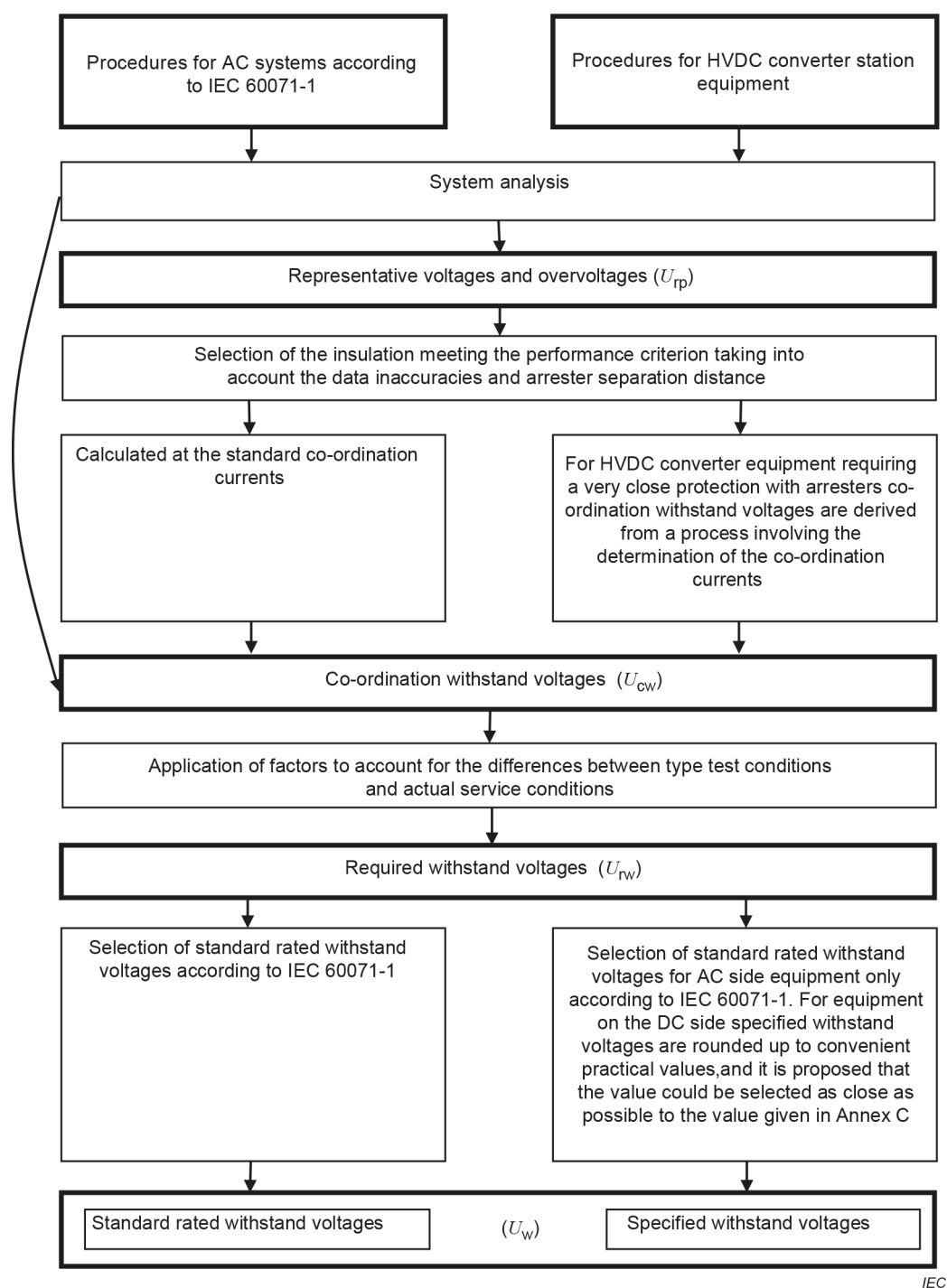


Figure 1 – Comparison of the selection between withstand voltages for AC equipment and for HVDC converter station equipment

Figure 1 is a flow chart showing the procedure in selecting the withstand voltages (U_w) in both AC (Figure 1 of IEC 60071-1:2019) and DC systems with the differences in the DC case being identified.

The individual steps involved in the selection process are detailed in IEC 60071-1 for the AC system application and in Clause 6 of this document for the DC system.

6 Design procedure of insulation co-ordination

6.1 General

Because of the essential differences between AC and DC systems leading to some deviations in the process of insulation co-ordination as discussed in 5.2, it is useful in Clause 6 to define clearly the design objectives to be achieved as a result of the co-ordination procedures described in 6.2 to 6.7. This applies to some extent to the AC side of the HVDC converter station but to a greater extent to the DC side, particularly because several valve groups are normally connected in series. The valves and other equipment entirely separate from earth are therefore arranged to be protected by means of appropriate surge arresters as illustrated in Figure A.1 and Figure A.2.

The first design objective is thus to make a suitable choice of the locations of various arresters based on all the available or assembled necessary system details, as follows:

- the DC converter scheme;
- the AC network;
- the DC and earth electrode lines and cables (if any);
- the AC side of the HVDC converter station.

The next important design objective is to plan and conduct studies for determining surge arrester requirements.

The main objective is the determination of the withstand voltages to achieve the desired reliability.

6.2 Arrester characteristics

At present, overvoltage protection of HVDC converter stations has been based exclusively on metal-oxide surge arresters without gaps (according to IEC 60099-4), therefore the insulation level of the HVDC system is directly determined by the characteristics and arrangement of the arrester. The actual arrangement of the arresters depends on the configuration of the HVDC converter station and the type of transmission circuit, Figure A.1, Figure A.2 and Figure A.3 show several possible arrester locations of HVDC converter stations. The basic criteria used however is that each voltage level and the equipment connected to it is adequately protected at a cost commensurate with the desired reliability and equipment withstand capability (see 3.21). Detailed description is given in the application guide.

6.3 Insulation characteristics

As in AC substations, there are two types of insulation used in HVDC systems, self-restoring, which applies to air, and non-self-restoring which applies to e.g. oil and paper. However, gases that may be used can fall under both types of insulation. Because the operation condition of equipment in DC system is more complex than that in AC system, in DC applications the composite effect of DC, AC and impulse (also polarity reversal) voltages shall be considered. The characteristics of the individual insulation are outside the scope of this document.

6.4 Determination of the representative overvoltages (U_{rp})

The representative overvoltage as defined in IEC 60071-1 is equal to the maximum overvoltage of each class of overvoltages, this general concept applies to both AC and DC systems, but a particular application of this concept for DC systems is to consider that representative overvoltages are equal to protection levels of arresters for directly protected equipment.

The representative overvoltages are determined by considering relevant faults and examining the results of the calculation to find out the representative type of overvoltage. Once the type of overvoltage has been determined, the peak value of the waveform chosen may be adjusted to take into consideration the duration and shape of the overvoltage as per IEC 60071-2:2018, Clause 2. This adjustment can be considered to be taken into account when applying factors to protective levels of arresters as per 6.6.

6.5 Determination of the co-ordination withstand voltages (U_{cw})

The determination of the co-ordination withstand voltages consists of determining the lowest values of the withstand voltages of the insulation meeting the performance criterion when subjected to the representative overvoltages under service conditions.

The insulation co-ordination procedure recommended in IEC 60071-1 implies the application of a co-ordination factor (K_c) to the representative overvoltages (U_{rp}) to obtain the co-ordination withstand voltages (U_{cw}), which means: $U_{cw} = K_c \times U_{rp}$ (refer to IEC 60071-1:2019, 5.3).

For equipment on the DC side, the deterministic method (refer to IEC 60071-2:2018, 5.3) is actually used so that, for such equipment, the deterministic co-ordination factor K_{cd} (refer to IEC 60071-2:2018, 5.3.3.1) which is used instead of K_c . The co-ordination factor K_{cd} applied to the representative overvoltages includes:

- allowance for limitations in modelling and in data for calculating the overvoltages, and for the co-ordination currents taking into account the strong non-linearity of the arrester characteristics;
- allowance for shape and duration of overvoltages.

For DC applications, if the calculated value of U_{rp} is the highest value for reasonable contingencies, the value of U_{cw} can be taken to be equal to U_{rp} .

For HVDC system AC side, simulations of overvoltage events combined with the simultaneous evaluation of the risk of failure, using the relevant insulation characteristics, permit the direct determination of the statistical co-ordination withstand voltages without the intermediate step of determining the representative overvoltages (see Figure 1).

6.6 Determination of the required withstand voltages (U_{rw})

The determination of the required withstand voltages of the insulation consists of converting the co-ordination withstand voltages to appropriate standard test conditions. This is accomplished by multiplying the co-ordination withstand voltages by factors which compensate the differences between the actual service conditions of the insulation and the standard reference conditions as per IEC 60060-1.

As with AC systems, the insulation of the equipment is classified into self-restoring insulation and non-self-restoring insulation according to IEC 60071-1. Self-restoring insulation consists primarily of air gaps and the external insulation of insulators while non-self-restoring insulation consists primarily of oil and cellulose dielectric materials as used in converter transformers and reactors. The valves have properties similar to self-restoring insulation material due to the fact that redundant units are provided to maintain the required withstand voltage even in the event of random failures of valve units within the valve between maintenance periods.

Arresters are used to protect equipment insulation as in AC applications; however, the arresters are not necessarily directly connected to earth, but are also connected directly across equipment elevated from earth potential. For valves, the arresters are located close to the valve in order to eliminate distance effects.

The essential difference compared with AC applications is that in HVDC applications the insulation is stressed by composite AC, DC and impulse voltages. Composite voltages require consideration of both resistive and capacitive voltage distribution and can result in high voltage stresses. These high-voltage stresses are, however, taken into account in the design and testing of the equipment.

The required withstand voltages (U_{rw}) for switching, lightning and steep-front are determined by multiplying the corresponding co-ordination withstand voltages (U_{cw}) with relevant factors. Based upon the withstand voltages, the test voltages for each equipment are determined according to the respective equipment standards. Referring to IEC 60071-1:2019, Figure 1, the required withstand voltages U_{rw} are obtained by applying to the co-ordination withstand voltage the altitude correction factor K_a for external insulation, and a safety factor K_s whose value depends on the type of insulation internal or external. The safety factor K_s includes:

- allowance for ageing of insulation;
- allowance for changes in arrester characteristics;
- allowance for dispersion in the product quality.

For HVDC converter stations, the deterministic method is applied and, for altitudes up to 1 000 m, experience has shown that the required withstand voltages of equipment can be obtained by applying a factor to the corresponding protective level of the arrester. Such a factor includes all the preceding ones discussed at the beginning of this subclause. Table 3 provides a set of indicative values for this factor which may be used as design objectives if not specified by the user or the relevant apparatus committees. In Table 3, all equipment is considered to be directly protected by an arrester. If this is not the case, e.g. for some of the equipment on the AC side, distance effect for fast and very-fast transients shall be taken into account and indicative ratios should be raised accordingly (refer to IEC 60071-1 and IEC 60071-2, co-ordination factor and co-ordination withstand voltages).

Table 3 – Indicative values of ratios of required impulse withstand voltage to impulse protective level

Type of equipment	Indicative values of required impulse withstand voltage/impulse protective level ^{a, c}		
	RSIWV/SIPL	RLIWV/LIPL	RSFIWV/STIPL ^b
AC switchyard – busbars, outdoor insulators, and other conventional equipment	1,20	1,25	1,25
AC filter components	1,15	1,25	1,25
Transformers (in oil)			
line side	1,20	1,25	1,25
valve side	1,15	1,20	1,25
Converter valves	1,15	1,15	1,20
DC valve hall equipment	1,15	1,15	1,25
DC switchyard equipment (including DC filters etc. and DC reactor)	1,15	1,20	1,25
^a Indicated values are stated for general design objectives only. Appropriate final ratios (higher or lower) can be selected according to the chosen performance criteria. ^b STIPL for LCC valve arresters. ^c Indicative ratios are on the basis that any equipment is directly protected with a surge arrester.			

6.7 Determination of the specified withstand voltage (U_w)

The specified withstand voltages are values equal to or higher than the required withstand voltages. For AC equipment, the specified withstand voltages correspond to standard values as stated in IEC 60071-1.

For HVDC equipment, the specified withstand voltages are rounded up to convenient practical values. It is proposed that the value could be selected as close as possible to the value given in Annex C.

7 Requirements for withstand voltage tests

Withstand voltage tests are performed to demonstrate, with suitable confidence, that the actual withstand voltage of the insulation is not lower than the corresponding specified withstand voltage.

Unless otherwise specified by the relevant apparatus committees, the following withstand voltage tests should be performed on HVDC system equipment:

- DC withstand voltage tests;
- impulse withstand voltage tests;
- power-frequency withstand voltage tests (unless otherwise specified by the relevant apparatus committees, only applicable for AC equipment).

In general, withstand voltage tests consist of dry tests performed in a standard situation (test arrangement specified by the relevant apparatus committees and the standard reference atmospheric conditions). However, for non-weather protected external insulation, the DC, power-frequency and switching impulse withstand voltage tests consist of wet tests performed under the conditions specified in IEC 60060-1.

The test procedures and evaluation criteria for withstand voltage tests are specified by the relevant apparatus committees.

8 Creepage distances

8.1 General

The creepage distance on the insulators is one of the factors that dictates the performance of external insulations at continuous operating voltages (AC, DC or mixed). When wetted, contamination on the insulators reduces their ability to support the operating voltages. Rain, snow, dew or fog are some of the weather conditions that can initiate this process. The withstand capability of contaminated insulators is also affected by other factors such as the shed profile, the orientation angle and the diameter of the insulators. In the case of bushings, DC current measuring devices, DC voltage dividers and other similar equipment, the internal construction of the core impacts both the internal and external voltage distribution. All these factors should be considered in determining the type and shape of the insulators suitable for the applications.

There have been cases of bushing flashover on various operating DC schemes where contamination deposits have been lightly wetted by dew, fog or rain. In addition, flashover have occurred due to unequal wetting of external insulators, such as horizontally mounted bushings, although this phenomenon is independent of the creepage distance.

For more details regarding unified creepage distance, readers can refer to the IEC 60815 series.

8.2 Base voltage for creepage distance

The base voltage across the insulation used together with the unified specific creepage distance is as follows:

- a) for the phase-to-earth insulation on the AC side of the converter (AC equipment): the highest continuous r.m.s. value of the phase-to-earth operating voltage;
- b) for the phase-to-phase insulation on the AC side of the converter (AC equipment): the highest r.m.s. value of the phase-to-phase operating voltage;
- c) for the insulation of the DC equipment subjected to a pure DC voltage: the maximum continuous DC voltage across the equipment;
- d) for the case of mixed voltage waveforms composed of DC fundamental and harmonics: the r.m.s. value of the voltage (e.g. valves and DC filter components);
- e) for the case of mixed voltage waveforms composed of AC fundamental frequency and harmonics: the highest r.m.s. value of the voltage (e.g. AC filter components).

The required creepage distances are defined based on IEC TS 60815-1:2008, 8.3, which, for the purposes of standardization, includes five classes of pollution characterizing site pollution severity (SPS).

8.3 Creepage distance for outdoor insulation under DC voltage

The trend in the industry for several years has been to use larger specific creepage distances in HVDC applications under polluted operating conditions of around 60 mm/kV for porcelain insulators. Several mitigation techniques have been used on existing HVDC systems to solve this problem. Although the application of silicone grease has been successful in avoiding flashovers, the frequency of reapplying the grease coating is high under polluted conditions. An alternative method involves the application of room temperature vulcanized rubber (RTV) on the surface of the insulators. Technological advances in this area have resulted in improved performance. The application of booster sheds has also been successful in avoiding bushing flashovers. The use of composite housings for bushings and other devices have been successfully applied in solving the flashovers in HVDC stations, even with smaller specific creepage distances. Operating experience of composite insulator and bushings shows that around 75 % of the creepage associated with an equivalent porcelain insulator is found to result in satisfactory performance. The hydrophobicity of composite material makes it suitable in applications involving unequal wetting as well. Recently, composite insulators and composite bushings have been satisfactorily used, especially, at 500 kV and above.

8.4 Creepage distance for indoor insulation under DC or mixed voltage

For an indoor clean and controlled (valve hall) environment with humidity control, a minimum specific creepage distance of about 14 mm/kV (based on the appropriate base voltage as calculated in 8.2) has been widely used and has not experienced any flashover. The creepage path, in any case, may not be an especially suitable parameter to define the converter valve internal insulation and the arcing distance may be more appropriate.

For indoor HVDC installations (indoor DC yard) with uncontrolled environment, satisfactory performance has been demonstrated for creepage distance between 20 mm/kV to 30 mm/kV under the assumption that condensation is avoided.

8.5 Creepage distance of AC insulators

In accordance with IEC TS 60815-2 for ceramic and glass insulators and IEC TS 60815-3 for polymer insulators, the user can:

- determine the reference unified specific creepage distance (RUSCD) from the site pollution severity (SPS) class (specified in IEC TS 60815-2:2008, Figure 1, and IEC TS 60815-3:2008, Figure 1);
- evaluate the suitability of different insulator profiles;

- determine the necessary USCD by applying corrections for insulator shape, size, position, etc. to the RUSCD;
- if required, determine the appropriate test methods and parameters to verify the performance of the selected insulators.

9 Clearances in air

Details concerning required clearances in air to assure a specified impulse voltage insulation for AC applications are presented in IEC 60071-1 and IEC 60071-2, while IEC 60071-1:2019, Annex B gives the correlations between impulse withstand voltages and minimum air clearances. The clearances in DC applications are based on insulation levels of equipment which are determined to provide the appropriate margin over the protective level of the arresters rather than on standard equipment levels. Annex C shows an example of possible insulation levels recommended for HVDC Grids, as well as examples of possible minimum clearance distances for rod – structure gap configurations and conductor – structure.

The procedure for calculation of minimum air clearances for different voltage shapes is well described in IEC 60071-2. The 50 % disruptive discharge voltage U_{50} used for air clearance calculation is to be determined in accordance with IEC 60071-2 from the following formula:

$$U_{50} = \frac{U_w}{(1 - N \times \sigma)} \quad (1)$$

where:

U_w is the specified withstand voltage (LIWL or SIWL) determined by insulation co-ordination studies, kV;

U_{50} is the 50 % disruptive discharge voltage for the appropriate voltage wave shape, kV;

σ is the standard deviation, predetermined by IEC 60071-2;

N is the number of the conventional deviations.

NOTE The number of standard deviations depends on the disruptive discharge probability of external insulation under switching and lightning considered in the design, according to IEC 60071-2:2018, Annex B. The normal practice for air clearance design is $N = 1,3$ for AC applications recommended as per IEC 60071-2, which corresponds to a withstand probability of 90 %. For outdoor clearances in HVDC, $N = 2$ has been recommended in [1]¹, corresponding to a withstand probability of 98 %.

The U_{50} value shall be based on the value of gap factor appropriate to the electrode shape.

In calculating U_w atmospheric correction factors shall be applied for non-standard atmospheric conditions in accordance with IEC 60060-1.

The minimum clearance is selected as the larger clearance determined from switching and lightning impulse withstand of equipment.

In HVDC applications, the presence of composite AC, DC and impulse voltages shall be considered [2].

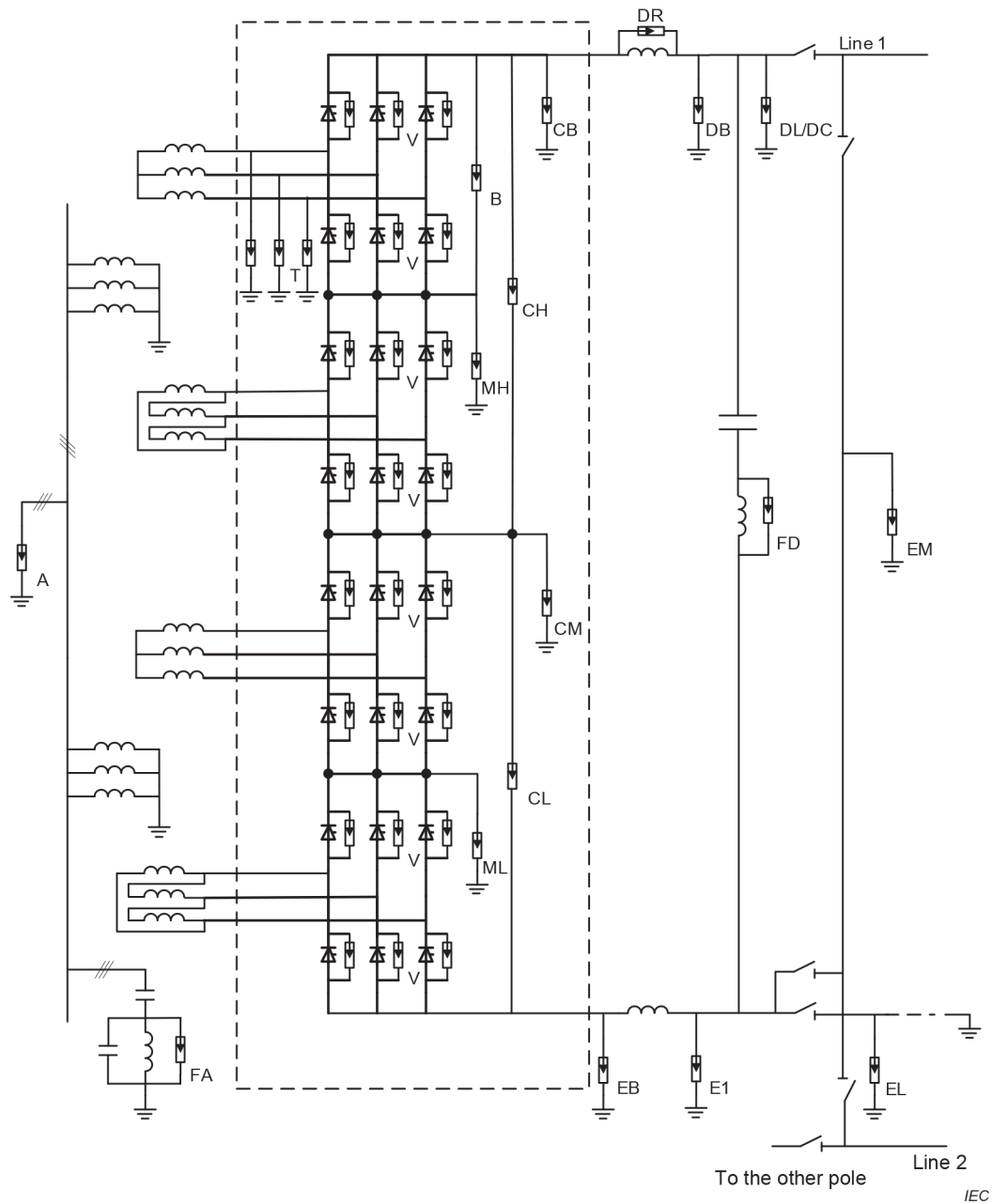
¹ Numbers in square brackets refer to the Bibliography.

Annex A (informative)

Typical HVDC converter station schemes

Figure A.1 shows the single line diagram of possible LCC HVDC converter station equipped with two 12-pulse converter bridges in series. Figure A.2 and Figure A.3 show the single line diagram of possible bipole and symmetrical monopole VSC converter station. Figure A.1 [1], Figure A.2 and Figure A.3 show possible arrester locations covered in this document. Some of these arresters may be redundant and could be excluded depending on the specific design.

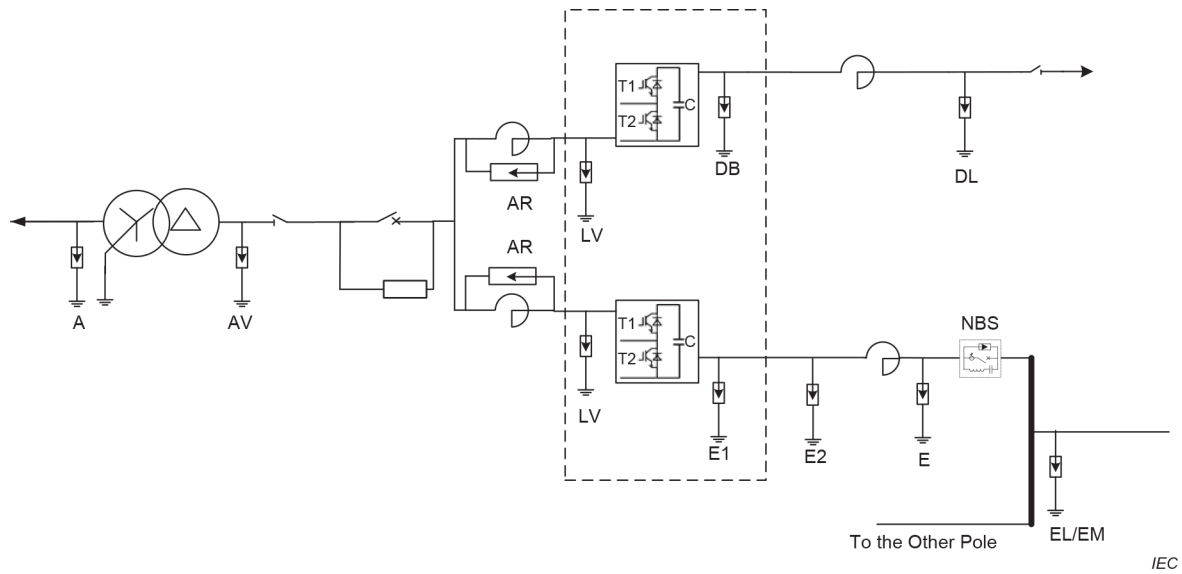
For the purpose of this document, Table A.1 presents the graphical symbols used in Annex A.



Key

A:	AC bus arrester	FA:	AC filter arrester
FD:	DC filter arrester	EL:	Electrode line arrester
E1:	DC neutral bus arrester	EM:	Metallic return arrester
EB:	Converter neutral arrester	B:	Bridge arrester (6-pulse)
V:	Valve arrester	CB:	Converter unit DC bus arrester
T:	Transformer valve winding arrester	DB:	DC bus arrester
DR:	Smoothing reactor arrester	DC:	DC cable arrester
DL:	DC line arrester	CM:	Arrester between converters unit
CL:	LV converter unit arrester	MH:	Mid-point bridge arrester (HV bridge)
CH:	HV converter unit arrester	ML:	Mid-point bridge arrester (LV bridge)

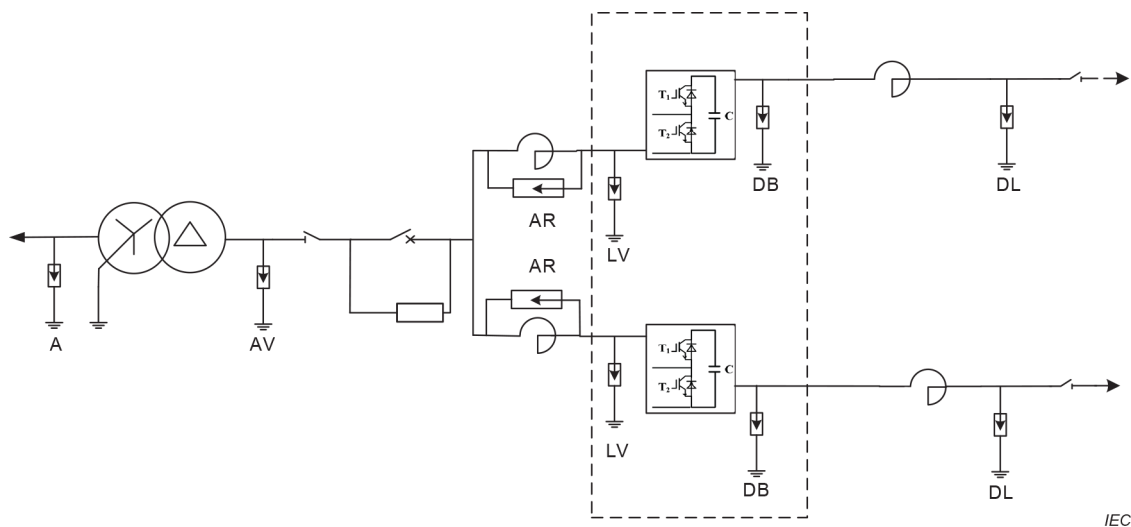
Figure A.1 – Possible arrester locations in one pole of bipole LCC converter station with 12-pulse converters in series



Key

- | | | | |
|----------|--|--------|---|
| A: | AC side arrester | LV: | Reactor valve side arrester (bridge arm) |
| AV: | Connecting transformer valve side arrester | DB: | DC bus arrester |
| AR: | Arrester between reactor terminals(bridge arm) | DL: | DC line arrester |
| E/E1/E2: | Neutral bus arrester | EL/EM: | Electrode line / Metallic return arrester |
| NBS: | Neutral bus switch | | |

Figure A.2 – Possible arrester locations in one pole of bipolar of VSC converter stations


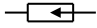

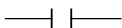



Key

- | | | | |
|-----|--|-----|--|
| A: | AC side arrester | LV: | Reactor valve side arrester (bridge arm) |
| AV: | Connecting transformer valve side arrester | DB: | DC bus arrester |
| AR: | Arrester between reactor terminals(bridge arm) | DL: | DC line arrester |
| NV: | Connecting transformer Neutral point arrester | | |

Figure A.3 – Possible arrester locations in symmetrical monopole VSC converter stations

Table A.1 – Symbol description

Symbol	Description
	Single valve (thyristor) IEC 60617-S00057:2001-07
	Arrester IEC 60617-S00373:2001-07
	Reactor IEC 60617-S00849:2001-07
	Capacitor IEC 60617-S00567:2001-07
	Earth IEC 60617-S00200:2001-07

Annex B (informative)

Example of air clearances calculation

B.1 Introductory remarks

This Annex B gives an example of the description and method of calculation air clearances for DC applications like HVDC. The procedure for calculation of air gap breakdown strength is already well described in IEC 60071-2. Therefore, the methods described there as well as the stated formulas are used in order to calculate the minimum air clearances for different voltage stresses. Thus, all limitations mentioned in IEC 60071-2 are also applicable within this Annex B. Nowadays, the air clearances in HVDC applications are mainly determined by the impulse stresses resulting from transient events like lightning strikes or ground faults within the system, rather than on steady state DC voltage stresses, the given examples are limited to the calculation of air clearances resulting from standard switching and lightning impulse stresses.

The presented examples are intended to be informative and tutorial and are very schematic. The purpose is to provide help to the user to estimate the size of the required air clearance. The examples mainly summarize the steps starting from a certain withstand voltage U_w of the insulation towards a minimum required air clearance d .

For the sake of simplicity, it is assumed that an atmospheric correction for non-standard atmospheric conditions in accordance with IEC 60060-1 is already applied on the withstand voltage U_w . This means that U_w is a value at standard reference atmosphere according to IEC 60060-1.

B.2 Calculated minimum air clearance for switching impulse stress

B.2.1 General

In order to calculate the minimum required air clearance for standard switching impulse voltage stresses, the 50 % disruptive discharge voltage U_{50} of self-restoring insulation at standard reference atmosphere is required. This voltage is calculated based on the specified withstand voltage U_w at standard reference atmosphere as described in Clause 9 (See Formula (1)).

According to IEC 60071-2:2018, Annex F, the minimum air clearance for standard switching impulses can be calculated by:

$$d = 0,6 \sqrt{\frac{U_{50}}{500 \times K}} \quad (\text{B.1})$$

where

- d is the calculated minimum air clearance to withstand the switching impulse stress, m;
- K is the switching impulse gap factor of the electrode configuration under investigation.

It is important to mention that all basic conditions and limitation as described in IEC 60071-2, are still valid and need to be considered when calculating the required minimum air clearance for a certain switching impulse stress.

B.2.2 Example calculation

Considering a required switching impulse withstand voltage of 1 050 kV and a conductor-plane arrangement with gap factor of 1,15, as recommended in IEC 60071-2:2018, Annex F:

$$\begin{aligned}
 \text{RSIWV} &= 1\,050 \text{ kV} \\
 \sigma &= 6 \% \\
 U_w &= 1\,050 \text{ kV} \\
 U_{50} &= \frac{U_w}{0,88} \text{ kV} = 1\,193 \text{ kV} \\
 d &= 0,6 \sqrt{\frac{U_{50}}{500 \times 1,15}} = 3,375 \text{ m}
 \end{aligned}$$

The calculated minimum air clearance for electrode configuration like conductor-plane with a gap factor of 1,15 shall not be smaller than 3,375 m in order to withstand a switching impulse stress of 1 050 kV with a design discharge probability of 2σ .

B.3 Calculated minimum air clearance for lightning impulse stress

B.3.1 General

In order to calculate the minimum required air clearance for standard lightning impulse voltage stresses, the 50 % disruptive discharge voltage U_{50} of self-restoring insulation at standard reference atmosphere is required. This voltage is calculated based on the specified withstand voltage U_w at standard reference atmosphere as described in Clause 9 (See Formula (1)).

According IEC 60071-2:2018, Annex F, the minimum air clearance for standard lightning impulses can be calculated by:

$$d = \frac{U_{50}}{(0,74 + 0,26 \times K) \times 530} \quad (\text{B.2})$$

where

d is the calculated minimum air clearance to withstand the lightning impulse stress, m;

K is the switching impulse gap factor of the electrode configuration under investigation.

It is important to mention that all basic conditions and limitation as described in IEC 60071-2:2018, Annex F are still valid and need to be considered when calculating the required minimum air clearance for a certain lightning impulse stress.

B.3.2 Example calculation

Considering a required lightning impulse withstand voltage of 1 425 kV and an electrode configuration like conductor-plane gap factor of 1,15.

$$RLIWV = 1\,425 \text{ kV}$$

$$\sigma = 3 \%$$

$$U_w = 1\,425 \text{ kV}$$

$$U_{50} = \frac{U_w}{0,94} \text{ kV} = 1\,516 \text{ kV}$$

$$d = \frac{U_{50}}{(0,74 + 0,26 \times K) \times 530} = 2,753 \text{ m}$$

The calculated minimum air clearance for electrode configuration type conductor – plane with a gap factor of 1,15 shall not be smaller than 2,753 m in order to withstand a lightning impulse stress of 1 425 kV with a designed withstand probability of 2σ .

Annex C (normative)

Example of typical DC voltages with possible insulation levels and corresponding air clearances

C.1 Introductory remarks

This Annex C gives a first proposal for a linking between recommended DC voltages, possible insulation levels as well as minimum air clearances. For DC applications and especially HVDC systems, no standard insulation levels are used in order to allow optimization of the overall system. This annex provides an example of DC voltages tentative to be used in HVDC Grids systems, with possible insulation levels and its corresponding clearances. The range of insulation levels provided are just an indication and shall be treated as informative guide for the user. The clearances and voltage levels values stated in this Annex C can change in the future depending on system solution and innovations available in the field.

The given examples of rated DC voltages, possible insulation levels and its corresponding air clearances are only applicable for outdoor installations in HVDC grids. Thus, indoor installations like the valve hall, reactor rooms or DC halls are explicitly excluded. Moreover, if reasonable and economical, other values for DC voltages, insulation levels and air clearances can be chosen.

Due to the fact that the current experience of steady state DC voltages and insulation stresses are mainly results from HVDC applications, the lowest recommended DC voltage is 200 kV. For lower DC voltages and UHV such as 800 kV and 1 100 kV, it is recommended to perform an insulation co-ordination according the guidelines of IEC 60071-1 and IEC 60071-2.

C.2 List of typical DC voltages and possible insulation levels

The following peak values, expressed in kV, are proposed as the specified impulse withstand voltages: 20, 40, 60, 75, 95, 125, 145, 170, 200, 250, 325, 380, 450, 550, 650, 750, 850, 950, 1 050, 1 175, 1 300, 1 425, 1 550, 1 675, 1 800, 1 950, 2 100, 2 250, 2 400, 2 550, 2 700, 2 900, 3 100.

Table C.1 shows the relationship of typical DC voltages and presumed switching and lightning impulse withstand voltages as example.

C.3 Example of presumed switching impulse insulation levels and minimum air clearances

Table C.2 provides examples of the minimum phase-to-earth clearance for different switching impulse withstand voltage levels. It is calculated based on the methods described in Clause B.2. The minimum air clearances are calculated for the electrode configuration Rod – Structure assuming a reference gap factor of 1,1 as well as for the Conductor – Structure configuration with reference gap factor 1,3. Standard reference atmosphere according IEC 60060-1 are considered.

The clearances may be lower if it has been proven on actual or similar configurations that the standard impulse withstand voltages are met. The distances are not applicable to equipment which has an impulse type test included in the specification, since mandatory clearance might hamper the design of the equipment, increase its cost and impede progress.

The clearances may also be lower, where it has been confirmed by operational experience and/or system design that overvoltages are lower than those indicated in the table or that the gap configuration is more favourable than that assumed for the recommended clearances.

Table C.1 – Typical DC voltages and switching/lightning impulse withstand voltage

Typical DC voltage kV	Presumed rated switching impulse withstand voltage kV (peak value)	Presumed rated lightning impulse withstand voltage kV (peak value)	
200	550	550	
		650	
250	550	550	
		650	
	650	650	
		750	
320	650	650	
		750	
	750	750	
		850	
	850	850	850
			950
400	850	850	
		950	
	950	950	
		1 050	
500/525 ^a	950	950	
		1 050	
	1 050	1 050	
		1 175	
	1 175	1 175	
		1 300	
600	1 175	1 175	
		1 300	
	1 300	1 300	
		1 425	
	1 425	1 425	
		1 550	
800	1 550	1 550	
		1 675	
	1 675	1 675	
		1 800	
	1 800	1 800	1 800
			1 950
The corresponding values shall be chosen depending on the specific system configuration.			
^a Either of 500 kV or 525 kV is applicable.			

Table C.2 – Correlation between presumed rated switching impulse withstand voltages and minimum phase-to-earth air clearances

Presumed rated switching impulse withstand voltage kV	Minimum phase-to-earth clearance			
	mm			
	$N = 1,3^b$		$N = 2$	
-	Rod – Structure	Conductor – Structure	Rod – Structure	Conductor – Structure
550	1 150	-	1 250	1 000
650	1 500	1 150	1 700	1 250
750	1 900	1 600	2 100	1 600
850	2 400	1 800	2 600	2 000
950	2 900	2 200	3 100	2 400
1 050	3 400	2 600	3 700	2 800
1 175	4 100	3 100	4 400	3 300
1 300	4 800	3 600	5 200	4 000
1 425	5 600	4 200	6 100	4 600
1 550	6 400	4 900	7 000	5 300
1 675	7 400 ^a	5 600 ^a	7 900	6 000
1 800	8 300 ^a	6 300 ^a	9 000	6 800
1 950	9 500 ^a	7 200 ^a	10 200	7 800

^a Tentative values still under consideration.

^b Values have been rounded to be in agreement with IEC 60071-1.

C.4 Example of presumed lightning impulse insulation levels and minimum air clearances

Table C.3 provides examples of the minimum phase-to-earth clearance for different lightning impulse withstand voltage levels. It is calculated based on the methods described in Clause B.3. The minimum air clearances are calculated for the electrode configuration Rod – Structure assuming a reference gap factor of 1,1 as well as for the Conductor – Structure configuration with reference gap factor 1,3. Standard reference atmosphere according IEC 60060-1 are considered.

The clearances may be lower if it has been proven on actual or similar configurations that the standard impulse withstand voltages are met. The distances are not applicable to equipment which has an impulse type test included in the specification, since mandatory clearance might hamper the design of the equipment, increase its cost and impede progress.

The clearances may also be lower, where it has been confirmed by operational experience and/or system design that overvoltages are lower than those indicated in the table or that the gap configuration is more favourable than that assumed for the recommended clearances.

C.5 Possible/Presumed specified DC withstand voltages

C.5.1 General

In order to further guide the standardization of insulation level, the recommended values of insulation withstand voltages are given in C.5.2, C.5.3 for information.

C.5.2 Specified DC withstand voltages

According to the current practical situation of HVDC project, it is proposed the application of 1,5 times the nominal voltage of DC system (U_n) to obtain the specified DC withstand voltage (U_w), which means: $U_w = 1,5 \times U_n$, if not specified by the relevant apparatus committees.

C.5.3 List of specified power frequency withstand voltages

For the equipment installed in AC side of HVDC system, the r.m.s. values shall be taken from IEC 60071-1:2019, 5.6.

Table C.3 – Correlation between presumed rated lightning impulse withstand voltages and minimum phase-to-earth air clearances

Presumed rated lightning impulse withstand voltage kV	Minimum phase-to-earth clearance			
	mm			
	$N = 1,3^a$		$N = 2$	
-	Rod – Structure	Conductor – Structure	Rod – Structure	Conductor – Structure
550	1 100	-	1 100	-
650	1 300	-	1 300	-
750	1 500	-	1 500	-
850	1 700	1 600	1 700	1 600
950	1 900	1 700	1 900	1 800
1 050	2 100	1 900	2 100	2 000
1 175	2 350	2 200	2 300	2 200
1 300	2 600	2 400	2 600	2 500
1 425	2 850	2 600	2 800	2 700
1 550	3 100	2 900	3 100	2900
1 675	3 350	3 100	3 300	3 100
1 800	3 600	3 300	3 600	3 400
1 950	3 900	3 600	3 900	3 700
2 100	4 200	3 900	4 100	3 900

^a Values have been rounded to be in agreement with IEC 60071-1.

Annex D (informative)

Typical arrester characteristics

Figure D.1 [1] presents a typical gapless metal oxide arrester characteristics used in insulation co-ordination studies. The x-axis represent the co-ordinating current in amperes and the y-axis represents the protective voltage in p.u. of the 10 kA fast-front protective value.

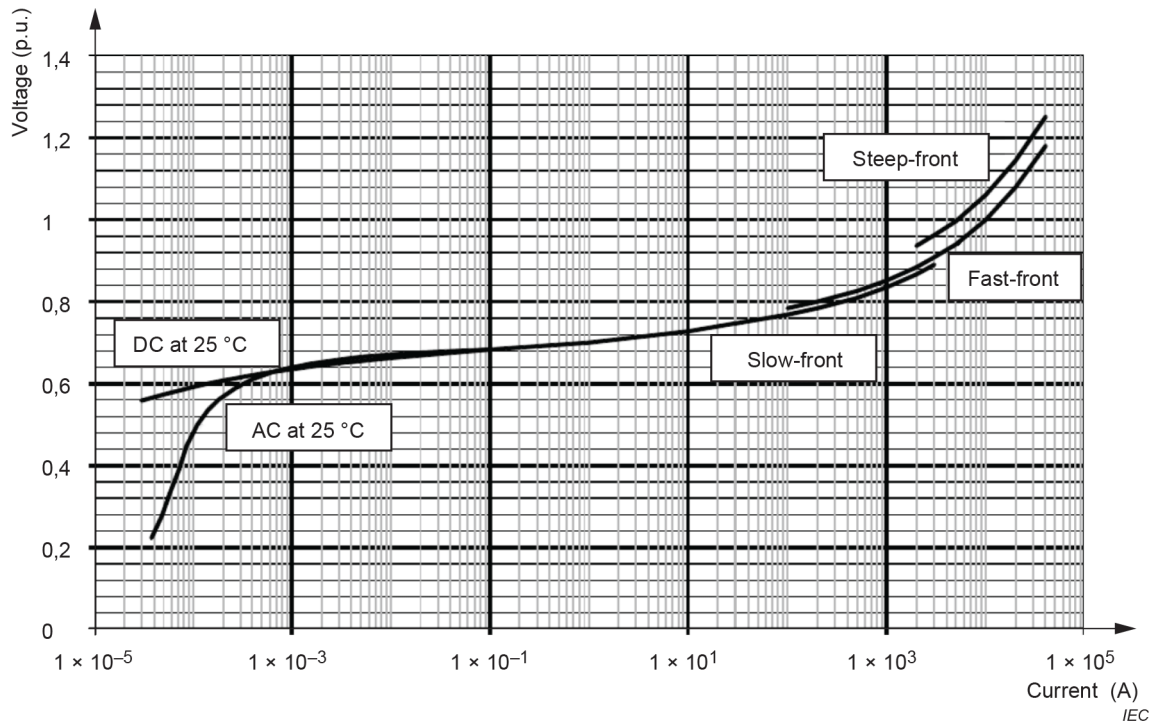


Figure D.1 – Typical arrester V-I characteristics

Annex E (informative)

The Correlation of clauses between IEC 60071-11 and IEC 60071-5:2014

The Correlation of clauses between IEC 60071-11 and IEC 60071-5:2014 are as follows:

IEC 60071-11	IEC 60071-5:2014
1 Scope	1
2 Normative references	2
3 Terms and definitions	3
4 Symbols and abbreviations	4
4.1 General	4.1
4.2 Subscripts	4.2
4.3 Letter symbols	4.3
4.4 Abbreviations	4.4
5 Principles of insulation co-ordination	6
5.1 General	6.1
5.2 Essential differences between AC and DC systems	6.2
5.3 Insulation co-ordination procedure	6.3
5.4 Differences of withstand voltage selection in AC and DC systems	6.4
6 Design procedure of insulation co-ordination	9
6.1 General	9.1
6.2 Arrester characteristics	8.1
6.3 Insulation characteristics	9.3
6.4 Determination of the representative overvoltages (U_{rp})	9.4
6.5 Determination of the co-ordination withstand voltages (U_{cw})	9.5
6.6 Determination of the required withstand voltages (U_{rw})	9.6
6.7 Determination of the specified withstand voltage (U_w)	9.7
7 Requirements for withstand voltage tests	-
8 Creepage distances	11
8.1 General	11.1
8.2 Base voltage for creepage distance	11.2
8.3 Creepage distance for outdoor insulation under DC voltage	11.3
8.4 Creepage distance for indoor insulation under DC or mixed voltage	11.4
8.5 Creepage distance of AC insulators	11.5
9 Clearances in air	12
Annex A (informative) Typical HVDC converter station arrester protection schemes	
Annex B (informative) Example of air clearances calculation	
Annex C (normative) Example of typical DC voltages with possible insulation levels and corresponding air clearances	
Annex D (informative) Typical arrester characteristics	Annex D
Annex E (informative) The Correlation of clauses between IEC 60071-11 and IEC 60071-5:2014	

Bibliography

- [1] IEC 60071-5:2014, *Insulation co-ordination – Part 5: Procedures for high-voltage direct current (HVDC) converter stations*
- [2] IEC 60700-1:2015, *Thyristor valves for high voltage direct current (HVDC) power transmission – Part 1: Electrical testing*
- [3] IEC 60633, *High-voltage direct current (HVDC) transmission – Vocabulary*
- [4] EPRI. Handbook for insulation coordination of high-voltage DC converter stations. EPRI Report No. EL-5414. Palo Alto, CA: EPRI, 1987
- [5] DIN VDE V 0210-9 C. Neumann, A. Wasserrab, G. Balzer, B. Rusek, S. Steevens, K. Kleinekorte “Aspects of insulation coordination for DC links using hybrid lines” Paper 119, CIGRE-IEC Colloquium 2016, Montreal
- [6] EPRI. Insulation coordination (chapter 11). In: High-voltage direct current handbook. EPRI Publication no. TR-104166. Palo Alto, CA: EPRI, 1994
- [7] Melvold, D. DC arrester test philosophies on recent HVDC projects as used by various suppliers. IEEE Transactions on Power Delivery. 1991, 6(2), 672-679
- [8] IEEE. Bibliography on overvoltage protection and insulation co-ordination of HVDC converter stations, 1979-1989. IEEE Transactions on Power Delivery. 1991, 6(2), 744-753
- [9] CIGRE. Guidelines for the application of metal-oxide arresters without gaps for HVDC converter stations. CIGRE 33/14.05, publication 34. Paris: CIGRE, 1989
- [10] Elahi, H. et al. Insulation coordination process for HVDC converter stations: preliminary and final designs. IEEE Transactions on Power Delivery. 1989, 4(2), 1037-1048
- [11] CIGRE. Application guide for insulation coordination and arrester protection of HVDC converter stations. 33.05, Electra No. 96. Paris: CIGRE, 1984, 101-156
- [12] EPRI. Handbook for insulation coordination of high-voltage DC converter stations. EPRI Report No. EL-5414. Palo Alto, CA: EPRI, 1987
- [13] IEEE. Insulation Coordination Designs of HVDC Converter Installations. IEEE Transactions on Power Apparatus and Systems. 1979, PAS-98(5), 1761-1776
- [14] IEEE. Modeling guidelines for fast-front transients. IEEE Transactions on Power Delivery. 1996, 11(1), 493–506
- [15] CIGRE. Guidelines for representation of network elements when calculating transients. CIGRE technical brochure No. 39. Paris: CIGRE
- [16] CIGRE. Guide to procedures for estimating the lightning performance of transmission lines. CIGRE technical brochure No. 63. Paris: CIGRE, 1991
- [17] Jonsson, T. and Björklund P-E, Capacitor commutated converters for HVDC. SPTPE 02-03-0366 IEEE/KTH. Stockholm Power Tech. Conference, June 1995
- [18] Sadek, K. et al. Capacitor commutated converter circuit configurations for d.c. transmission. IEEE Transactions on Power Delivery. 1998, 13(4), 1257-1264

- [19] EPRI. Transmission Line Reference Book, 345 kV and Above. 2nd ed.. Palo Alto, CA:EPRI, 1982
 - [20] IEC 60099-5:2018, *Surge arresters – Part 5: Selection and application recommendations*
 - [21] IEC 60505:2011, *Evaluation and qualification of electrical insulation systems*
 - [22] IEC 60721-3-0:2020, *Classification of environmental conditions– Part 3-0: Classification of groups of environmental parameters and their severities – Introduction*
 - [23] IEC TR 60919-2:2008, *Performance of high-voltage direct current (HVDC) systems with line-commutated converters – Part 2: Faults and switching*
 - [24] Canadian Electrical Association. Performance of Metal Oxide Gapless Surge Arresters for HVDC Systems: Phase I. Report 214 T 565, September 1990
 - [25] IEC TS 60815-4:2016, *Selection and dimensioning of high-voltage insulators intended for use in polluted conditions – Part 4: Insulators for d.c. systems*
 - [26] IEC TS 60815 (all parts), *Selection and dimensioning of high-voltage insulators intended for use in polluted conditions*
-

SOMMAIRE

AVANT-PROPOS	42
INTRODUCTION.....	44
1 Domaine d'application	45
2 Références normatives	45
3 Termes et définitions	46
4 Symboles et abréviations.....	52
4.1 Généralités	52
4.2 Indices	52
4.3 Symboles littéraux	53
4.4 Abréviations.....	53
5 Principes relatifs à la coordination de l'isolement.....	54
5.1 Généralités	54
5.2 Différences fondamentales entre les réseaux à courant alternatif et à courant continu	54
5.3 Procédure de coordination de l'isolement.....	55
5.4 Différences relatives au choix de la tension de tenue dans les réseaux à courant alternatif et à courant continu	55
6 Procédure de conception de la coordination de l'isolement	57
6.1 Généralités	57
6.2 Caractéristiques des parafoudres.....	57
6.3 Caractéristiques de l'isolation	58
6.4 Détermination des surtensions représentatives (U_{rp})	58
6.5 Détermination des tensions de tenue de coordination (U_{cw})	58
6.6 Détermination des tensions de tenue exigées (U_{rw}).....	59
6.7 Détermination de la tension de tenue spécifiée (U_w).....	60
7 Exigences relatives aux essais de tension de tenue	60
8 Lignes de fuite.....	61
8.1 Généralités	61
8.2 Tension de base pour la ligne de fuite.....	61
8.3 Ligne de fuite pour l'isolation extérieure sous tension en courant continu.....	61
8.4 Ligne de fuite pour l'isolation intérieure sous tension en courant continu ou tension mixte	62
8.5 Ligne de fuite des isolateurs en courant alternatif	62
9 Distances d'isolement dans l'air.....	62
B.1 Remarques préliminaires	67
B.2 Distance minimale calculée d'isolement dans l'air pour la contrainte d'un choc de manœuvre	67
B.2.1 Généralités	67
B.2.2 Exemple de calcul.....	68
B.3 Distance minimale calculée d'isolement dans l'air pour la contrainte d'un choc de foudre.....	68
B.3.1 Généralités	68
B.3.2 Exemple de calcul.....	69
C.1 Remarques préliminaires	70
C.2 Liste des tensions en courant continu types et des niveaux d'isolement possibles	70

C.3 Exemples de niveaux d'isolement et de distances minimales d'isolement dans l'air présumés contre les chocs de manœuvre	70
C.4 Exemples de niveaux d'isolement et de distances minimales d'isolement dans l'air présumés contre les chocs de foudre	72
C.5 Tensions de tenue spécifiées possibles/présumées en courant continu	73
C.5.1 Généralités	73
C.5.2 Tensions de tenue spécifiées en courant continu	73
C.5.3 Liste des tensions de tenue à fréquence industrielle spécifiées.....	73
Bibliographie.....	76
Figure 1 – Comparaison des tensions de tenue pour le matériel à courant alternatif et le matériel du poste de conversion CCHT	56
Figure A.1 – Emplacements possibles des parafoudres dans un pôle de poste de conversion commuté par le réseau bipolaire avec des convertisseurs dodécaphasés montés en série	65
Figure A.2 – Emplacements possibles des parafoudres dans un pôle de postes de conversion à source de tension bipolaires.....	65
Figure A.3 – Emplacements possibles des parafoudres dans des postes de conversion à source de tension monopolaires symétriques	66
Figure D.1 – Caractéristiques tension-intensité d'un parafoudre.....	74
Tableau 1 – Classes et formes de surtensions, formes de tensions normalisées et essais de tension de tenue normalisée	47
Tableau 2 – Comparaison de la procédure de coordination de l'isolement pour les réseaux à courant alternatif et à courant continu.....	55
Tableau 3 – Valeurs indicatives des rapports entre la tension de tenue exigée au choc et le niveau de protection aux chocs	60
Tableau A.1 – Description des symboles.....	66
Tableau C.1 – Tensions en courant continu types et tension de tenue aux chocs de manœuvre/foudre	71
Tableau C.2 – Correspondance entre les tensions de tenue assignées présumées au choc de manœuvre et les distances minimales d'isolement dans l'air phase-terre	72
Tableau C.3 – Correspondance entre les tensions de tenue assignées présumées au choc de foudre et les distances minimales d'isolement dans l'air phase-terre.....	73

COMMISSION ÉLECTROTECHNIQUE INTERNATIONALE

COORDINATION DE L'ISOLEMENT –

Partie 11: Définitions, principes et règles relatifs au réseau CCHT

AVANT-PROPOS

- 1) La Commission Electrotechnique Internationale (IEC) est une organisation mondiale de normalisation composée de l'ensemble des comités électrotechniques nationaux (Comités nationaux de l'IEC). L'IEC a pour objet de favoriser la coopération internationale pour toutes les questions de normalisation dans les domaines de l'électricité et de l'électronique. A cet effet, l'IEC – entre autres activités – publie des Normes internationales, des Spécifications techniques, des Rapports techniques, des Spécifications accessibles au public (PAS) et des Guides (ci-après dénommés "Publication(s) de l'IEC"). Leur élaboration est confiée à des comités d'études, aux travaux desquels tout Comité national intéressé par le sujet traité peut participer. Les organisations internationales, gouvernementales et non gouvernementales, en liaison avec l'IEC, participent également aux travaux. L'IEC collabore étroitement avec l'Organisation Internationale de Normalisation (ISO), selon des conditions fixées par accord entre les deux organisations.
- 2) Les décisions ou accords officiels de l'IEC concernant les questions techniques représentent, dans la mesure du possible, un accord international sur les sujets étudiés, étant donné que les Comités nationaux de l'IEC intéressés sont représentés dans chaque comité d'études.
- 3) Les Publications de l'IEC se présentent sous la forme de recommandations internationales et sont agréées comme telles par les Comités nationaux de l'IEC. Tous les efforts raisonnables sont entrepris afin que l'IEC s'assure de l'exactitude du contenu technique de ses publications; l'IEC ne peut pas être tenue responsable de l'éventuelle mauvaise utilisation ou interprétation qui en est faite par un quelconque utilisateur final.
- 4) Dans le but d'encourager l'uniformité internationale, les Comités nationaux de l'IEC s'engagent, dans toute la mesure possible, à appliquer de façon transparente les Publications de l'IEC dans leurs publications nationales et régionales. Toutes divergences entre toutes Publications de l'IEC et toutes publications nationales ou régionales correspondantes doivent être indiquées en termes clairs dans ces dernières.
- 5) L'IEC elle-même ne fournit aucune attestation de conformité. Des organismes de certification indépendants fournissent des services d'évaluation de conformité et, dans certains secteurs, accèdent aux marques de conformité de l'IEC. L'IEC n'est responsable d'aucun des services effectués par les organismes de certification indépendants.
- 6) Tous les utilisateurs doivent s'assurer qu'ils sont en possession de la dernière édition de cette publication.
- 7) Aucune responsabilité ne doit être imputée à l'IEC, à ses administrateurs, employés, auxiliaires ou mandataires, y compris ses experts particuliers et les membres de ses comités d'études et des Comités nationaux de l'IEC, pour tout préjudice causé en cas de dommages corporels et matériels, ou de tout autre dommage de quelque nature que ce soit, directe ou indirecte, ou pour supporter les coûts (y compris les frais de justice) et les dépenses découlant de la publication ou de l'utilisation de cette Publication de l'IEC ou de toute autre Publication de l'IEC, ou au crédit qui lui est accordé.
- 8) L'attention est attirée sur les références normatives citées dans cette publication. L'utilisation de publications référencées est obligatoire pour une application correcte de la présente publication.
- 9) L'attention est attirée sur le fait que certains des éléments de la présente Publication de l'IEC peuvent faire l'objet de droits de brevet. L'IEC ne saurait être tenue pour responsable de ne pas avoir identifié de tels droits de brevets.

L'IEC 60071-11 a été établie par le comité d'études 99 de l'IEC: Installations électriques de tension supérieure à 1,0 kV en courant alternatif et 1,5 kV en courant continu: Coordination de l'isolement et conception. Il s'agit d'une Norme internationale.

Cette Norme internationale remplace, conjointement avec l'IEC 60071-12, l'IEC 60071-5 parue en 2014.

Cette édition inclut les modifications techniques majeures suivantes par rapport à l'IEC 60071-5:2014:

- a) la présente norme s'applique aux réseaux CCHT LCC et VSC, tandis que l'IEC 60071-5 concernait uniquement le réseau CCHT LCC;
- b) l'Annexe C (normative) fournit la tension de tenue spécifiée recommandée (LI et SI);
- c) l'Annexe C (normative) fournit les distances minimales d'isolement dans l'air;

d) l'Annexe E indique la correspondance entre les articles/paragraphes de la présente norme et ceux de l'IEC 60071-5:2014.

Le texte de cette Norme internationale est issu des documents suivants:

Projet	Rapport de vote
99/374/FDIS	99/394/RVD

Le rapport de vote indiqué dans le tableau ci-dessus donne toute information sur le vote ayant abouti à son approbation.

La langue employée pour l'élaboration de cette Norme internationale est l'anglais.

Ce document a été rédigé selon les Directives ISO/IEC, Partie 2, il a été développé selon les Directives ISO/IEC, Partie 1 et les Directives ISO/IEC, Supplément IEC, disponibles sous www.iec.ch/members_experts/refdocs. Les principaux types de documents développés par l'IEC sont décrits plus en détail sous www.iec.ch/standardsdev/publications.

Une liste de toutes les parties de la série IEC 60071, publiées sous le titre général *Coordination de l'isolement*, se trouve sur le site web de l'IEC.

Le comité a décidé que le contenu de ce document ne sera pas modifié avant la date de stabilité indiquée sur le site web de l'IEC sous webstore.iec.ch dans les données relatives au document recherché. A cette date, le document sera

- reconduit,
- supprimé,
- remplacé par une édition révisée, ou
- amendé.

Le contenu du corrigendum 1 (2023-11) a été pris en considération dans cet exemplaire.

INTRODUCTION

A l'heure où la demande en énergie électrique augmente, de plus en plus de projets CCHT voient le jour, avec une tension jusqu'à présent inférieure ou égale à ± 1 100 kV. Toutefois, le degré de normalisation de la tension nominale, du courant nominal et des niveaux d'isolement des réseaux CCHT n'est pas encore équivalent à celui des réseaux à courant alternatif.

En octobre 2016, le comité d'études 28 de l'IEC (Coordination de l'isolement) a établi le groupe ad hoc 8 (AHG 8) afin d'élaborer la feuille de route relative aux normes de coordination de l'isolement des réseaux CCHT.

Après la fusion en 2017 du comité d'études 28 et du comité d'études 99 de l'IEC, le groupe de travail mixte 13 (JWG 13) a été établi par le comité d'études 99 et le comité d'études 115 de l'IEC, et a été chargé d'élaborer, conformément à la feuille de route approuvée, la série suivante de normes relatives au réseau CCHT:

- a) Partie 11: Définitions, principes et règles relatifs au réseau CCHT;
- b) Partie 12: Lignes directrices en matière d'application pour stations de conversion à courant continu haute tension (CCHT) munies de convertisseurs commutés par le réseau (LCC);
- c) Partie 13: Lignes directrices en matière d'application pour stations de conversion à courant continu haute tension (CCHT) munies de convertisseurs commutés par le réseau (VSC);
- d) Part 14: Insulation co-ordination for AC/DC filters (disponible en anglais seulement);
- e) Part 15: Insulation co-ordination for DC transmission lines (disponible en anglais seulement).

COORDINATION DE L'ISOLEMENT –

Partie 11: Définitions, principes et règles relatifs au réseau CCHT

1 Domaine d'application

La présente partie de l'IEC 60071 s'applique aux réseaux à courant continu à haute tension (CCHT). Elle spécifie les principes relatifs aux procédures de détermination des tensions de tenue spécifiées, de la ligne de fuite et des distances d'isolement dans l'air pour l'équipement et l'installation de ces réseaux.

Le présent document donne les principes de coordination de l'isolement relatifs aux réseaux CCHT qui comportent des convertisseurs commutés par le réseau (LCC) et des convertisseurs à source de tension (VSC). Les principes fondamentaux du présent document s'appliquent également à d'autres configurations spécifiques de LCC, comme le convertisseur à condensateur commuté (CCC), le convertisseur à condensateurs en série contrôlés (CCSC), etc.

Le présent document s'applique à la coordination de l'isolement du matériel raccordé entre la barre à courant alternatif du convertisseur (y compris les filtres d'harmoniques côté courant alternatif, le transformateur convertisseur, les disjoncteurs) et le côté courant continu. Il traite également des terminaisons de lignes et de câbles, en raison de leur incidence sur la coordination de l'isolement du matériel des postes de conversion.

Le présent document ne s'applique qu'aux applications CCHT dans les réseaux d'alimentation, et non au matériel de conversion à usage industriel. Les principes et les recommandations ne sont fournis que dans le cadre de la coordination de l'isolement. Les exigences relatives à la sécurité des personnes ne sont pas traitées dans le présent document.

2 Références normatives

Les documents suivants sont cités dans le texte de sorte qu'ils constituent, pour tout ou partie de leur contenu, des exigences du présent document. Pour les références datées, seule l'édition citée s'applique. Pour les références non datées, la dernière édition du document de référence s'applique (y compris les éventuels amendements).

IEC 60060-1, *Techniques des essais à haute tension – Partie 1: Définitions et exigences générales*

IEC 60071-1:2019, *Coordination de l'isolement – Partie 1: Définitions, principes et règles*

IEC 60071-2:2018, *Coordination de l'isolement – Partie 2: Lignes directrices en matière d'application*

IEC 60099-4:2014, *Parafoudres – Partie 4: Parafoudres à oxyde métallique sans éclateurs pour réseaux à courant alternatif*

IEC TS 60815-1:2008, *Selection and dimensioning of high-voltage insulators intended for use in polluted conditions – Part 1: Definitions, information and general principles* (disponible en anglais seulement)

IEC TS 60815-2:2008, *Selection and dimensioning of high-voltage insulators intended for use in polluted conditions – Part 2: Ceramic and glass insulators for a.c. systems* (disponible en anglais seulement)

IEC TS 60815-3:2008, *Selection and dimensioning of high-voltage insulators intended for use in polluted conditions – Part 3: Polymer insulators for a.c. systems* (disponible en anglais seulement)

3 Termes et définitions

Pour les besoins du présent document, les termes et définitions suivants s'appliquent.

L'ISO et l'IEC tiennent à jour des bases de données terminologiques destinées à être utilisées en normalisation, consultables aux adresses suivantes:

- IEC Electropedia: disponible à l'adresse <http://www.electropedia.org/>
- ISO Online browsing platform: disponible à l'adresse <http://www.iso.org/obp>

NOTE La plupart des définitions suivantes font référence aux concepts de coordination de l'isolement (IEC 60071-1) ou aux paramètres des parafoudres (IEC 60099-4).

3.1

coordination de l'isolement

sélection de la tenue diélectrique des matériels, en fonction des tensions de service et des surtensions qui peuvent apparaître dans le réseau auquel ces matériels sont destinés et compte tenu de l'environnement en service et des caractéristiques des dispositifs de prévention et de protection disponibles

[SOURCE: IEC 60071-1:2019, 3.1, modifié – La note à l'article a été supprimée.]

3.2

tension nominale en courant continu

valeur moyenne de la tension en courant continu exigée pour transmettre la puissance nominale au courant nominal

3.3

tension la plus élevée en courant continu

valeur la plus élevée de la tension en courant continu pour laquelle le matériel et le réseau ont été conçus en vue de fonctionner de manière continue, en fonction de leur isolement et d'autres caractéristiques

3.4

monopôle symétrique

convertisseur CCHT avec des sorties de tension en courant continu symétriques aux deux bornes de pôle

Note 1 à l'article: Un monopôle symétrique ne s'applique généralement qu'aux réseaux CCHT VSC.

Note 2 à l'article: Le terme "monopole symétrique" est utilisé même en présence de deux polarités avec des tensions en courant continu, un seul convertisseur ne pouvant fournir la redondance normalement induite par le terme "bipôle".

Note 3 à l'article: Lors de l'exploitation du monopôle symétrique, une surtension persistante apparaît au niveau du pôle sain lorsqu'un défaut survient au niveau du pôle opposé.

3.5

monopôle asymétrique

pour le convertisseur CCHT avec des sorties de tension en courant continu asymétriques aux deux bornes, une borne est généralement reliée à la terre

3.6 bipôle

en général, deux monopôles asymétriques forment un circuit à courant continu bipolaire

3.7 surtension

tension dont la valeur dépasse la tension la plus élevée correspondante en régime établi du réseau

Note 1 à l'article: Le Tableau 1 fournit (selon l'IEC 60071-1) une classification des tensions définies du 3.7.1 au 3.7.2.3.

Tableau 1 – Classes et formes de surtensions, formes de tensions normalisées et essais de tension de tenue normalisée

Classe	Basse fréquence			Transitoire		
	Permanente		Temporaire	A front lent	A front rapide	A front très rapide
Formes de tensions ou de surtensions						
Plage des formes de tensions ou de surtensions	$T_t \geq 3\,600\text{ s}$ $1/T_t = f_1 = 0\text{ Hz}$ $f_2 < 2\,500\text{ Hz}$	$f = 50\text{ Hz ou } 60\text{ Hz}$ $T_t \geq 3\,600\text{ s}$	$10\text{ Hz} < f < 500\text{ Hz}$ $0,02\text{ s} \leq T_t \leq 3\,600\text{ s}$	$20\text{ }\mu\text{s} < T_p \leq 5\,000\text{ }\mu\text{s}$ $T_2 \leq 20\text{ ms}$	$0,1\text{ }\mu\text{s} < T_1 \leq 20\text{ }\mu\text{s}$ $T_2 \leq 300\text{ }\mu\text{s}$	$T_f \leq 100\text{ ns}$ $0,3\text{ MHz} < f_1 < 100\text{ MHz}$ $30\text{ kHz} < f_2 < 300\text{ kHz}$
Formes de tensions normalisées						a
Essai de tension de tenue normalisée	Essai de tension en courant continu ^a	a	Essai de courte durée à fréquence industrielle	Essai au choc de manœuvre	Essai au choc de foudre	a

^a A spécifier par les comités de produit concernés.

^b Sauf spécification contraire des comités d'études concernés, il convient que les formes de tensions normalisées soient conformes à l'IEC 60060-1.

3.7.1 surtension temporaire

surtension de durée relativement longue (entre 0,02 s et 3 600 s selon l'IEC 60071-1)

Note 1 à l'article: La surtension peut ne pas être amortie ou être faiblement amortie.

3.7.2

surtension transitoire

surtension de courte durée, ne dépassant pas quelques millisecondes, oscillatoire ou non, généralement fortement amortie

[SOURCE: IEC 60071-1: 2019, 3.17.2, modifié – La note à l'article a été supprimée.]

3.7.2.1

surtension à front lent

surtension transitoire, généralement unidirectionnelle, de durée jusqu'à la valeur de crête $20 \mu\text{s} < T_p \leq 5\,000 \mu\text{s}$, et de durée de queue $T_2 \leq 20 \text{ ms}$

Note 1 à l'article: Pour les besoins de la coordination de l'isolement, les surtensions à front lent sont classées selon leur forme, quelle que soit leur origine. Même si des écarts significatifs par rapport aux formes normalisées sont observés sur les réseaux réels, la présente norme considère qu'il est dans la plupart des cas suffisant de décrire de telles surtensions en fonction de leur classification et de leur valeur de crête.

3.7.2.2

surtension à front rapide

surtension en un point donné d'un réseau, due à une décharge de foudre ou à une autre cause, dont la forme peut être considérée, dans le cadre de la coordination de l'isolement, comme étant similaire à celle du choc normalisé (IEC 60060-1) utilisé pour les essais au choc de foudre

Note 1 à l'article: La surtension à front rapide est définie comme une surtension transitoire, généralement unidirectionnelle, de durée jusqu'à la valeur de crête $0,1 \mu\text{s} < T_1 \leq 20 \mu\text{s}$, et de durée de queue $T_2 \leq 300 \mu\text{s}$, en 3.17.2.2 de l'IEC 60071-1:2019.

Note 2 à l'article: Pour les besoins de la coordination de l'isolement, les surtensions à front rapide sont classées selon leur forme, quelle que soit leur origine. Même si des écarts significatifs par rapport aux formes normalisées sont observés sur les réseaux réels, la présente norme considère qu'il est dans la plupart des cas suffisant de décrire de telles surtensions en fonction de leur classification et de leur valeur de crête.

3.7.2.3

surtension à front très rapide

surtension transitoire, généralement unidirectionnelle, de durée jusqu'à la valeur de crête $T_f < 0,1 \mu\text{s}$, et avec ou sans oscillations superposées de fréquence $30 \text{ kHz} < f < 100 \text{ MHz}$

[SOURCE: IEC 60071-1:2019, 3.17.2.3, modifié – L'abréviation VFFO a été supprimée.]

3.7.2.4

surtension à front raide

surtension transitoire classée comme un type de surtension à front rapide de durée jusqu'à la valeur de crête $3 \text{ ns} < T_1 < 1,2 \mu\text{s}$

Note 1 à l'article: L'IEC 60700-1 spécifie une tension de choc à front raide pour les besoins des essais.

Note 2 à l'article: La durée de front est déterminée par des études du réseau.

3.7.2.5

surtension combinée

surtension dont les deux composantes de tension sont appliquées simultanément entre chacune des deux bornes de phase d'une isolation entre phases (ou longitudinale) et la terre

Note 1 à l'article: Une surtension combinée peut comprendre des surtensions temporaires, à front lent, à front rapide ou à front très rapide.

Note 2 à l'article: Elle est classée selon la composante de la valeur de crête la plus élevée.

3.8 **surtension représentative**

 U_{rp}

surtension présumée produire le même effet diélectrique sur l'isolation que la surtension d'une catégorie donnée apparaissant en service dues à diverses origines

Note 1 à l'article: Dans le présent document, il est généralement admis par hypothèse que les surtensions représentatives sont caractérisées par leurs valeurs maximales présumées ou obtenues.

[SOURCE: IEC 60071-1:2019, 3.19, modifié – Les notes à l'article ont été supprimées et remplacées par une nouvelle Note 1.]

3.8.1 **surtension représentative à front lent**

RSFO

valeur de tension entre les bornes d'un matériel qui a la forme d'un choc de manœuvre normalisé

Note 1 to entry: L'abréviation "RSFO" est dérivée du terme anglais développé correspondant "representative slow-front overvoltage".

3.8.2 **surtension représentative à front rapide**

RFFO

valeur de tension entre les bornes d'un matériel qui a la forme d'un choc de foudre normalisé

Note 1 à l'article: L'abréviation "RFFO" est dérivée du terme anglais développé correspondant "representative fast-front overvoltage".

3.8.3 **surtension représentative à front raide**

RSTO

valeur de tension avec une forme normalisée de durée allant jusqu'à la valeur de crête inférieure à celle d'un choc de foudre normalisé, mais supérieure à celle de la surtension à front très rapide, définie dans l'IEC 60071-1

Note 1 à l'article: La Figure 1 de l'IEC 60700-1:2015 spécifie une tension de choc à front raide pour les besoins des essais. La durée de front est déterminée par des études du réseau.

Note 2 à l'article: L'abréviation "RSTO" est dérivée du terme anglais développé correspondant "representative steep-front overvoltage".

3.9 **tension de tenue de coordination**

 U_{cw}

pour chaque catégorie de tension, valeur de la tension de tenue de la configuration de l'isolation, dans les conditions réelles de service, qui satisfait au critère de performance

[SOURCE: IEC 60071-1:2019, 3.25]

3.10 **tension de tenue exigée**

 U_{rw}

tension d'essai qu'il faut que l'isolation tienne dans un essai de tension de tenue normalisée pour s'assurer que l'isolation satisfera au critère de performance lorsqu'elle sera soumise à une catégorie donnée de surtensions dans les conditions réelles de service et pendant toute la durée de service

Note 1 à l'article: La tension de tenue exigée a la forme de la tension de tenue de coordination et elle est spécifiée en se référant à toutes les conditions de l'essai de tension de tenue normalisée choisi pour vérifier cette tenue.

[SOURCE: IEC 60071-1:2019, 3.28]

3.11

tension de tenue spécifiée

 U_w

tension d'essai dûment choisie, supérieure ou égale à la tension de tenue exigée (U_{rw})

Note 1 à l'article: Pour le matériel en courant alternatif, les valeurs des tensions de tenue U_w sont normalisées selon l'IEC 60071-1. Pour le matériel CCHT, les tensions de tenue spécifiées sont arrondies aux valeurs pratiques appropriées.

Note 2 à l'article: L'IEC 60060-1 et l'IEC 60071-1 spécifient les formes de chocs normalisés utilisées pour les essais de tenue du matériel, ainsi que les procédures d'essai. Pour certains équipements en courant continu (par exemple les valves à thyristors), les formes de chocs normalisés peuvent être modifiées afin de refléter de manière plus réaliste les conditions attendues.

3.11.1

tension de tenue au choc de manœuvre

SIWV

tension de tenue de l'isolation qui a la forme du choc de manœuvre normalisé

Note 1 à l'article: L'abréviation "SIWV" est dérivée du terme anglais développé correspondant "switching impulse withstand voltage".

3.11.2

tension de tenue au choc de foudre

LIWV

tension de tenue de l'isolation qui a la forme du choc de foudre normalisé

Note 1 to entry: L'abréviation "LIWV" est dérivée du terme anglais développé correspondant "lightning impulse withstand voltage".

3.11.3

tension de tenue au choc à front raide

STIWV

tension de tenue de l'isolation qui a les paramètres de forme spécifiés en 3.7.2.4

Note 1 à l'article: L'abréviation "STIWV" est dérivée du terme anglais développé correspondant "steep-front impulse withstand voltage".

3.12

tension de régime permanent d'un parafoudre

 U_c

valeur efficace admissible de la tension de régime permanent efficace à fréquence industrielle qui peut être appliquée de façon continue entre les bornes du parafoudre

[SOURCE: IEC 60099-4:2014, 3.10, modifié – L'adjectif "désignée" au début de la définition et la référence "selon 8.7" à la fin ont été supprimés.]

3.13

tension équivalente de régime permanent d'un parafoudre

ECOV

valeur efficace de la tension sinusoïdale à fréquence industrielle au niveau d'un parafoudre à oxyde métallique sollicité par une tension de service de toute forme d'onde qui génère la même puissance dissipée dans les matériaux à oxyde métallique que la tension de service réelle

Note 1 à l'article: L'abréviation "ECOV" est dérivée du terme anglais développé correspondant "equivalent continuous operating voltage of an arrester".

3.14

tension résiduelle d'un parafoudre

 U_{res}

valeur de crête de la tension entre les bornes d'un parafoudre pendant le passage du courant de décharge

[SOURCE: IEC 60099-4:2014, 3.58, modifié – La note à l'article a été supprimée.]

3.15

courants de coordination d'un parafoudre

pour un réseau donné à l'étude et pour chaque classe de surtension, courant qui traverse le parafoudre pour lequel est déterminée la surtension représentative

Note 1 à l'article: Les formes normalisées de courants de coordination pour les chocs de courant à front raide, de foudre et de manœuvre sont données dans l'IEC 60099-4.

Note 2 à l'article: Les courants de coordination sont déterminés par des études du réseau.

3.16

niveaux de protection d'un parafoudre

pour chaque classe de tension, tension résiduelle qui apparaît entre les bornes d'un parafoudre lors du passage d'un courant de décharge correspondant au courant de coordination

Note 1 à l'article: Pour le matériel de conversion CCHT, les définitions spécifiques 3.16.1 à 3.16.3 s'appliquent.

3.16.1

niveau de protection aux surtensions de manœuvre

SIPL

tension résiduelle d'un parafoudre soumis à un courant de décharge qui correspond au courant de coordination d'un choc de manœuvre

Note 1 à l'article: L'abréviation "SIPL" est dérivée du terme anglais développé correspondant "switching impulse protective level".

3.16.2

niveau de protection aux chocs de foudre

LIPL

tension résiduelle d'un parafoudre soumis à un courant de décharge qui correspond au courant de coordination d'un choc de foudre

Note 1 à l'article: L'abréviation "LIPL" est dérivée du terme anglais développé correspondant "lightning impulse protective level".

3.16.3

niveau de protection aux chocs à front raide

STIPL

tension résiduelle d'un parafoudre soumis à un courant de décharge qui correspond au courant de coordination d'un choc à front raide

Note 1 à l'article: L'abréviation "STIPL" est dérivée du terme anglais développé correspondant "steep-front impulse protective level".

3.17

matériel directement protégé

matériel connecté en parallèle à un parafoudre pour lequel la distance de séparation peut ne pas être prise en compte et où toute surtension représentative peut être considérée comme étant égale au niveau de protection correspondant

3.18

ligne de fuite

distance la plus courte ou somme des distances les plus courtes le long des parties isolantes de l'isolateur entre deux parties qui supportent normalement la tension de service entre elles

Note 1 à l'article: La surface du ciment ou de toute autre matière de scellement non isolante n'est pas considérée comme faisant partie de la ligne de fuite.

Note 2 à l'article: Si un revêtement à haute résistance, comme un émail semiconducteur, est appliqué sur certaines parties isolantes d'un isolateur, ces parties sont considérées comme des surfaces isolantes effectives et la distance mesurée à la surface de ces parties est incluse dans la ligne de fuite.

[SOURCE: IEC TS 60815-1: 2008, 3.1.5]

3.19

ligne de fuite spécifique unifiée

USCD

ligne de fuite d'un isolateur divisée par la tension de service maximale appliquée à l'isolateur.

Elle est généralement exprimée en mm/kV

Note 1 à l'article: L'abréviation "USCD" est dérivée du terme anglais développé correspondant "unified specific creepage distance".

[SOURCE: IEC TS 60815-4:2016, 3.1.1, modifié – La note à l'article a été supprimée.]

3.20

distance de séparation

distance entre la borne haute tension du matériel protégé et le point de connexion du conducteur haute tension du parafoudre

3.21

critère de performance

base sur laquelle est choisie l'isolation de façon à réduire à un niveau acceptable, du point de vue de l'économie et de celui de l'exploitation, la probabilité que les contraintes diélectriques résultantes imposées aux matériels causent des dommages aux isolations des matériels ou affectent la continuité du service

Note 1 à l'article: Le critère de performance est habituellement exprimé par un taux de défaillance acceptable (nombre de défaillances par année, nombre d'années entre défaillances, risque de défaillance, etc.) de la configuration de l'isolation.

[SOURCE: IEC 60071-1:2019, 3.23]

4 Symboles et abréviations

4.1 Généralités

La liste fournie en 4.2 ci-dessous ne contient que les symboles et abréviations les plus fréquemment utilisés; certains sont représentés graphiquement sur le schéma unifilaire de la Figure A.1 et du Tableau A.1. Pour obtenir la liste complète des symboles qui ont été adoptés pour les postes de conversion CCHT, ainsi que pour la coordination de l'isolement, se reporter aux normes citées dans les références normatives (Article 2) et dans la Bibliographie.

4.2 Indices

0 (zéro)	à vide (IEC 60633)
d	tension ou courant continu (IEC 60633)
i	idéal (IEC 60633)
max	maximal (IEC 60633)
n	relatif à la composante harmonique de rang n (IEC 60633)

4.3 Symboles littéraux

K_a	facteur de correction d'altitude (IEC 60071-1)
K_c	facteur de coordination (IEC 60071-1)
K_s	facteur de sécurité (IEC 60071-1)
U_c	tension de régime permanent d'un parafoudre
U_{ch}	tension de régime permanent d'un parafoudre, harmoniques comprises
U_n	tension nominale d'un réseau à courant continu
U_s	tension la plus élevée d'un réseau à courant alternatif (IEC 60071-1 et IEC 60071-2)
U_m	tension la plus élevée du matériel
U_{50}	tension de décharge disruptive de 50 %
U_{rp}	surtension représentative
U_{cw}	tension de tenue de coordination
U_{rw}	tension de tenue exigée
U_w	tension de tenue spécifiée (tension de tenue normalisée en courant alternatif)
σ	écart-type
N	nombre d'écart-types

4.4 Abréviations

CCHT	courant continu à haute tension
CC	courant continu
CA	courant alternatif
LCC (Line Commutated Converter)	convertisseur commuté par le réseau
VSC (Voltage Sourced Converter)	convertisseur à source de tension
CCC	convertisseur à condensateur commuté
CCSC	convertisseur à condensateurs en série contrôlés
CCOV (Crest value of Continuous Operating Voltage)	valeur de crête de la tension de régime permanent
PCOV (Peak Continuous Operating Voltage)	tension de régime permanent de crête
ECOV (Equivalent Continuous Operating Voltage)	tension équivalente de régime permanent
RSFO (Representative Slow-Front Overvoltage)	surtension représentative à front lent (valeur maximale de la contrainte de tension)
RFFO (Representative Fast-Front Overvoltage)	surtension représentative à front rapide (valeur maximale de la contrainte de tension)
RSTO (Representative Steep-Front Overvoltage)	surtension représentative à front raide (valeur maximale de la contrainte de tension)
RSIWV (Required Switching Impulse Withstand Voltage)	tension de tenue exigée au choc de manœuvre
RLIWV (Required Lightning Impulse Withstand Voltage)	tension de tenue exigée au choc de foudre
RHTIWV (Required Steep-Front Impulse Withstand Voltage)	tension de tenue exigée au choc à front raide

SIPL (Switching Impulse Protective Level)	niveau de protection aux surtensions de manœuvre
LIPL (Lightning Impulse Protective Level)	niveau de protection aux chocs de foudre
STIPL (Steep-Front Impulse Protective Level)	niveau de protection aux chocs à front raide
SIWV (Switching Impulse Withstand Voltage)	tension de tenue au choc de manœuvre
LIWV (Lightning Impulse Withstand Voltage)	tension de tenue au choc de foudre
STIWV (Steep-Front Impulse Withstand Voltage)	tension de tenue au choc à front raide
USCD (Unified Specific Creepage Distance)	ligne de fuite spécifique unifiée
RUSCD (Reference Unified Specific Creepage Distance)	ligne de fuite spécifique unifiée de référence

5 Principes relatifs à la coordination de l'isolement

5.1 Généralités

Les principaux objectifs de la coordination de l'isolement sont les suivants:

- déterminer les niveaux maximaux de surtension temporaire, transitoire et en régime établi auxquels peuvent être soumis en service les différents composants d'un réseau; et
- choisir la résistance d'isolement et les caractéristiques des matériels, notamment les dispositifs de protection, utilisés pour assurer une installation sûre, économique et fiable en présence de surtensions.

5.2 Différences fondamentales entre les réseaux à courant alternatif et à courant continu

La coordination de l'isolement appliquée à un poste de conversion CCHT est fondamentalement la même que celle appliquée à un poste à courant alternatif. Toutefois, il existe des différences fondamentales qui méritent une attention particulière dans le cas des postes de conversion CCHT. Par exemple, il est nécessaire de tenir compte des points suivants:

- a) les exigences relatives aux groupes de valves montés en série où des parafoudres sont raccordés entre les différentes valves et entre les bornes éloignées du potentiel de terre, ce qui implique l'utilisation de niveaux d'isolement différents pour les différentes parties du poste de conversion CCHT;
- b) la topologie des circuits de conversion sans exposition directe à la surtension externe, étant donné que ces circuits sont limités par les inductances des transformateurs convertisseurs et des bobines d'inductance de lissage;
- c) la présence de sources de puissance réactive et de filtres d'harmoniques côté courant continu et côté courant alternatif, qui donnent lieu à des surtensions potentielles et augmentent le risque de conditions de résonance;
- d) les applications qui comportent de grandes longueurs de lignes et/ou câbles aériens de transmission sans postes de commutation intermédiaires, avec de possibles conditions de résonance du côté courant continu;
- e) la présence de transformateurs convertisseurs dont le côté valves n'est pas directement raccordé au potentiel de terre et un décalage de la tension en courant continu;

- f) les caractéristiques des valves du convertisseur qui conduisent à des formes d'ondes de tension mixtes (qui combinent parfois une tension en courant continu, une tension à fréquence fondamentale, des tensions harmoniques et des composantes haute fréquence), des ratés de commutation, etc.;
- g) le dysfonctionnement des commandes susceptible d'entraîner des ratés d'allumage de valves, des ratés de déclenchement, des extinctions de courant;
- h) des procédures rapides de commande et de protection afin de réduire les surtensions;
- i) les effets de polarité de tension des contraintes de tension en courant continu qui, en attirant une plus grande quantité de contaminants dans l'isolation en courant continu du fait d'une polarité constante, conduisent à des exigences de ligne de fuite et de distance d'isolement plus rigoureuses, tout en augmentant la pollution et dégradant les performances d'amorçage par rapport à une isolation en courant alternatif dans le même environnement;
- j) l'interaction entre les réseaux à courant alternatif et à courant continu, en particulier lorsque le réseau à courant alternatif est relativement faible;
- k) les différents modes de fonctionnement du convertisseur: monopolaire, bipolaire, parallèle ou à plusieurs bornes;
- l) il n'existe aucun niveau d'isolement normalisé dans le cas des réseaux à courant continu.

5.3 Procédure de coordination de l'isolement

La méthode générale d'étude d'un poste de conversion CCHT comprend les étapes suivantes:

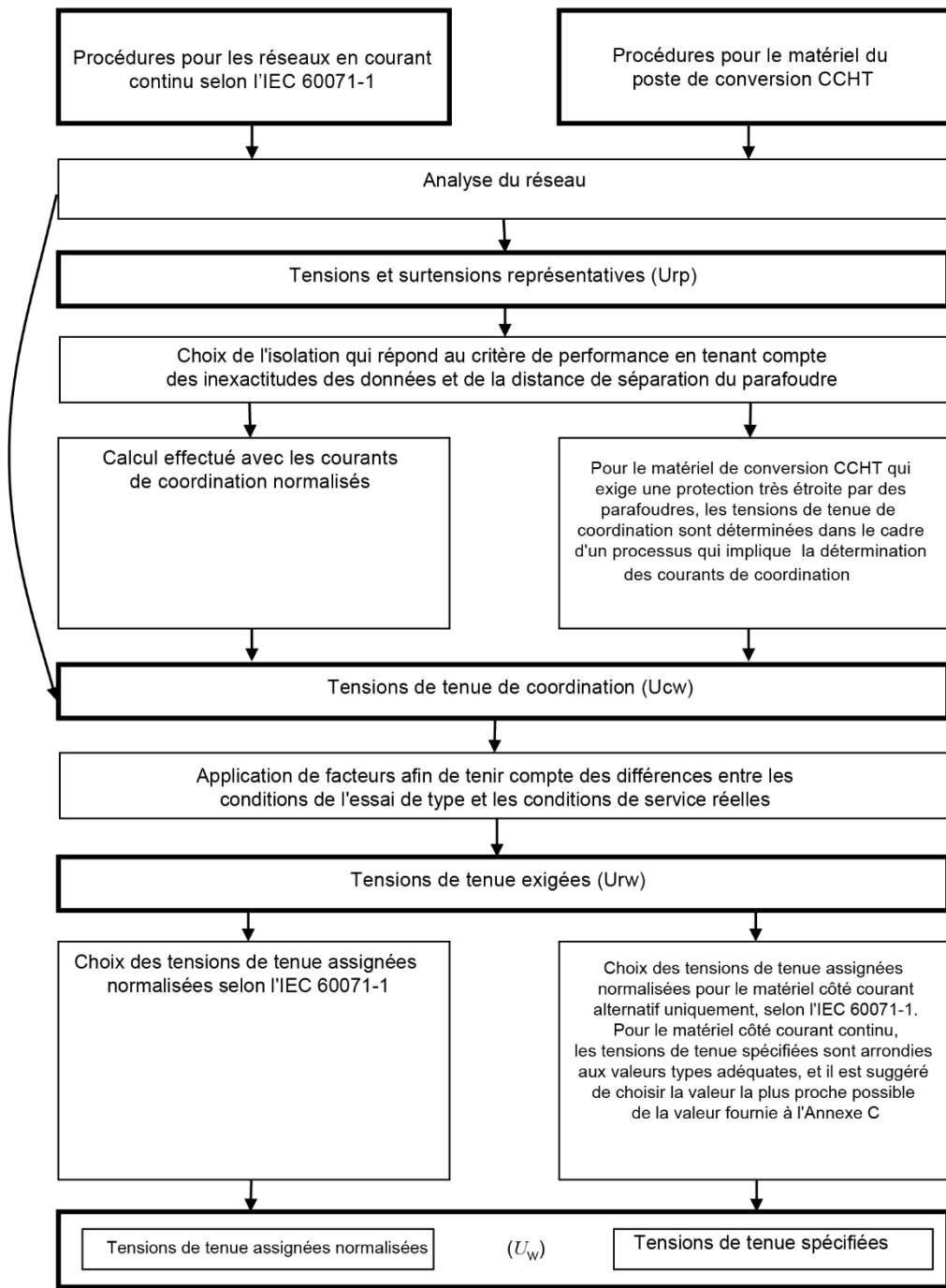
- a) le choix de la configuration du circuit à courant continu, par exemple la position des bobines d'inductance de lissage à courant continu, le point de la mise à la terre du côté courant continu, le montage (étoile ou delta) de l'enroulement des valves du transformateur convertisseur à la borne de tension en courant continu la plus élevée;
- b) le choix du montage du parafoudre en fonction de la configuration de circuit à courant continu retenue;
- c) l'évaluation des caractéristiques du réseau à courant alternatif au niveau du bus de commutation et du réseau à courant continu, ainsi que de leur interaction, afin de déterminer les différentes surtensions représentatives et les contraintes de courant/d'énergie imposées aux parafoudres;
- d) l'optimisation de la conception par une évaluation itérative des exigences relatives à l'isolement du matériel et aux parafoudres.

5.4 Différences relatives au choix de la tension de tenue dans les réseaux à courant alternatif et à courant continu

Comme cela est décrit dans l'IEC 60071-1, la procédure de coordination de l'isolement comprend quatre étapes principales, répertoriées dans le Tableau 2.

Tableau 2 – Comparaison de la procédure de coordination de l'isolement pour les réseaux à courant alternatif et à courant continu

Procédure	Réseaux à courant alternatif	Réseaux à courant continu
Etape 1:	détermination des surtensions représentatives (U_{rp})	
Etape 2:	détermination des tensions de tenue de coordination (U_{cw})	
Etape 3:	détermination des tensions de tenue exigées (U_{rw})	
Etape 4:	détermination des tensions de tenue assignées normalisées (U_w)	détermination des tensions de tenue spécifiées (U_w)



IEC

Figure 1 – Comparaison des tensions de tenue pour le matériel à courant alternatif et le matériel du poste de conversion CCHT

La Figure 1 est un organigramme de la procédure utilisée pour choisir les tensions de tenue (U_w) dans les réseaux à courant alternatif (Figure 1 de l'IEC 60071-1:2019) et à courant continu; les différences sont identifiées pour les réseaux à courant continu.

Les différentes étapes du processus de sélection sont décrites dans l'IEC 60071-1 pour les réseaux à courant alternatif et à l'Article 6 du présent document pour les réseaux à courant continu.

6 Procédure de conception de la coordination de l'isolement

6.1 Généralités

En raison des différences fondamentales entre les réseaux à courant alternatif et à courant continu qui entraînent des écarts dans le processus de coordination de l'isolement, comme cela est décrit en 5.2, il est utile de définir clairement à l'Article 6 les objectifs de conception à atteindre en application des procédures de coordination décrites en 6.2 à 6.7. Cela s'applique dans une certaine mesure au côté courant alternatif du poste de conversion CCHT, mais dans une plus large mesure au côté courant continu, d'autant plus que plusieurs groupes de valves sont normalement montés en série. Les valves et autres équipements entièrement isolés de la terre sont par conséquent disposés de manière à être protégés par des parafoudres adéquats, comme cela est représenté à la Figure A.1 et à la Figure A.2.

Le premier objectif de conception est donc de choisir l'emplacement approprié des différents parafoudres en fonction de l'ensemble des caractéristiques disponibles ou compilées du réseau:

- le plan du convertisseur à courant continu;
- le réseau à courant alternatif;
- les lignes et câbles en courant continu et de l'électrode de terre (le cas échéant);
- le côté courant alternatif du poste de conversion CCHT.

Le second objectif de conception important consiste à planifier et réaliser des études afin d'établir les exigences relatives aux parafoudres.

L'objectif principal est de déterminer les tensions de tenue qui permettent d'assurer la fiabilité souhaitée.

6.2 Caractéristiques des parafoudres

Actuellement, la protection contre les surtensions des postes de conversion CCHT repose exclusivement sur des parafoudres à oxyde métallique sans éclateur (selon l'IEC 60099-4), de sorte que le niveau d'isolement du réseau CCHT est directement déterminé par les caractéristiques et le montage du parafoudre. Le montage réel des parafoudres dépend de la configuration du poste de conversion CCHT et du type de circuit de transport. La Figure A.1, la Figure A.2 et la Figure A.3 représentent plusieurs emplacements possibles pour les parafoudres des postes de conversion CCHT. Toutefois, le critère de base utilisé est que chaque niveau de tension et le matériel associé sont protégés de manière adéquate à un coût qui correspond à la fiabilité et à la capacité de tenue souhaitées du matériel (voir 3.21). Une description détaillée est fournie dans le guide d'application.

6.3 Caractéristiques de l'isolation

Comme dans les postes à courant alternatif, deux types d'isolations sont utilisés dans les réseaux CCHT: l'isolation autorégénératrice qui s'applique à l'air, et l'isolation non autorégénératrice qui s'applique par exemple à l'huile et au papier. Cependant, les gaz qui peuvent être utilisés peuvent appartenir à deux types d'isolations. Comme l'état de fonctionnement du matériel d'un réseau à courant continu est plus complexe que celui d'un réseau à courant alternatif, l'effet combiné des tensions en courant continu, en courant alternatif et de choc (également avec inversion de polarité) dans les applications en courant continu doit être pris en compte. Les caractéristiques de l'isolation ne relèvent pas du domaine d'application du présent document.

6.4 Détermination des surtensions représentatives (U_{rp})

La surtension représentative définie dans l'IEC 60071-1 est égale à la surtension maximale de chaque classe de surtensions. Ce concept général s'applique aux réseaux à courant alternatif et à courant continu, mais une application particulière de ce concept aux réseaux à courant continu admet que les surtensions représentatives sont égales aux niveaux de protection des parafoudres pour le matériel directement protégé.

Les surtensions représentatives sont déterminées en tenant compte des défauts pertinents et en étudiant les résultats du calcul afin d'identifier le type de surtension représentative. Lorsque le type de surtension a été déterminé, la valeur de crête de la forme d'onde choisie peut être ajustée afin de prendre en compte la durée et la forme de la surtension conformément à l'Article 2 de l'IEC 60071-2:2018. Cet ajustement peut être considéré comme étant pris en compte lorsque les facteurs sont appliqués aux niveaux de protection des parafoudres, comme cela est indiqué en 6.6.

6.5 Détermination des tensions de tenue de coordination (U_{cw})

La détermination des tensions de tenue de coordination consiste à établir les valeurs minimales des tensions de tenue de l'isolation qui répondent au critère de performance lorsque l'isolation est soumise aux surtensions représentatives dans des conditions de service.

La procédure de coordination de l'isolement recommandée dans l'IEC 60071-1 applique un facteur de coordination (K_c) aux surtensions représentatives (U_{rp}) afin de déterminer les tensions de tenue de coordination (U_{cw}), soit: $U_{cw} = K_c \times U_{rp}$ (voir l'IEC 60071-1:2019, 5.3).

Pour le matériel côté courant continu, la méthode déterministe (voir l'IEC 60071-2:2018, 5.3) est effectivement utilisée de sorte que, pour de tels matériels, le facteur de coordination déterministe K_{cd} (voir l'IEC 60071-2:2018, 5.3.3.1) est utilisé en lieu et place de K_c . Le facteur de coordination K_{cd} appliqué aux surtensions représentatives comprend:

- la prise en compte des limitations de modélisation et de données pour le calcul des surtensions, ainsi que des courants de coordination compte tenu de la forte non-linéarité des caractéristiques du parafoudre;
- la prise en compte de la forme et de la durée des surtensions.

Pour les applications en courant continu, si la valeur calculée de U_{rp} est la valeur la plus élevée pour des contingences raisonnables, la valeur de U_{cw} peut être considérée comme étant égale à U_{rp} .

Pour le côté courant alternatif d'un réseau CCHT, des simulations des phénomènes de surtension, combinées à l'évaluation simultanée du risque de défaillance effectuée à partir des caractéristiques d'isolation adéquates, permettent de déterminer directement les tensions de tenue de coordination statistiques sans l'étape intermédiaire de détermination des surtensions représentatives (voir Figure 1).

6.6 Détermination des tensions de tenue exigées (U_{rw})

La détermination des tensions de tenue exigées de l'isolation consiste à convertir les tensions de tenue de coordination en conditions d'essai normalisées appropriées. Cette opération est réalisée en multipliant les tensions de tenue de coordination par des facteurs qui compensent les différences entre les conditions de service réelles de l'isolation et les conditions de référence normalisées selon l'IEC 60060-1.

Comme pour les réseaux à courant alternatif, l'isolation du matériel est, selon l'IEC 60071-1, classée en deux catégories: isolation autorégénératrice et isolation non autorégénératrice. L'isolation autorégénératrice est principalement constituée d'intervalles d'air et de l'isolation externe des isolateurs, tandis que l'isolation non autorégénératrice est principalement constituée de matériaux diélectriques à base d'huile et de cellulose utilisés dans les transformateurs convertisseurs et les bobines d'inductance. Les valves ont des propriétés similaires à celles d'un matériau d'isolation autorégénératrice; des unités redondantes sont fournies afin de maintenir la tension de tenue exigée même en cas de défaillances aléatoires des unités de valves entre les périodes de maintenance.

Les parafoudres sont utilisés afin de protéger l'isolation du matériel comme dans le cas des applications en courant alternatif. Toutefois, ils ne sont pas nécessairement reliés directement à la terre, mais ils sont également reliés directement au matériel élevé par rapport au potentiel de terre. Pour les valves, les parafoudres sont situés à proximité de la valve afin d'éliminer les effets de distance.

La différence fondamentale par rapport aux applications en courant alternatif est que, dans les applications CCHT, l'isolation est soumise à des tensions en courant alternatif, en courant continu, de choc ou mixtes. Les tensions mixtes nécessitent la prise en compte de la répartition de la tension résistive et capacitive, et peuvent engendrer des contraintes de tension élevées. Ces contraintes de tension élevées sont cependant prises en compte lors de la conception et des essais du matériel.

Les tensions de tenue exigées (U_{rw}) pour les chocs de manœuvre, de foudre et à front raide sont déterminées en multipliant les tensions de tenue de coordination correspondantes (U_{cw}) par les facteurs adéquats. A partir des tensions de tenue, les tensions d'essai de chaque matériel sont déterminées conformément aux normes de matériel applicables. Les tensions de tenue exigées U_{rw} sont déterminées en appliquant à la tension de tenue de coordination le facteur de correction d'altitude K_a de l'isolation externe, ainsi que le facteur de sécurité K_s dont la valeur dépend du type d'isolation, interne ou externe. Voir la Figure 1 de l'IEC 60071-1:2019. Le facteur de sécurité K_s tient compte des éléments suivants:

- le vieillissement de l'isolation;
- les variations des caractéristiques du parafoudre;
- la dispersion de la qualité du produit.

En ce qui concerne les postes de conversion CCHT, la méthode déterministe est appliquée. Jusqu'à 1 000 m d'altitude, l'expérience a montré que les tensions de tenue exigées du matériel peuvent être obtenues en appliquant un facteur au niveau de protection correspondant du parafoudre. Ce facteur tient compte de l'ensemble des éléments qui ont été décrits précédemment au début du présent paragraphe. Le Tableau 3 fournit un ensemble de valeurs indicatives pour ce facteur, qui peuvent être utilisées comme objectifs de conception si ceux-ci ne sont pas spécifiés par l'utilisateur ou par les comités de produit concernés. Dans le Tableau 3, tous les matériels sont considérés comme étant directement protégés par un parafoudre. Si cela n'est pas le cas, par exemple pour certains matériels côté courant alternatif, l'effet de distance des transitoires rapides et très rapides doit être pris en compte. Il convient alors d'augmenter les rapports indicateurs en conséquence (voir l'IEC 60071-1 et l'IEC 60071-2, facteur de coordination et tensions de tenue de coordination).

Tableau 3 – Valeurs indicatives des rapports entre la tension de tenue exigée au choc et le niveau de protection aux chocs

Type de matériel	Valeurs indicatives de la tension de tenue exigée au choc/du niveau de protection aux chocs ^{a, c}		
	RSIWV/SIPL	RLIWV/LIPL	RSFIWV/STIPL ^b
Poste extérieur en courant alternatif – jeux de barres, isolateurs extérieurs et autres matériels types	1,20	1,25	1,25
Composants du filtre côté courant alternatif	1,15	1,25	1,25
Transformateurs (immergés dans l'huile)			
côté réseau	1,20	1,25	1,25
côté valves	1,15	1,20	1,25
Valves du convertisseur	1,15	1,15	1,20
Matériel du bâtiment des valves en courant continu	1,15	1,15	1,25
Matériel du poste extérieur en courant continu (y compris les filtres côté courant alternatif et la bobine d'inductance en courant continu)	1,15	1,20	1,25
^a Les valeurs indiquées ne concernent que les objectifs généraux de conception. Des rapports finaux appropriés (supérieurs ou inférieurs) peuvent être utilisés selon les critères de performance choisis. ^b STIPL pour les parafoudres des valves de LCC. ^c Les rapports indicateurs sont établis en retenant l'hypothèse que le matériel est directement protégé par un parafoudre.			

6.7 Détermination de la tension de tenue spécifiée (U_w)

Les tensions de tenue spécifiées sont supérieures ou égales aux tensions de tenue exigées. Pour le matériel en courant alternatif, les tensions de tenue spécifiées correspondent aux valeurs normalisées indiquées dans l'IEC 60071-1.

Pour le matériel CCHT, les tensions de tenue spécifiées sont arrondies aux valeurs pratiques appropriées. Il est suggéré de choisir la valeur la plus proche possible de la valeur indiquée à l'Annexe C.

7 Exigences relatives aux essais de tension de tenue

Des essais de tension de tenue sont effectués afin de démontrer, avec un degré de confiance adéquat, que la tension de tenue réelle de l'isolation n'est pas inférieure à la tension de tenue spécifiée correspondante.

Sauf spécification contraire des comités de produit concernés, il convient de soumettre le matériel CCHT aux essais de tension de tenue suivants:

- essais de tension de tenue en courant continu;
- essais de tension de tenue aux chocs;
- essais de tension de tenue à fréquence industrielle (sauf spécification contraire des comités de produit concernés, ces essais ne s'appliquent qu'au matériel en courant alternatif).

En général, les essais de tension de tenue sont effectués à sec dans une situation normalisée (montage d'essai spécifié par les comités de produit concernés et conditions atmosphériques de référence normalisées). Cependant, pour l'isolation externe exposée, les essais de tension de tenue en courant continu, à fréquence industrielle et aux chocs de manœuvre sont effectués sous pluie dans les conditions spécifiées dans l'IEC 60060-1.

Les procédures d'essai et les critères d'évaluation relatifs aux essais de tension de tenue sont spécifiés par les comités de produit concernés.

8 Lignes de fuite

8.1 Généralités

La ligne de fuite sur les isolateurs est l'un des facteurs qui déterminent les performances des isolations externes aux tensions de régime permanent (courant alternatif, courant continu ou mixte). Lorsque les isolateurs sont humides, leur contamination réduit leur aptitude à supporter les tensions de service. La pluie, la neige, la rosée ou le brouillard sont des conditions météorologiques qui peuvent déclencher ce processus. La capacité de tenue des isolateurs contaminés est également compromise par d'autres facteurs comme le profil des ailettes, l'angle d'orientation et le diamètre des isolateurs. En ce qui concerne les traversées, les dispositifs de mesure du courant continu, les diviseurs de tension en courant continu et autres équipements analogues, la construction interne du noyau a une incidence sur la répartition interne et externe des tensions. Il convient de prendre en compte l'ensemble de ces facteurs afin de déterminer le type et la forme des isolateurs adaptés aux applications.

Il y a eu des cas d'amorçages de traversées sur différents schémas de fonctionnement en courant continu, lorsque des dépôts de contaminants avaient été légèrement mouillés par la rosée, le brouillard ou la pluie. De plus, ces amorçages se sont produits en raison d'un mouillage inégal des isolateurs externes, par exemple lorsque les traversées sont montées à l'horizontale, même si ce phénomène est indépendant de la ligne de fuite.

Pour plus de détails concernant la ligne de fuite unifiée, les lecteurs peuvent consulter la série IEC 60815.

8.2 Tension de base pour la ligne de fuite

La tension de base aux bornes de l'isolation utilisée conjointement avec la ligne de fuite spécifique unifiée est comme suit:

- a) pour l'isolation phase-terre du côté courant alternatif du convertisseur (matériel en courant alternatif): valeur efficace permanente la plus élevée de la tension de service phase-terre;
- b) pour l'isolation entre phases du côté courant alternatif du convertisseur (matériel en courant alternatif): valeur efficace la plus élevée de la tension de service entre phases;
- c) pour l'isolation du matériel en courant continu soumis à une tension en courant continu pure: tension en courant continu permanente maximale aux bornes du matériel;
- d) pour le cas des formes d'ondes de tension mixtes composées de la fréquence fondamentale et des harmoniques en courant continu: valeur efficace de la tension (par exemple, valves et composants du filtre côté courant continu);
- e) pour le cas des formes d'ondes de tension mixtes composées de la fréquence fondamentale et des harmoniques en courant alternatif: valeur efficace la plus élevée de la tension (par exemple, composants du filtre côté courant alternatif).

Les lignes de fuite exigées sont définies selon l'IEC TS 60815-1:2008, 8.3 qui, pour les besoins de la normalisation, décrit cinq classes de pollution qui caractérisent la gravité de la pollution d'un site (SPS, *Site Pollution Severity*).

8.3 Ligne de fuite pour l'isolation extérieure sous tension en courant continu

Depuis plusieurs années, la tendance dans l'industrie a été d'utiliser de plus grandes lignes de fuite spécifiques pour les applications CCHT dans des conditions polluées de fonctionnement d'environ 60 mm/kV pour des isolateurs en porcelaine. Plusieurs techniques de limitation ont été utilisées sur les réseaux CCHT existants pour résoudre ce problème. Même si l'application de graisse silicone a permis d'éviter des amorçages, la fréquence de lubrification est élevée en présence de conditions polluées. Une variante consiste à appliquer du caoutchouc vulcanisé à

température ambiante (RTV, *Room Temperature Vulcanized Rubber*) sur la surface des isolateurs. Les progrès technologiques dans ce domaine ont permis d'améliorer les performances. L'utilisation d'ailettes intermédiaires a également permis de prévenir les amorçages de traversées. L'utilisation de logements composés pour les traversées et autres dispositifs a permis de résoudre les amorçages dans les postes CCHT, même avec des lignes de fuite spécifiques plus faibles. L'expérience en service d'un isolateur et de traversées composites a montré qu'environ 75 % de la ligne de fuite associée à un isolateur en porcelaine équivalent donnait des performances satisfaisantes. L'hydrophobicité du matériau composite le rend également adapté aux applications qui impliquent un mouillage inégal. Des isolateurs et traversées composites ont récemment été utilisés de manière satisfaisante, notamment à des tensions supérieures ou égales à 500 kV.

8.4 Ligne de fuite pour l'isolation intérieure sous tension en courant continu ou tension mixte

Dans le cas d'un environnement intérieur propre et contrôlé (bâtiment des valves) avec régulation de l'humidité, une ligne de fuite spécifique minimale d'environ 14 mm/kV (calculée en 8.2 selon la tension de base appropriée) a été largement utilisée et n'a entraîné aucun amorçage. Le chemin des lignes de fuite, dans tous les cas, peut ne pas être un paramètre particulièrement approprié pour définir l'isolation interne des valves du convertisseur et la distance d'arc peut s'avérer plus appropriée.

Pour les installations CCHT intérieures (parc intérieur à courant continu) dont l'environnement n'est pas régulé, des performances satisfaisantes ont été obtenues pour une ligne de fuite comprise entre 20 mm/kV et 30 mm/kV, en admettant par hypothèse qu'il n'existe pas de condensation.

8.5 Ligne de fuite des isolateurs en courant alternatif

Conformément à l'IEC TS 60815-2 pour les isolateurs en céramique et en verre et à l'IEC TS 60815-3 pour les isolateurs en polymère, l'utilisateur peut:

- déterminer la ligne de fuite spécifique unifiée de référence (RUSCD) à partir de la classe de SPS (spécifiée à la Figure 1 de l'IEC TS 60815-2:2008 et à la Figure 1 de l'IEC TS 60815-3:2008);
- évaluer la pertinence des différents profils d'isolateurs;
- déterminer l'USCD nécessaire en appliquant des corrections à la RUSCD pour la forme, la taille, la position, etc. des isolateurs;
- si cela est exigé, déterminer les méthodes et les paramètres d'essai appropriés pour vérifier les performances des isolateurs choisis.

9 Distances d'isolement dans l'air

Les informations détaillées concernant les distances exigées d'isolement dans l'air pour assurer une isolation de tension de choc spécifiée pour les applications en courant alternatif sont fournies dans l'IEC 60071-1 et l'IEC 60071-2, tandis que l'Annexe B de l'IEC 60071-1:2019 met en correspondance les tensions de tenue aux chocs et les distances minimales d'isolement dans l'air. Les distances d'isolement dans les applications en courant continu reposent sur les niveaux d'isolement du matériel qui sont déterminés de manière à fournir la marge adéquate par rapport au niveau de protection des parafoudres, plutôt que sur les niveaux normalisés du matériel. L'Annexe C donne un exemple de niveaux d'isolement possibles recommandés pour les réseaux CCHT, ainsi que des exemples de distances d'isolement minimales possibles pour les configurations d'intervalle pointe-structure et conducteur-structure.

La procédure de calcul des distances minimales d'isolement dans l'air pour différentes formes de tensions est décrite de manière satisfaisante dans l'IEC 60071-2. La tension de décharge disruptive de 50 % U_{50} utilisée pour le calcul de la distance d'isolement dans l'air doit être déterminée selon l'IEC 60071-2 à l'aide de la formule suivante:

$$U_{50} = \frac{U_w}{(1 - N \times \sigma)} \quad (1)$$

où:

U_w est la tension de tenue spécifiée (LIWL ou SIWL) déterminée par les études de coordination de l'isolement, en kV;

U_{50} est la tension de décharge disruptive de 50 % pour la forme d'onde de tension appropriée, en kV;

σ est l'écart-type, prédéterminé selon l'IEC 60071-2;

N est le nombre d'écart-types.

NOTE Le nombre d'écart-types dépend de la probabilité de décharge disruptive de l'isolation externe à la suite d'un choc de manœuvre ou de foudre pris en compte dans la conception, selon l'Annexe B de l'IEC 60071-2:2018. La pratique normale en ce qui concerne la distance d'isolement dans l'air est de prendre $N = 1,3$ pour les applications en courant alternatif, recommandée selon l'IEC 60071-2, ce qui correspond à une probabilité de tenue de 90 %. Pour des distances d'isolement des applications CCHT extérieures, $N = 2$ a été recommandée dans le document [1], ce qui correspond à une probabilité de tenue de 98 %.

La valeur U_{50} doit être déterminée à partir de la valeur du facteur d'intervalle qui correspond à la forme de l'électrode.

Lors du calcul de U_w , des facteurs de correction atmosphérique doivent être appliqués aux conditions atmosphériques non normalisées conformément à l'IEC 60060-1.

La distance d'isolement minimale est choisie comme la distance d'isolement la plus grande déterminée à partir de la tenue du matériel aux chocs de manœuvre et de foudre.

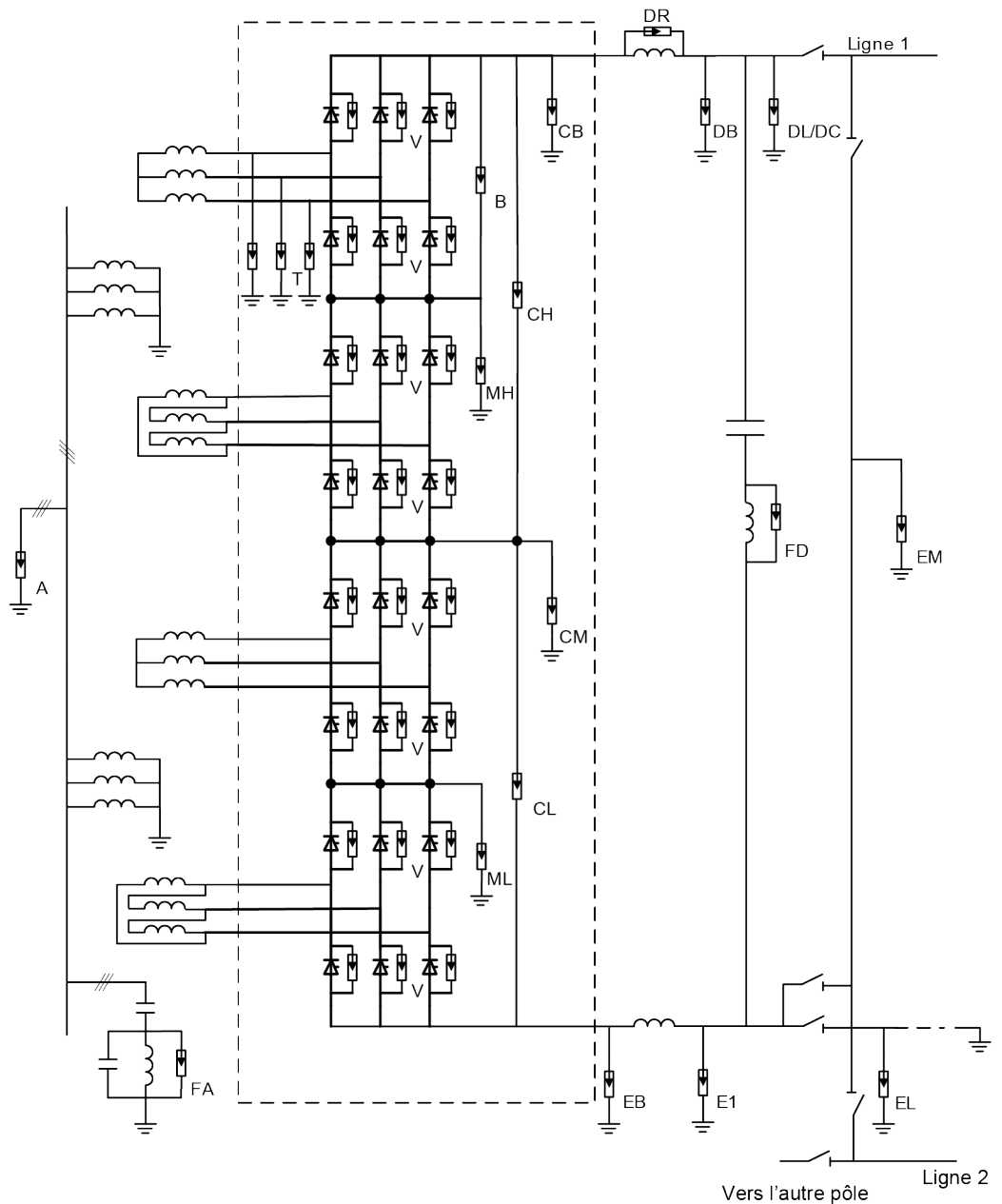
Dans les applications CCHT, la présence de tensions mixtes, en courant alternatif, en courant continu et de choc doit être prise en compte [2].

Annexe A (informative)

Plans types des postes de conversion CCHT

La Figure A.1 représente le schéma unifilaire d'un poste de conversion CCHT commuté par le réseau équipée de deux ponts de convertisseurs dodécaphasés montés en série. La Figure A.2 et la Figure A.3 représentent les schémas unifilaires de postes de conversion à source de tension bipolaires et monopolaires symétriques, respectivement. La Figure A.1 [1], la Figure A.2 et la Figure A.3 indiquent les emplacements possibles des parafoudres couverts par le présent document. Certains de ces parafoudres peuvent être redondants et peuvent être exclus en fonction de leur conception spécifique.

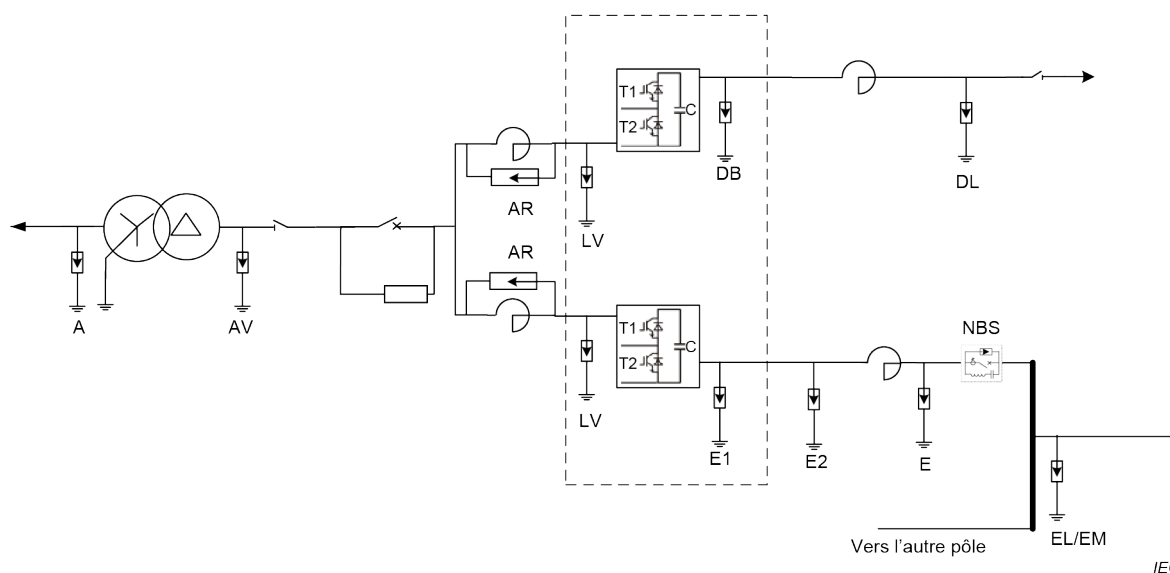
Pour les besoins du présent document, le Tableau A.1 répertorie les symboles graphiques utilisés dans l'Annexe A.



Légende

A:	parafoudre de barre à courant alternatif	FA:	parafoudre de filtre côté courant alternatif
FD:	parafoudre de filtre côté courant continu	EL:	parafoudre de ligne d'électrode
E1:	parafoudre de barre de neutre côté courant continu	EM:	parafoudre de retour métallique
EB:	parafoudre de neutre du convertisseur	B:	parafoudre de pont (hexaphasé)
V:	parafoudre de valve	CB:	parafoudre de barre à courant continu de l'unité de conversion
T:	parafoudre d'enroulement côté valves du transformateur	DB:	parafoudre de barre à courant continu
DR:	parafoudre de la bobine d'inductance de lissage	DC:	parafoudre de câble à courant continu
DL:	parafoudre de ligne à courant continu	CM:	parafoudre entre unités de conversion
CL:	parafoudre d'unité de conversion BT	MH:	parafoudre de pont médian (pont HT)
CH:	parafoudre d'unité de conversion HT	ML:	parafoudre de pont médian (pont BT)

Figure A.1 – Emplacements possibles des parafoudres dans un pôle de poste de conversion commuté par le réseau bipolaire avec des convertisseurs dodécaphasés montés en série

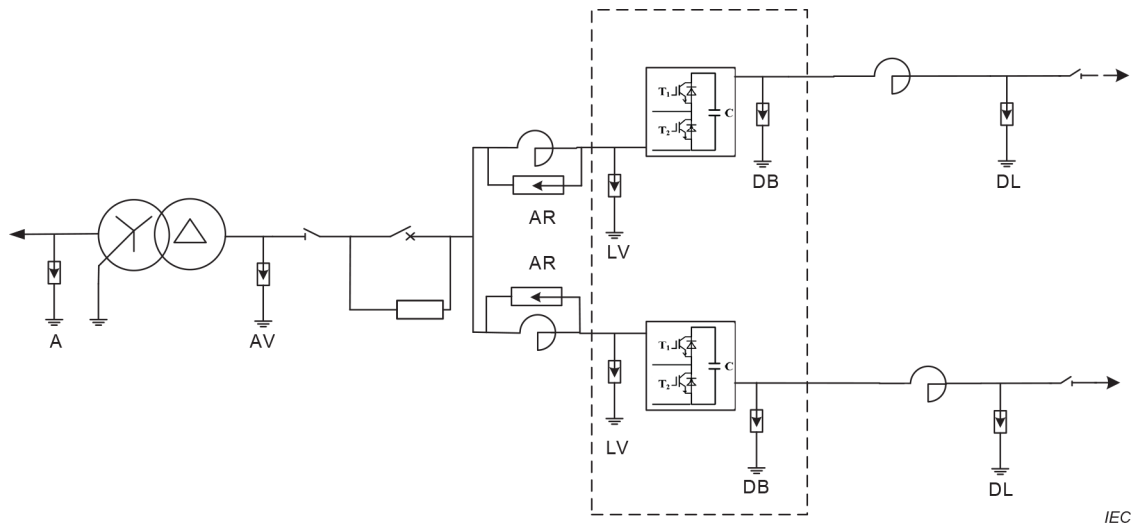


IEC

Légende

A:	parafoudre côté courant alternatif	LV:	parafoudre côté valves de la bobine d'inductance (bras de pont)
AV:	parafoudre côté valves du transformateur	DB:	parafoudre de barre à courant continu
AR:	parafoudre entre les bornes de la bobine d'inductance (bras de pont)	DL:	parafoudre de ligne à courant continu
E/E1/E2:	parafoudre de barre de neutre	EL/EM:	parafoudre de ligne d'électrode/de retour métallique
NBS:	commutateur de barre de neutre		

Figure A.2 – Emplacements possibles des parafoudres dans un pôle de postes de conversion à source de tension bipolaires



Légende

- A: parafoudre côté courant alternatif
- AV: parafoudre côté valves du transformateur
- AR: parafoudre entre les bornes de la bobine d'inductance (bras de pont)
- NV: parafoudre au point neutre du transformateur
- LV: parafoudre côté valves de la bobine d'inductance (bras de pont)
- DB: parafoudre de barre à courant continu
- DL: parafoudre de ligne à courant continu

Figure A.3 – Emplacements possibles des parafoudres dans des postes de conversion à source de tension monophasiques symétriques

Tableau A.1 – Description des symboles

Symbole	Description
	Valve unique (thyristor) IEC 60617-S00057:2001-07
	Parafoudre IEC 60617-S00373:2001-07
	Bobine d'inductance IEC 60617-S00849:2001-07
	Condensateur IEC 60617-S00567:2001-07
	Terre IEC 60617-S00200:2001-07

Annexe B (informative)

Exemple de calcul des distances d'isolement dans l'air

B.1 Remarques préliminaires

La présente Annexe B fournit un exemple de description et de méthode afin de calculer les distances d'isolement dans l'air pour les applications en courant continu comme les applications CCHT. La procédure de calcul de la rigidité diélectrique des intervalles d'air est déjà décrite de manière satisfaisante dans l'IEC 60071-2. Par conséquent, les méthodes décrites dans cette norme ainsi que les formules fournies permettent de calculer les distances minimales d'isolement dans l'air pour différentes contraintes de tension. Ainsi, toutes les limitations indiquées dans l'IEC 60071-2 s'appliquent également à la présente Annexe B. De nos jours, les distances d'isolement dans l'air dans les applications CCHT sont principalement déterminées à partir des contraintes de chocs générées par des événements transitoires, tels que les impacts de foudre ou les défauts à la terre dans le réseau, plutôt qu'à partir des contraintes de tension en courant continu en régime établi. Les exemples fournis se limitent au calcul des distances d'isolement dans l'air qui résultent de contraintes normalisées de chocs de manœuvre et de foudre.

Les exemples présentés sont donnés à titres informatif et didactique; ils sont très schématiques. L'objectif est d'aider l'utilisateur à évaluer la distance exigée d'isolement dans l'air. Les exemples récapitulent les étapes qui utilisent une tension de tenue U_w spécifique de l'isolation et qui aboutissent à une distance minimale exigée d'isolement dans l'air d .

Par souci de simplicité, il est admis par hypothèse qu'une correction atmosphérique pour des conditions atmosphériques non normalisées selon l'IEC 60060-1 est déjà appliquée à la tension de tenue U_w . Cela signifie que la valeur U_w correspond aux conditions atmosphériques de référence normalisées selon l'IEC 60060-1.

B.2 Distance minimale calculée d'isolement dans l'air pour la contrainte d'un choc de manœuvre

B.2.1 Généralités

Afin de calculer la distance minimale exigée d'isolement dans l'air pour les contraintes de tension d'un choc de manœuvre normalisé, la tension de décharge disruptive de 50 % U_{50} de l'isolation autorégénératrice est exigée dans les conditions atmosphériques de référence normalisées. Cette tension est calculée à partir de la tension de tenue spécifiée U_w dans les conditions atmosphériques de référence normalisées décrites à l'Article 9 (voir Formule (1)).

Conformément à l'Annexe F de l'IEC 60071-2:2018, la distance minimale d'isolement dans l'air pour les chocs de manœuvre normalisés peut être calculée comme suit:

$$d = 0,6 \sqrt{\frac{U_{50}}{500 \times K}} \quad (\text{B.1})$$

où

d est la distance minimale calculée d'isolement dans l'air pour supporter la contrainte d'un choc de manœuvre, en m;

K est le facteur d'intervalle du choc de manœuvre pour la configuration d'électrode à l'étude.

Il est important de mentionner que toutes les conditions de base et les limitations décrites dans l'IEC 60071-2 demeurent valables et qu'il est nécessaire d'en tenir compte lors du calcul de la distance minimale exigée d'isolement dans l'air pour une certaine contrainte d'un choc de manœuvre.

B.2.2 Exemple de calcul

En admettant une tension de tenue exigée au choc de manœuvre de 1 050 kV et un montage conducteur-plan avec un facteur d'intervalle de 1,15, comme cela est recommandé dans l'Annexe F de l'IEC 60071-2:2018:

$$\begin{aligned}
 \text{RSIWV} &= 1\,050 \text{ kV} \\
 \sigma &= 6 \% \\
 U_w &= 1\,050 \text{ kV} \\
 U_{50} &= \frac{U_w}{0,88} \text{ kV} = 1\,193 \text{ kV} \\
 d &= 0,6 \sqrt{\frac{U_{50}}{500 \times 1,15}} = 3,375 \text{ m}
 \end{aligned}$$

La distance minimale calculée d'isolement dans l'air pour la configuration d'électrode de type conducteur-plan avec un facteur d'intervalle de 1,15 ne doit pas être inférieure à 3,375 m afin de supporter les contraintes d'un choc de manœuvre de 1 050 kV avec une probabilité de décharge de conception de 2σ .

B.3 Distance minimale calculée d'isolement dans l'air pour la contrainte d'un choc de foudre

B.3.1 Généralités

Afin de calculer la distance minimale exigée d'isolement dans l'air pour les contraintes de tension d'un choc de foudre normalisé, la tension de décharge disruptive de 50 % U_{50} de l'isolation autorégénératrice est exigée dans les conditions atmosphériques de référence normalisées. Cette tension est calculée à partir de la tension de tenue spécifiée U_w dans les conditions atmosphériques de référence normalisées décrites à l'Article 9 (voir Formule (1)).

Conformément à l'Annexe F de l'IEC 60071-2:2018, la distance minimale d'isolement dans l'air pour les chocs de foudre normalisés peut être calculée comme suit:

$$d = \frac{U_{50}}{(0,74 + 0,26 \times K) \times 530} \quad (\text{B.2})$$

où

d est la distance minimale calculée d'isolement dans l'air pour supporter la contrainte d'un choc de foudre, en m;

K est le facteur d'intervalle du choc de manœuvre pour la configuration d'électrode à l'étude.

Il est important de mentionner que toutes les conditions de base et les limitations décrites dans l'Annexe F de l'IEC 60071-2:2018 demeurent valables et qu'il est nécessaire d'en tenir compte lors du calcul de la distance minimale exigée d'isolement dans l'air pour une certaine contrainte d'un choc de foudre.

B.3.2 Exemple de calcul

En admettant une tension de tenue exigée au choc de foudre de 1 425 kV et une configuration d'électrode de type conducteur-plan avec un facteur d'intervalle de 1,15:

$$\begin{aligned}
 \text{RLI WV} &= 1\,425 \text{ kV} \\
 \sigma &= 3 \% \\
 U_w &= 1\,425 \text{ kV} \\
 U_{50} &= \frac{U_w}{0,94} \text{ kV} = 1\,516 \text{ kV} \\
 d &= \frac{U_{50}}{(0,74 + 0,26 \times K) \times 530} = 2,753 \text{ m}
 \end{aligned}$$

La distance minimale calculée d'isolement dans l'air pour la configuration d'électrode de type conducteur-plan avec un facteur d'intervalle de 1,15 ne doit pas être inférieure à 2,753 m afin de supporter les contraintes d'un choc de foudre de 1 425 kV avec une probabilité de tenue de conception de 2σ .

Annexe C (normative)

Exemples de tensions en courant continu types avec les niveaux d'isolement possibles et les distances d'isolement dans l'air correspondantes

C.1 Remarques préliminaires

La présente Annexe C fournit une première suggestion pour la mise en correspondance entre les tensions en courant continu recommandées, les niveaux d'isolement possibles et les distances minimales d'isolement dans l'air. Pour les applications en courant continu et en particulier les réseaux CCHT, aucun niveau d'isolement normalisé n'est utilisé pour permettre l'optimisation du réseau global. La présente annexe donne un exemple de tension en courant continu à utiliser dans les réseaux CCHT, avec les niveaux d'isolement possibles et les distances d'isolement correspondantes. La plage de niveaux d'isolement fournie est donnée à l'utilisateur à titre informatif seulement et doit être interprétée comme telle. Les distances d'isolement et les niveaux de tension indiqués dans la présente Annexe C peuvent varier à l'avenir, selon la solution réseau et les innovations disponibles sur le terrain.

Les exemples donnés de tensions en courant continu assignées, de niveaux d'isolement possibles et des distances d'isolement dans l'air correspondantes ne s'appliquent qu'aux installations extérieures des réseaux CCHT. Ainsi, les installations intérieures comme le bâtiment des valves, les salles de bobines d'inductance ou les salles à courant continu sont exclues de manière explicite. En outre, si cela est raisonnable et économiquement faisable, d'autres valeurs de tension en courant continu, de niveau d'isolement et de distance d'isolement dans l'air peuvent être choisies.

Etant donné que l'expérience actuelle des tensions en courant continu en régime établi et des contraintes d'isolement repose essentiellement sur des applications CCHT, la tension en courant continu la plus faible recommandée est de 200 kV. Pour des tensions en courant continu plus faibles et les ultra-hautes tensions, par exemple 800 kV et 1 100 kV, il est recommandé d'effectuer une coordination de l'isolement en suivant les lignes directrices de l'IEC 60071-1 et l'IEC 60071-2.

C.2 Liste des tensions en courant continu types et des niveaux d'isolement possibles

Les valeurs de crête suivantes, exprimées en kV, sont suggérées comme tensions de tenue aux chocs spécifiées: 20, 40, 60, 75, 95, 125, 145, 170, 200, 250, 325, 380, 450, 550, 650, 750, 850, 950, 1 050, 1 175, 1 300, 1 425, 1 550, 1 675, 1 800, 1 950, 2 100, 2 250, 2 400, 2 550, 2 700, 2 900, 3 100.

Le Tableau C.1 montre à titre d'exemple la relation entre les tensions en courant continu types et les tensions de tenue présumées aux chocs de manœuvre et de foudre.

C.3 Exemples de niveaux d'isolement et de distances minimales d'isolement dans l'air présumés contre les chocs de manœuvre

Le Tableau C.2 fournit des exemples de distances minimales d'isolement phase-terre pour différents niveaux de tension de tenue aux chocs de manœuvre. Ces distances sont calculées selon les méthodes décrites à l'Article B.2. Les distances minimales d'isolement dans l'air sont calculées pour la configuration d'électrode pointe-structure en admettant par hypothèse un facteur d'intervalle de référence de 1,1, ainsi que pour la configuration conducteur-structure avec un facteur d'intervalle de référence de 1,3. Les conditions atmosphériques de référence normalisées selon l'IEC 60060-1 sont prises en compte.

Les distances d'isolement peuvent être plus faibles s'il a été démontré sur des configurations réelles ou analogues que les tensions de tenue normalisées aux chocs sont respectées. Les distances ne s'appliquent pas au matériel dont la spécification inclut un essai de type de tenue au choc, car des distances obligatoires peuvent pénaliser la conception du matériel, accroître son coût et freiner le progrès.

Les distances d'isolement peuvent aussi être plus faibles lorsqu'il a été confirmé par le retour d'expérience et/ou la conception du réseau que les surtensions sont inférieures aux valeurs indiquées dans le tableau, ou que la configuration d'intervalle est plus favorable que celle admise pour définir les distances recommandées.

**Tableau C.1 – Tensions en courant continu
types et tension de tenue aux chocs de manœuvre/foudre**

Tension en courant continu type kV	Tension de tenue assignée présumée au choc de manœuvre kV (valeur de crête)	Tension de tenue assignée présumée au choc de foudre kV (valeur de crête)
200	550	550
		650
250	550	550
		650
	650	650
		750
320	650	650
		750
	750	750
		850
		850
		950
400	850	850
		950
	950	950
		1 050
		1 175
500/525 ^a	950	950
		1 050
	1 050	1 050
		1 175
		1 175
		1 300
		1 425
600	1 175	1 175
		1 300
	1 300	1 300
		1 425
		1 425
		1 550
800	1 550	1 550
		1 675
	1 675	1 675
		1 800
		1 950

Les valeurs correspondantes doivent être choisies en fonction de la configuration de réseau spécifique.

Tension en courant continu type kV	Tension de tenue assignée présumée au choc de manœuvre kV (valeur de crête)	Tension de tenue assignée présumée au choc de foudre kV (valeur de crête)
^a Une tension de 500 kV ou 525 kV s'applique.		

Tableau C.2 – Correspondance entre les tensions de tenue assignées présumées au choc de manœuvre et les distances minimales d'isolement dans l'air phase-terre

Tension de tenue assignée présumée au choc de manœuvre kV	Distance minimale d'isolement phase-terre			
	mm			
	$N = 1,3^b$		$N = 2$	
-	Pointe-structure	Conducteur-structure	Pointe-structure	Conducteur-structure
550	1 150	-	1 250	1 000
650	1 500	1 150	1 700	1 250
750	1 900	1 600	2 100	1 600
850	2 400	1 800	2 600	2 000
950	2 900	2 200	3 100	2 400
1 050	3 400	2 600	3 700	2 800
1 175	4 100	3 100	4 400	3 300
1 300	4 800	3 600	5 200	4 000
1 425	5 600	4 200	6 100	4 600
1 550	6 400	4 900	7 000	5 300
1 675	7 400 ^a	5 600 ^a	7 900	6 000
1 800	8 300 ^a	6 300 ^a	9 000	6 800
1 950	9 500 ^a	7 200 ^a	10 200	7 800

^a Valeurs indicatives encore à l'étude.

^b Les valeurs ont été arrondies pour s'aligner sur l'IEC 60071-1.

C.4 Exemples de niveaux d'isolement et de distances minimales d'isolement dans l'air présumés contre les chocs de foudre

Le Tableau C.3 fournit des exemples de distances minimales d'isolement phase-terre pour différents niveaux de tension de tenue aux chocs de foudre. Ces distances sont calculées selon les méthodes décrites à l'Article B.3. Les distances minimales d'isolement dans l'air sont calculées pour la configuration d'électrode pointe-structure en admettant par hypothèse un facteur d'intervalle de référence de 1,1, ainsi que pour la configuration conducteur-structure avec un facteur d'intervalle de référence de 1,3. Les conditions atmosphériques de référence normalisées selon l'IEC 60060-1 sont prises en compte.

Les distances d'isolement peuvent être plus faibles s'il a été démontré sur des configurations réelles ou analogues que les tensions de tenue normalisées aux chocs sont respectées. Les distances ne s'appliquent pas au matériel dont la spécification inclut un essai de type de tenue au choc, car des distances obligatoires peuvent pénaliser la conception du matériel, accroître son coût et freiner le progrès.

Les distances d'isolement peuvent aussi être plus faibles lorsqu'il a été confirmé par le retour d'expérience et/ou la conception du réseau que les surtensions sont inférieures aux valeurs indiquées dans le tableau, ou que la configuration d'intervalle est plus favorable que celle admise pour définir les distances recommandées.

C.5 Tensions de tenue spécifiées possibles/présumées en courant continu

C.5.1 Généralités

Afin d'orienter davantage la normalisation du niveau d'isolement, les valeurs recommandées pour les tensions de tenue de l'isolement sont fournies en C.5.2 et C.5.3 à titre informatif.

C.5.2 Tensions de tenue spécifiées en courant continu

Selon la situation pratique actuelle du projet CCHT, il est suggéré d'appliquer 1,5 fois la tension nominale du réseau à courant continu (U_n) afin de déterminer la tension de tenue spécifiée en courant continu (U_w), ce qui signifie: $U_w = 1,5 \times U_n$, si cela n'est pas spécifié par les comités de produit concernés.

C.5.3 Liste des tensions de tenue à fréquence industrielle spécifiées

Pour le matériel installé côté courant alternatif d'un réseau CCHT, les valeurs efficaces doivent être issues du 5.6 de l'IEC 60071-1:2019.

Tableau C.3 – Correspondance entre les tensions de tenue assignées présumées au choc de foudre et les distances minimales d'isolement dans l'air phase-terre

Tension de tenue assignée présumée au choc de foudre kV	Distance minimale d'isolement phase-terre			
	mm			
	$N = 1,3^a$		$N = 2$	
-	Pointe-structure	Conducteur-structure	Pointe-structure	Conducteur-structure
550	1 100	-	1 100	-
650	1 300	-	1 300	-
750	1 500	-	1 500	-
850	1 700	1 600	1 700	1 600
950	1 900	1 700	1 900	1 800
1 050	2 100	1 900	2 100	2 000
1 175	2 350	2 200	2 300	2 200
1 300	2 600	2 400	2 600	2 500
1 425	2 850	2 600	2 800	2 700
1 550	3 100	2 900	3 100	2900
1 675	3 350	3 100	3 300	3 100
1 800	3 600	3 300	3 600	3 400
1 950	3 900	3 600	3 900	3 700
2 100	4 200	3 900	4 100	3 900

^a Les valeurs ont été arrondies pour s'aligner sur l'IEC 60071-1.

Annexe D (informative)

Caractéristiques types des parafoudres

La Figure D.1 [1] représente les caractéristiques types des parafoudres à oxyde métallique sans éclateur, utilisées dans les études de coordination de l'isolement. L'axe des abscisses (x) représente le courant de coordination en ampères. L'axe des ordonnées (y) représente la tension de protection par unité (p.u.) de la valeur de protection aux surtensions à front rapide de 10 kA.

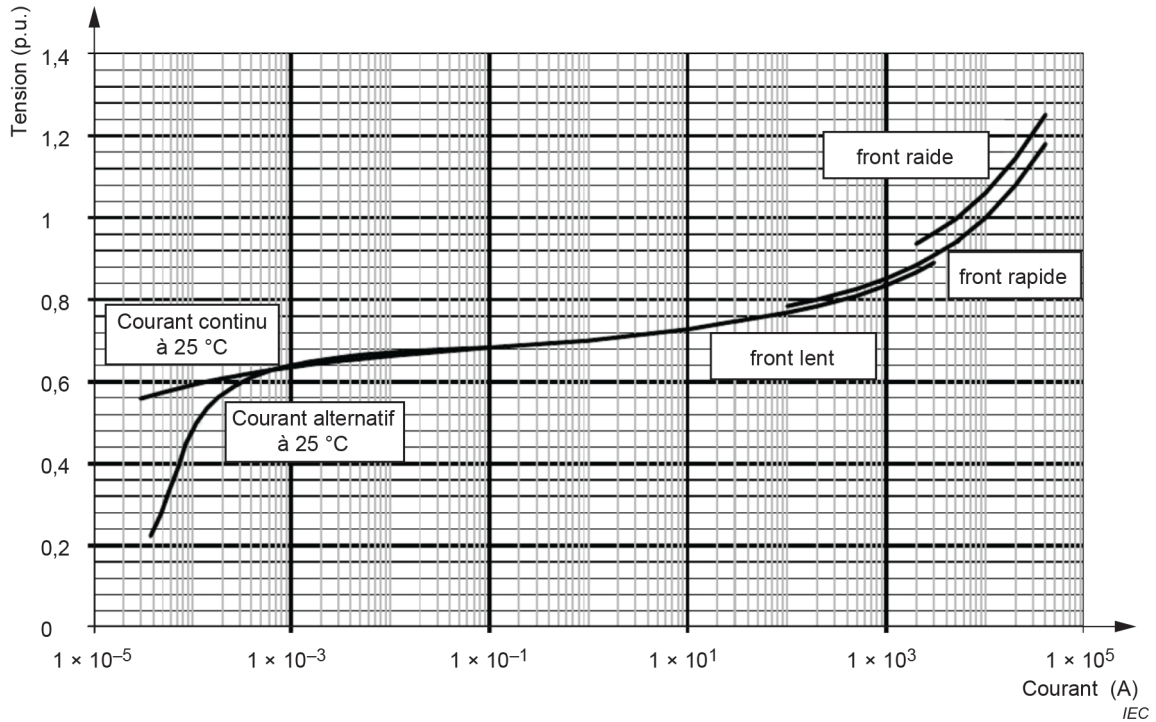


Figure D.1 – Caractéristiques tension-intensité d'un parafoudre

Annexe E (informative)

Correspondance entre les articles/ paragraphes de l'IEC 60071-11 et ceux de l'IEC 60071-5:2014

La correspondance entre les articles/paragraphes de l'IEC 60071-11 et ceux de l'IEC 60071-5:2014 est la suivante:

IEC 60071-11	IEC 60071-5:2014
1 Domaine d'application	1
2 Références normatives	2
3 Termes et définitions	3
4 Symboles et abréviations	4
4.1 Généralités	4.1
4.2 Indices	4.2
4.3 Symboles littéraux	4.3
4.4 Abréviations	4.4
5 Principes relatifs à la coordination de l'isolement	6
5.1 Généralités	6.1
5.2 Différences fondamentales entre les réseaux à courant alternatif et à courant continu	6.2
5.3 Procédure de coordination de l'isolement	6.3
5.4 Différences relatives au choix de la tension de tenue dans les réseaux à courant alternatif et à courant continu	6.4
6 Procédure de conception de la coordination de l'isolement	9
6.1 Généralités	9.1
6.2 Caractéristiques des parafoudres	8.1
6.3 Caractéristiques de l'isolation	9.3
6.4 Détermination des surtensions représentatives (U_{rp})	9.4
6.5 Détermination des tensions de tenue de coordination (U_{cw})	9.5
6.6 Détermination des tensions de tenue exigées (U_{rw})	9.6
6.7 Détermination de la tension de tenue spécifiée (U_w)	9.7
7 Exigences relatives aux essais de tension de tenue	-
8 Lignes de fuite	11
8.1 Généralités	11.1
8.2 Tension de base pour la ligne de fuite	11.2
8.3 Ligne de fuite pour l'isolation extérieure sous tension en courant continu	11.3
8.4 Ligne de fuite pour l'isolation intérieure sous tension en courant continu ou tension mixte	11.4
8.5 Ligne de fuite des isolateurs en courant alternatif	11.5
9 Distances d'isolement dans l'air	12
Annexe A (informative) Plans types de protection des parafoudres des postes de conversion CCHT	
Annexe B (informative) Exemple de calcul des distances d'isolement dans l'air	
Annexe C (normative) Exemples de tensions en courant continu types avec les niveaux d'isolement possibles et les distances d'isolement dans l'air correspondantes	
Annexe D (informative) Caractéristiques types des parafoudres	Annexe D
Annexe E (informative) Correspondance entre les articles/paragraphes de l'IEC 60071-11 et ceux de l'IEC 60071-5:2014	

Bibliographie

- [1] IEC 60071-5:2014, *Coordination de l'isolement – Partie 5: Procédures pour les stations de conversion à courant continu haute tension (CCHT)*
- [2] IEC 60700-1:2015, *Valves à thyristors pour le transport d'énergie en courant continu à haute tension (CCHT) – Partie 1: Essais électriques*
- [3] IEC 60633, *Transport d'énergie en courant continu à haute tension (CCHT) – Vocabulaire*
- [4] EPRI. Handbook for insulation coordination of high-voltage DC converter stations. Rapport EPRI n° EL-5414. Palo Alto, CA: EPRI, 1987
- [5] DIN VDE V 0210-9 C. Neumann, A. Wasserrab, G. Balzer, B. Rusek, S. Steevens, K. Kleinekorte "Aspects of insulation coordination for DC links using hybrid lines" Paper 119, Colloque 2016 du CIGRE et de l'IEC, Montréal
- [6] EPRI. Insulation coordination (Chapitre 11). Dans: High-voltage direct current handbook. Publication EPRI n° TR-104166. Palo Alto, CA: EPRI, 1994
- [7] Melvold, D. DC arrester test philosophies on recent HVDC projects as used by various suppliers. IEEE Transactions on Power Delivery. 1991, 6(2), 672-679
- [8] IEEE. Bibliography on overvoltage protection and insulation co-ordination of HVDC converter stations, 1979-1989. IEEE Transactions on Power Delivery. 1991, 6(2), 744-753
- [9] CIGRE. Guidelines for the application of metal-oxide arresters without gaps for HVDC converter stations. CIGRE 33/14.05, publication 34. Paris: CIGRE, 1989
- [10] Elahi, H. et al. Insulation coordination process for HVDC converter stations: preliminary and final designs. IEEE Transactions on Power Delivery. 1989, 4(2), 1037-1048
- [11] CIGRE. Application guide for insulation coordination and arrester protection of HVDC converter stations. 33.05, Electra n° 96. Paris: CIGRE, 1984, 101-156
- [12] EPRI. Handbook for insulation coordination of high-voltage DC converter stations. Rapport EPRI n° EL-5414. Palo Alto, CA: EPRI, 1987
- [13] IEEE. Insulation Coordination Designs of HVDC Converter Installations. IEEE Transactions on Power Apparatus and Systems. 1979, PAS-98(5), 1761-1776
- [14] IEEE. Modeling guidelines for fast-front transients. IEEE Transactions on Power Delivery. 1996, 11(1), 493–506
- [15] CIGRE. Guidelines for representation of network elements when calculating transients. Brochure technique n° 39 du CIGRE. Paris: CIGRE
- [16] CIGRE. Guide to procedures for estimating the lightning performance of transmission lines. Brochure technique n° 63 du CIGRE. Paris: CIGRE, 1991
- [17] Jonsson T. et Björklund P-E, Capacitor commutated converters for HVDC. SPTPE 02-03-0366 IEEE/KTH. Conférence Stockholm Power Tech., juin 1995

- [18] Sadek, K. et al. Capacitor commutated converter circuit configurations for d.c. transmission. IEEE Transactions on Power Delivery. 1998, 13(4), 1257-1264
 - [19] EPRI. Transmission Line Reference Book, 345 kV and Above. 2^e éd. Palo Alto, CA:EPRI, 1982
 - [20] IEC 60099-5:2018, *Parafoudres – Partie 5: Recommandations pour le choix et l'utilisation*
 - [21] IEC 60505:2011, *Evaluation et qualification des systèmes d'isolation électrique*
 - [22] IEC 60721-3-0:2020, *Classification des conditions d'environnement – Partie 3-0: Classification des groupements des agents d'environnement et de leurs sévérités – Introduction*
 - [23] IEC TR 60919-2:2008, *Fonctionnement des systèmes à courant continu haute tension (CCHT) munis de convertisseurs commutés par le réseau – Partie 2: Défauts et manœuvres*
 - [24] Association canadienne de l'électricité. Performance of Metal Oxide Gapless Surge Arresters for HVDC Systems: Phase I. Rapport 214 T 565, septembre 1990
 - [25] IEC TS 60815-4:2016, *Selection and dimensioning of high-voltage insulators intended for use in polluted conditions – Part 4: Insulators for d.c. systems* (disponible en anglais seulement)
 - [26] IEC TS 60815 (toutes les parties), *Selection and dimensioning of high-voltage insulators intended for use in polluted conditions* (disponible en anglais seulement)
-

INTERNATIONAL
ELECTROTECHNICAL
COMMISSION

3, rue de Varembé
PO Box 131
CH-1211 Geneva 20
Switzerland

Tel: + 41 22 919 02 11
info@iec.ch
www.iec.ch