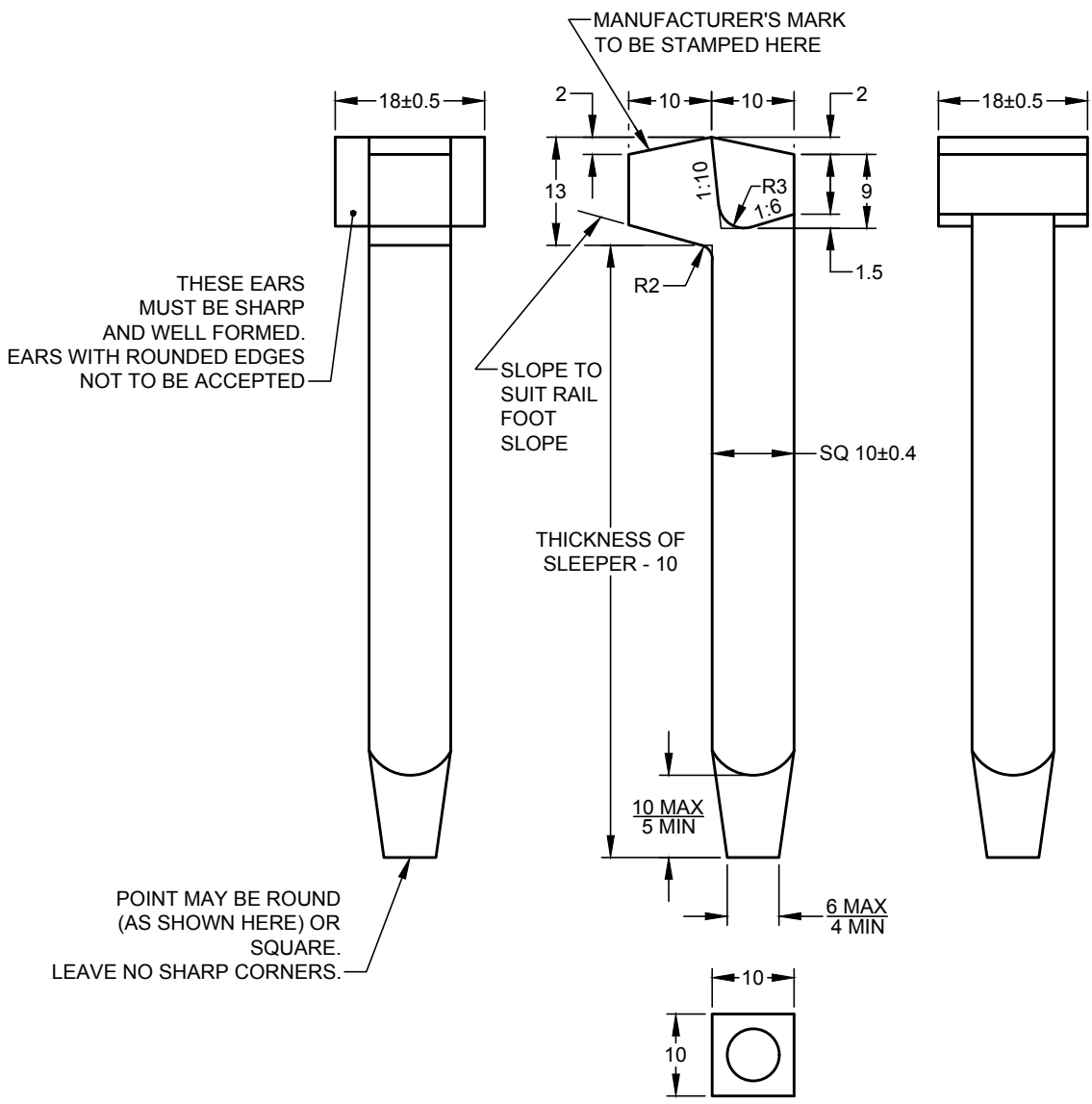


All dimensions in millimetres.



All dimensions in millimetres.