

Ahead Cell Technology Co. Ltd. LITHIUM BATTERY

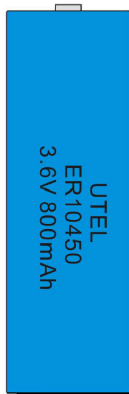
ER10450

AAA size bobbin cell (energy type)

Technical Datasheet

The Utel Advantage

Better technology. Our batteries enable us to design leading-edge solutions for the world's most demanding applications.



Part No	ER10450 (Li-SOCI2)
Model Size	AAA
Voltage Range	2.0 to 3.7V
Nominal Voltage	3.6V
Nominal Capacity	>800mAh (2V Cutoff Voltage@ 1mA)
Max. Discharge	5 mA continuous
Low Self Discharge	Less Than 1% Per Year at Storage Temp 25°C
Max. Pulse Current	>25mA Time 2 Sec
Service Life	15 Years at Storage Temp 25°C
Operating Temp	-10°C to +50°C
Storage Temp	-20°C to +70°C Max
Terminals	As per ECIL drawing G07787-A4
UL	20170804-MH49354

FEATURES

- High and stable operating voltage
- Superior drain capacity
- Low self discharge rate
(Less than 1% after 1 year of storage at 25°C)
- Hermetic glass-to-metal sealing
- Non-flammable electrolyte

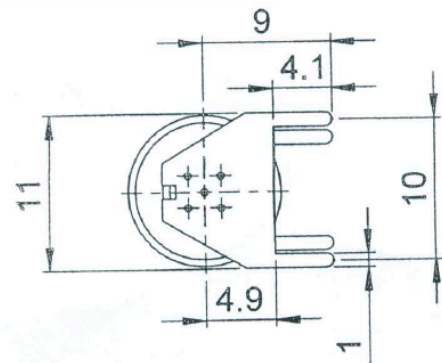
APPLICATION

- Radio communication and other military applications
- Alarms and security systems
- Transmitters
- GPS
- LED lighting applications
- others

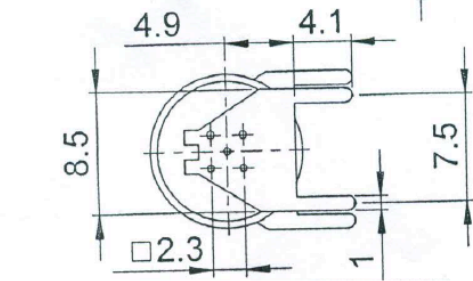
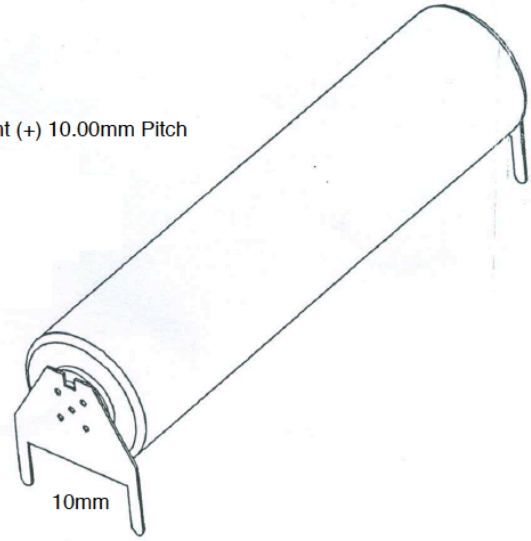
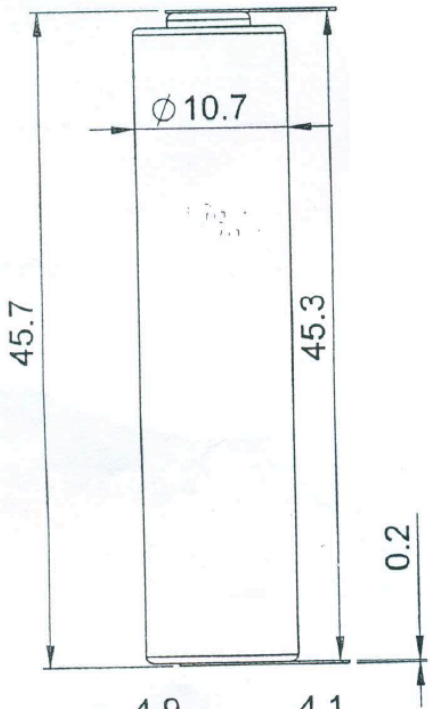
Utel Technology Ltd.

Room 20A, Kiu Fu Commercial Building, 300 Lockhart Road, Wanchai, Hong Kong
 Tel: 0086 755 89478100 Fax: 0086 755 89478066 E-mail: jasmine@uteltechnology.com

TABS



Pin Pitch Front (+) 10.00mm Pitch



Pin Pitch Rear (-) 7.60mm

Utel Technology Ltd.

Room 20A, Kiu Fu Commercial Building, 300 Lockhart Road, Wanchai, Hong Kong
Tel: 0086 755 89478100 Fax: 0086 755 89478066 E-mail: jasmine@uteltechnology.com