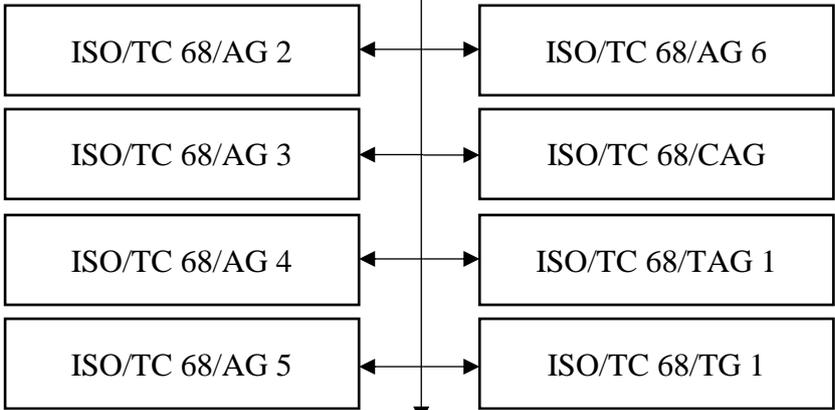
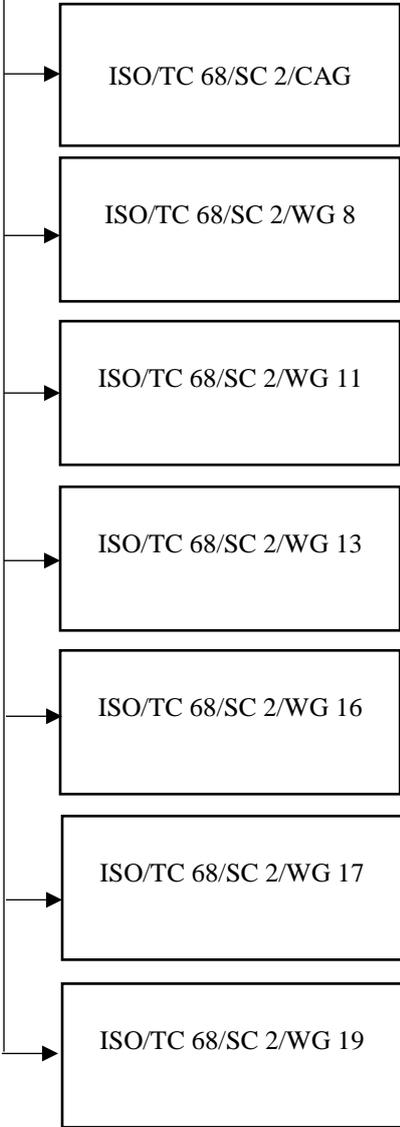


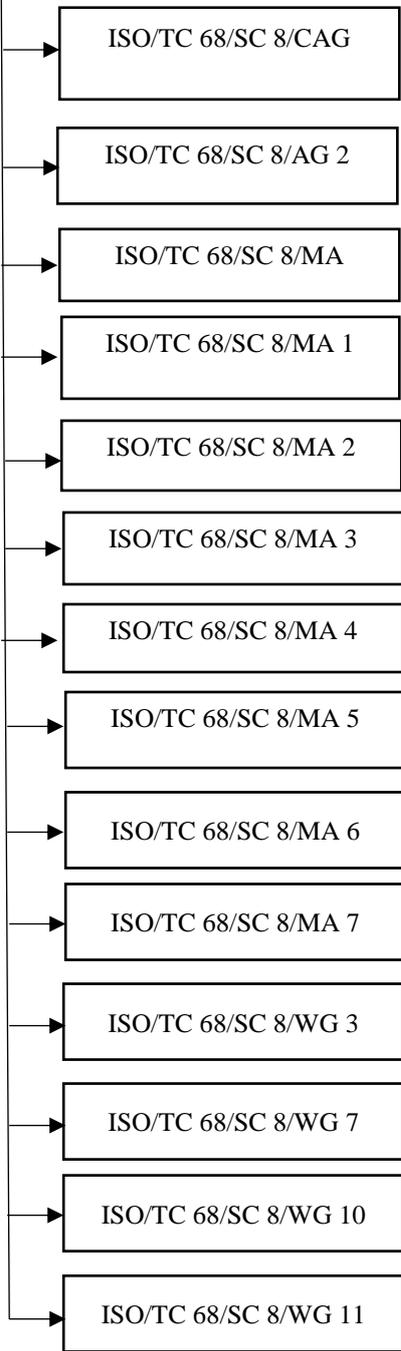
ISO/TC 68 Financial Services



ISO/TC 68/SC 2
Financial Services, security



ISO/TC 68/SC 8
Reference data for financial services



ISO/TC 68/SC 9
Information exchange for financial services



Working Groups of ISO/TC 68 Financial services:

ISO/TC 68/AG 2	Standards Advisory Group
ISO/TC 68/AG 3	Best practices
ISO/TC 68/AG 4	Sustainable finance Advisory Group
ISO/TC 68/AG 5	Digital currencies
ISO/TC 68/AG 6	Artificial intelligence
ISO/TC 68/CAG	Strategic Leadership Group
ISO/TC 68/TAG 1	Fintech Technical Advisory Group
ISO/TC 68/TG 1	Communications

Working Groups of ISO/TC 68/SC 2 - Financial Services, security:

ISO/TC 68/SC 2/CAG	Chair's Advisory Group
ISO/TC 68/SC 2/WG 8	Public key infrastructure management for financial services
ISO/TC 68/SC 2/WG 11	Encryption algorithms used in banking applications
ISO/TC 68/SC 2/WG 13	Security in retail banking
ISO/TC 68/SC 2/WG 16	Security aspects related to third party payment service providers (TPP's)
ISO/TC 68/SC 2/WG 17	Security aspects of digital currencies
ISO/TC 68/SC 2/WG 19	Security aspects of code-scanning payment

Working Groups of ISO/TC 68/SC 8 Reference data for financial services:

ISO/TC 68/SC 8/AG 2	Instrument Identifier Advisory Group
ISO/TC 68/SC 8/CAG	Chair's Advisory Group
ISO/TC 68/SC 8/MA (Voting Members)	ISO 20275 Maintenance Agency
ISO/TC 68/SC 8/MA 1 (Voting Members)	ISO 4217 Maintenance Agency
ISO/TC 68/SC 8/MA 2 (Discussions)	ISO 4217 Maintenance Agency
ISO/TC 68/SC 8/MA 3 (Discussions)	ISO 20275 Maintenance Agency
ISO/TC 68/SC 8/MA 4 (Voting members)	ISO 10962 Maintenance Agency
ISO/TC 68/SC 8/MA 5 (Discussions)	ISO 10962 Maintenance Agency
ISO/TC 68/SC 8/MA 6 (Voting members)	ISO 5009 Maintenance Agency
ISO/TC 68/SC 8/MA 7 (Discussions)	ISO 5009 Maintenance Agency
ISO/TC 68/SC 8/WG 3	Digital Token Identifier – DTI
ISO/TC 68/SC 8/WG 7	Natural persons identifier
ISO/TC 68/SC 8/WG 10	Revision of the FISN
ISO/TC 68/SC 8/WG 11	Verifiable LEIs (vLEIs)

Working Groups of ISO/TC 68/SC 9 Information exchange for financial services:

ISO/TC 68/SC 9/AG 1	ISO 20022 RA Oversight Group
ISO/TC 68/SC 9/MA 1	MA ISO 18245 Retail financial services - Merchant category codes
ISO/TC 68/SC 9/MA 2	ISO 8583 Financial-transaction-card-originated messages -Interchange message specifications
ISO/TC 68/SC 9/TG 1	Cards standards
ISO/TC 68/SC 9/WG 1	ISO 20022 Semantic Models
ISO/TC 68/SC 9/WG 4	ISO 20022 Revision
ISO/TC 68/SC 9/WG 5	Improving transparency in financial and business reporting - Harmonization